

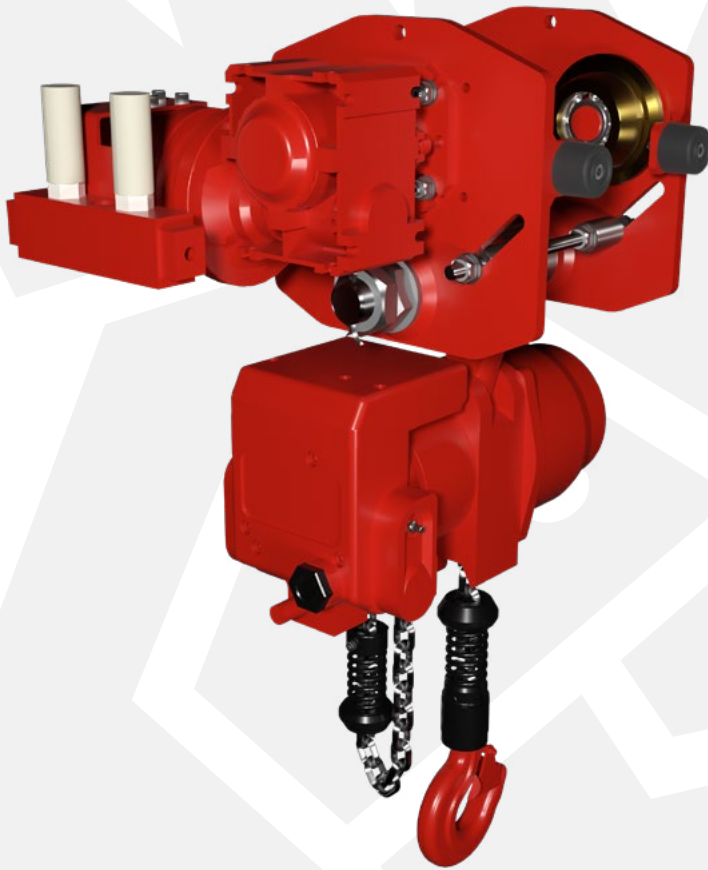
# TCR-1000-AT2S AIR HOIST & TROLLEY

The **TCR-1000-AT2S** is a 1 tonne chain hoist and trolley from Red Rooster Lifting. This is part of our air hoist and trolley range for lifting equipment applications in industry.



**RED ROOSTER  
LIFTING**

RAISING EXPECTATIONS



The **Red Rooster Lifting** TCR series of air hoist and trolleys offer a comprehensive range of lifting equipment suited to all types of industrial and marine environments. Red Rooster Lifting hoists are the perfect lifting solution for where the duty is high, or where a robust hoist is required to withstand harsh conditions. The hoists comply with the European Machinery Directive and are all CE marked.

## STANDARD FEATURES

- Toku rotary vane motor
- ATEX zone 2 specification
- Robust epicycle gearbox
- Failsafe automatic internal disc brake
- Choice of pendant controls or control stations
- Upper & lower limit switches
- Cast steel housing
- Internal silencing down to 83 dB(A)
- Alloy safety swivel hooks with safety catch
- Load chain of European manufacture to EN818-7
- Automatic load limiter
- Trolley to suit various flange profiles
- Anti-tilt & anti-drop plates
- High efficiency motor gearbox
- Heavy duty sealed wheel bearings
- Wheel profile to suit parallel or tapered flanges

## AVAILABLE OPTIONS

- Marine specification
- Special paint systems
- Collision bumpers
- ATEX zone 1 specification
- Chain collectors (PVC, galvanised or stainless steel)
- Articulated trolley
- Low headroom units
- Rack & pinion drive
- Travel limits
- Air service units
- Festoon systems
- Radio control remote
- Optional travel speeds
- Beam brake



**ATEX ZONE 2  
AS STANDARD**

T: +44 (0) 1651 872101  
sales@redroosterlifting.com

**REDROOSTERLIFTING.COM**

Red Rooster Lifting Limited Nauta House, The Meadows, Oldmeldrum, Inverurie, Aberdeenshire, UK, AB51 0EZ



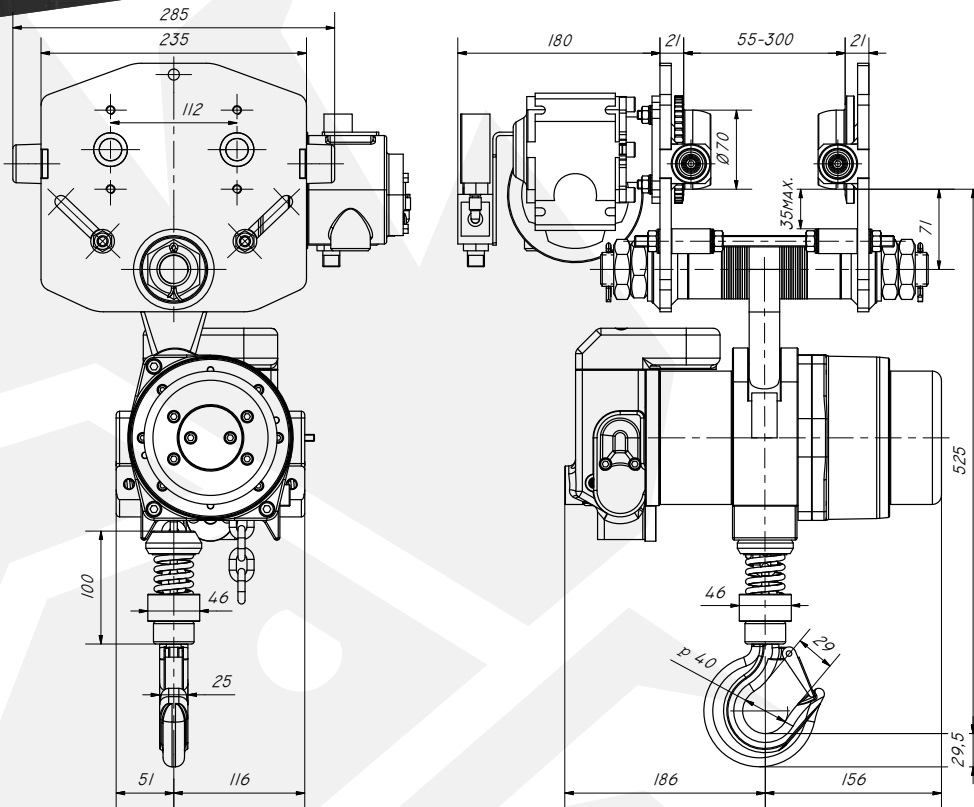
# TCR-1000-AT2S AIR HOIST & TROLLEY

**RED ROOSTER  
LIFTING**

RAISING EXPECTATIONS

## DIMENSIONS

All measurements are in mm  
Information subject to change without notice



HOIST MODEL	TCR-1000-AT2S	TROLLEY MODEL	AT2S
WLL	1000 kg	G.A. DRAWING	1500-28
CHAIN FALLS	1	FLANGE	55-140
LIFTING SPEED FULL LOAD	6.0 m/min	RANGE 1	140-220
LIFTING SPEED WITHOUT LOAD	11.3 m/min	RANGE 2	220-300
MAX AIR CONSUMPTION (L/SEC)	25	RANGE 3	
WORKING PRESSURE	6 bar	STANDARD TROLLEY TEMP RANGE	-10 to +50°C
AIR CONNECTION	1/2" BSP	OPTIONAL TROLLEY TEMP RANGE	-20 to +70°C
MINIMUM HOSE DIA.	1/2"	TRAVEL SPEED (M/MIN)	9 m/min*
WEIGHT 3M HOL & TROLLEY	61 kg	ATEX ZONE 1 TRAVEL SPEED (M/MIN)	6 m/min
ADDITIONAL METRE HOL	1.1 kg	WHEEL MATERIAL	Steel
		ATEX WHEEL MATERIAL	Bronze
		MINIMUM BEND RADIUS (M)	1.5
		NUMBER OF WHEELS	4
		DRIVEN WHEELS	2
		MAX AIR CONSUMPTION	25 l/sec
		HOSE ID TROLLEY	1/2"

AT\_S = STANDARD AT\_ATX = ATEX  
\*Optional Travel Speed of 14 m/min

T: +44 (0) 1651 872101  
sales@redroosterlifting.com