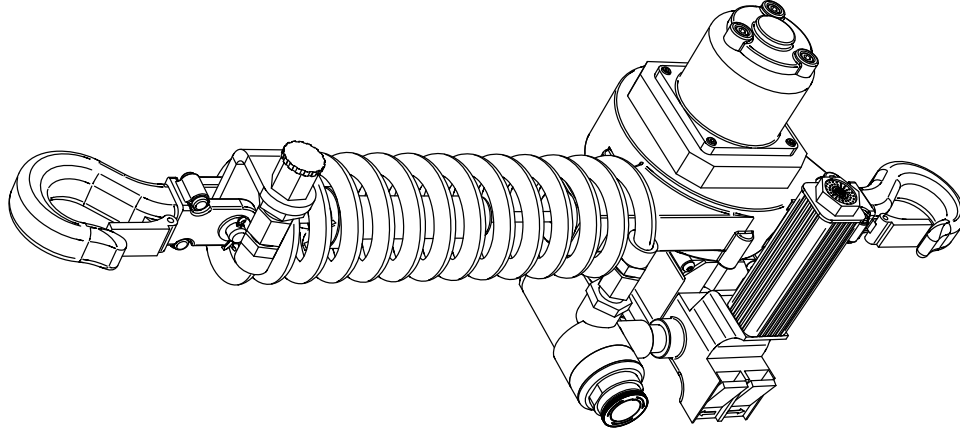
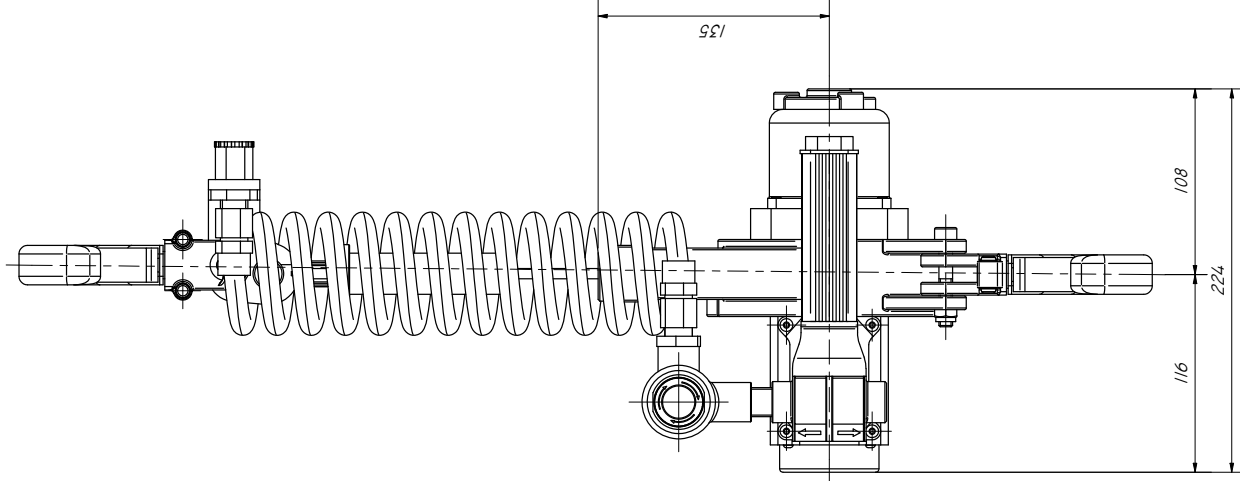
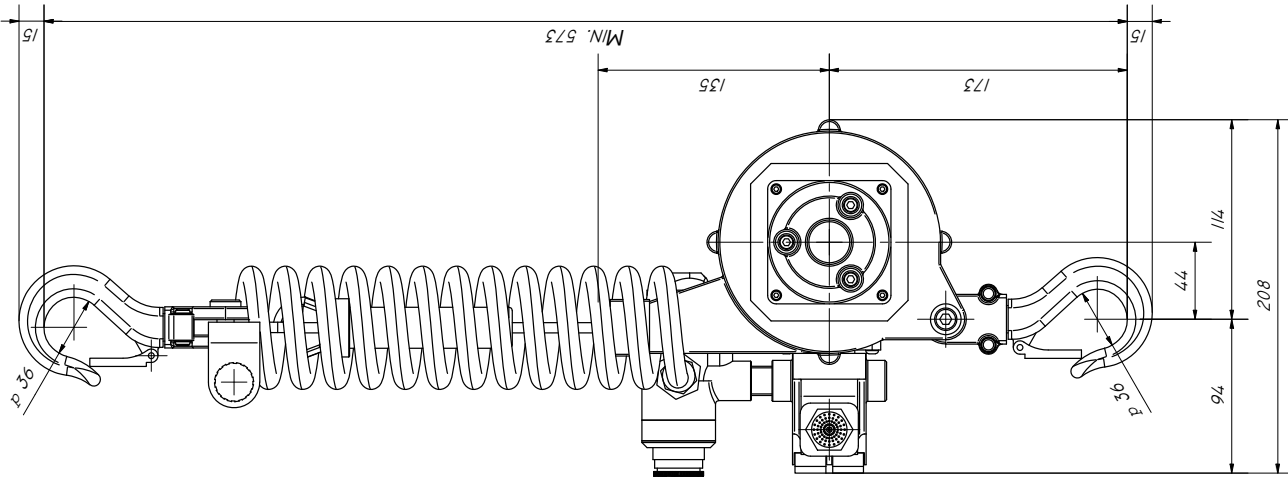
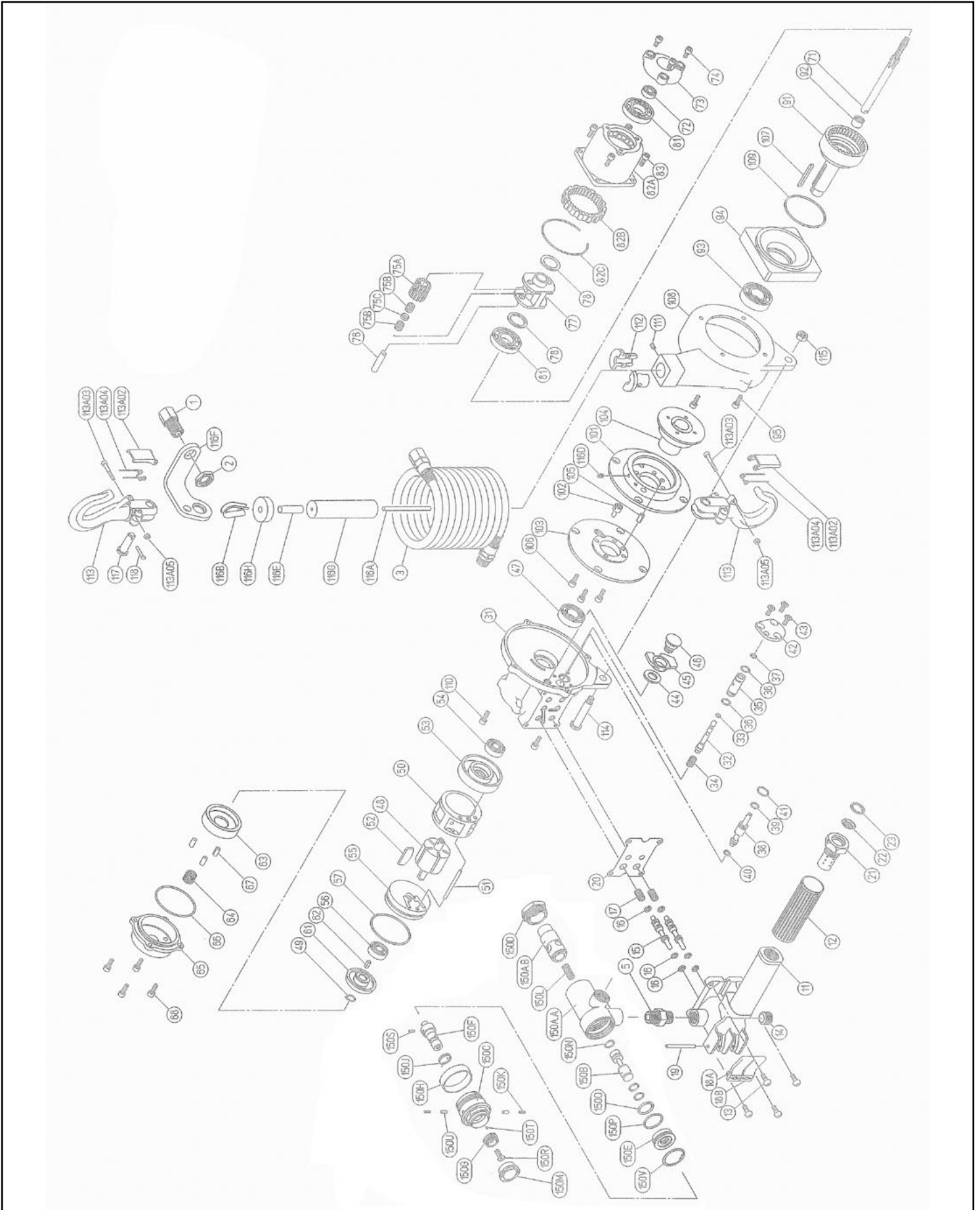


REVISION HISTORY	
REV.	DATE
0	APPROVED



SCALE		MATERIAL		TITLE OF PART		PART NUMBER	
1:3				GENERAL ASSEMBLY		DRG 1368D-24	
DESIGNED BY	ADAM MICALA	DATE	01/10/2010	DATE	26/01/2018	UNLESS OTHERWISE SPECIFIED	
DRAWN BY	E. CRICHTON	DATE	26/01/2018	REVISION	0	ALL DIMENSIONS ARE IN MILLIMETERS	
CHECKED BY	B. AITKEN			REVISION WEIGHT	0	TOLERANCES	
APPROVED BY				REPLACES DRAWING	N/A	±0.10 P.D. ±0.05 OVER 0.5 UP TO 100 ±0.1 OVER 100 UP TO 500 ±0.15 OVER 500 UP TO 1000 ±0.2 OVER 1000 ±0.3	
SHEET SIZE	A3	TITLE OF PROJECT		REPLACES DRAWING		SURFACE FINISHES	
		TMM-140				ANGULAR ±0.5° SURFACE FINISHES \sqrt{R}	
				PROFILE NUMBER		IF IN DOUBT ASK	



Hoist Body - TMM-140AE

D01-AH19 REV0 10.04.22

Fig. No.	Part Number	Part Name	Parts Per Hoist	Fig. No.	Part Number	Part Name	Parts Per Hoist
1	420982WAO	AIR INLET	1	63	420982EF2	BRAKE PISTON	1
2	420982WBO	AIR INLET LOCK NUT	1	64	130802105	BRAKE SPRING	1
3	137201006	AIR HOSE	1	65	420982KA0	BRAKE CASE	1
5	135004003	3/8 NIPPLE	1	66	131103041	O-RING S-55	1
11	420985ACB	THROTTLE VALVE BODY CP	1CP	67	130606012	SPRING PIN Ø6X12	3
11.A	420985ACO	THROTTLE VALVE BODY	1	68	131905014	BUTTON HEAD SCREW M5X14	4
11.B	420982ADO	THROTTLE VALVE BUSH	2	71	420985GK0	DRIVE PINION	1
12	136608140	THROTTLE VALVE BODY GRIP	1	72	130101007	BEARING 607	1
13	131905014	BUTTON HEAD SCREW M5X14	4	73	420982FK0	GEAR CASE COVER	1
14	134901103	GM PLUG (PT3/8)	1	74	131705011	HEX. SOCKET CAP SCREW M5X10	3
15	420985AAO	THROTTLE VALVE	2	75	420985FLC	IDLE GEAR CP	2CP
16	131108004	O-RING P-6 (HS90°)	6	75.A	420982FL0	IDLE GEAR	1
17	130802076	THROTTLE VALVE SPRING	2	75.B	130170012	NEEDLE BEARING KT81110	2
18.A	420985UYO	THROTTLE VALVE LEVER A	1	75.C	420982FP0	IDLE GEAR RING	1
18.B	420985UZ0	THROTTLE VALVE LEVER B	1	76	420982FN1	IDLE GEAR SHAFT	2
19	130402030	LEVER PIN Ø4X46	1	77	420982FU1	IDLE GEAR FRAME	1
20	136102079	THROTTLE BODY PACKING	1	78	420982FW0	IDLE GEAR FRAME SPACER	2
21	420982BLO	MUFFLER	1	81	130116004	BEARING 16004	2
22	136801001	SCREEN	1	82	420982FJA	GEAR CASE CP	1CP
23	130301020	RETAINING RING H-20	1	82.A	420982FJ0	GEAR CASE	1
31	420985BGO	MOTOR CASE	1	82.B	420982GH0	INTERNAL GEAR	1
32	420985850	STOP VALVE PIN	1	82.C	130802103	INTERNAL GEAR RING	1
33	131103002	O-RING S-4	1	83	131905014	BUTTON HEAD SCREW M5X14	4
34	130802073	STOP VALVE SPRING	1	91	420985GL0	LOAD GEAR	1
35	420985780	STOP VALVE PIN BUSH	1	92	130151010	NEEDLE BEARING TLA-1010	1
36	131103008	O-RING S-10	2	93	130106005	BEARING 6004ZZ	1
37	131103004	O-RING S-6	1	94	420985990	GEAR CASE ADAPTER	1
38	420985W30	STOP VALVE	1	95	131705014	HEX. SOCKET CAP SCREW M5X14	4
39	131103007	O-RING S-9	1	101	420985WD0	GEAR SIDE WHEEL	1
40	131103005	O-RING S-7	1	102	420985L10	KNOCK PIN	1
41	131103012	O-RING S-14	1	103	420985WE0	MOTOR SIDE WHEEL	1
42	420985980	STOP VALVE COVER PLATE	1	104	420985600	WHEEL SHAFT	1
43	132805010	HEX. SOCKET CSK MACHINE SCREW M5X10	3	105	130606012	SPRING PIN Ø6X12	1
44	131309012	WASHER M12	1	106	131705014	HEX. SOCKET CAP SCREW M5X14	4
45	420985740	CAM	1	107	130408067	GEAR SIDE WHEEL KEY	1
46	420985970	CAM SHAFT	1	108	420985WG0	WHEEL COVER	1
47	130106004	BEARING 6003ZZ	1	109	131103042	O-RING S-56	1
48	420982BP1	ROTOR	1	110	131705014	HEX. SOCKET HEAD SCREW M5X14	4
49	130302010	RETAINING RING S-10	1	111	132305008	HEX. SOCKET SET SCREW M5X8	1
50	420982BT1	CYLINDER	1	112	136302027	ROPE GUIDE BUSH	2
51	130402031	CYLINDER KNOCK PIN Ø4X52.5	1	113	420982PAF	HOOK CP	2CP
52	137102013	VANE	5	113.A	420982PAE	HOOK	1
53	420985170	FRONT PLATE	1	113.A.01	420982PF1	HOOK	1
54	130106001	BEARING 6000ZZ	1	113.A.02	420620P11	SAFETY CATCH	1
55	420985180	REAR PLATE	1	113.A.03	131704028	HEX. SOCKET HEAD SCREW M4X28	1
56	130104001	BEARING 6000	1	113.A.04	130802046	SAFETY CATCH SPRING	1
57	131103041	O-RING S-55	1	113.A.05	134501004	U-NUT M4	1
61	420982E10	BRAKE WHEEL	1	113.B	420601PG0	HOOK END PIECE	1
62	130408062	BRAKE WHEEL KEY	1	113.C	133206020	ROUND RIVET Ø6X20	2

Hoist Body - TMM-140AE

D01-AH19 REV0 10.04.22

Fig. No.	Part Number	Part Name	Parts Per Hoist
114	420982QE0	UNDER HOOK BOLT	1
115	134501008	U-NUT M8	1
116	420985SAC	UPPER HOOK PLATE CP	1CP
116.A	137502028	WIRE ROPE A7X19 M4X2.8m	1
116.B	137502026	THIMBLE Ø5	1
116.D	132106008	HEX. SOCKET SET SCREW M6X8	1
116.E	420982W10	HOOK SIDE WIRE END	1
116.F	420982SA0	UPPER HOOK PLATE	1
116.G	136302025	SAFETY STOPPER	1
116.H	420985XZ0	WIRE END STOPPER	1
117	420601QV0	UPPER HOOK SHAFT	1
118	130703020	SPLIT PIN Ø3X20	1
131	134803040	HOSE STEM 3/8X1/2	1
141	136503003	POLY CAP 3/8	1
150	420988V6C	EMERGENCY STOP VALVE CP	1CP
150.A	420988V4B	EMERGENCY STOP VALVE BODY CP	1
150.A.A	420988V40	EMERGENCY STOP VALVE BODY	1
150.A.B	420215V50	EMERGENCY STOP BUSHING	1
150.B	420215V60	EMERGENCY STOP VALVE	1
150.C	426216B60	EMERGENCY PANEL	1
150.D	420215V80	EMERGENCY CAP	1
150.E	420215V90	EMERGENCY RETAINER	1
150.F	426216B70	EMERGENCY ROD	1
150.G	426216B80	EMERGENCY STOPPER	1
150.H	426216B90	EMERGENCY SLEEVE	1
150.J	130802222	EMERGENCY RETURN SPRING	1
150.K	130802223	SPRING 3.5X9.5X0.4	2
150.L	130802097	EMERGENCY SPRING	1
150.M	136690301	EMERGENCY BUTTON AVW-301R	1
150.N	131103009	O-RING S-11.2	3
150.P	131103019	O-RING S-24	1
150.Q	131101017	O-RING P-18	1
150.R	132806015	HEX. SOCKET CSK MACHINE SCREW M6X15	1
150.S	130603008	SPRING PIN 3X8	1
150.T	130406018	PARALLEL PIN 1.5X4	1
150.U	130406019	PARALLEL PIN 4X8 C	2
150.V	130301030	RETAINING RING H-30	1