

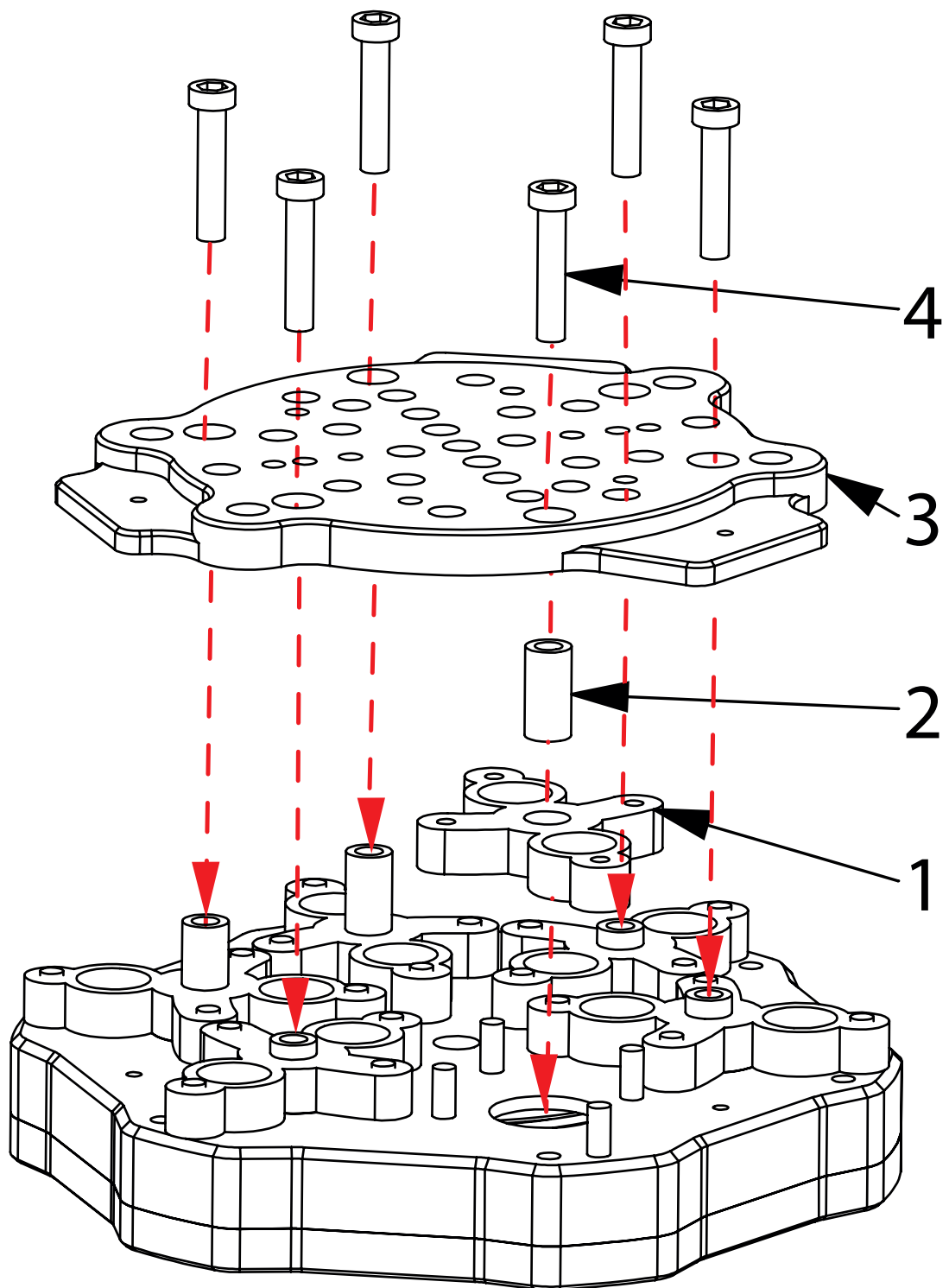
# Vlybris

## Instruction Manual



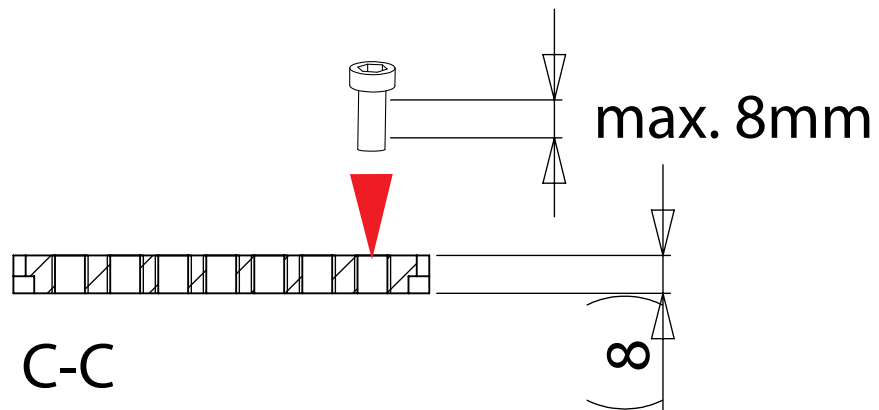
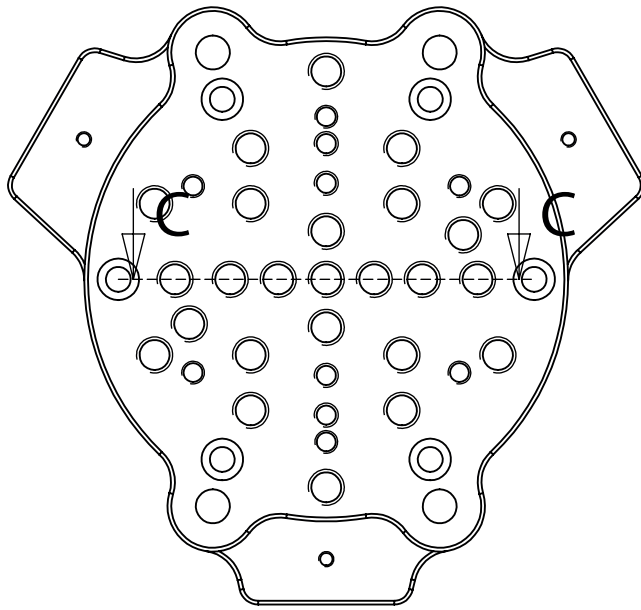
[www.idea-vision.de](http://www.idea-vision.de)

# exchange x/y damper



- 1. x/y damper
- 2. distance sleeve 34mm
- 3. top plate
- 4. screw M6 x 45mm

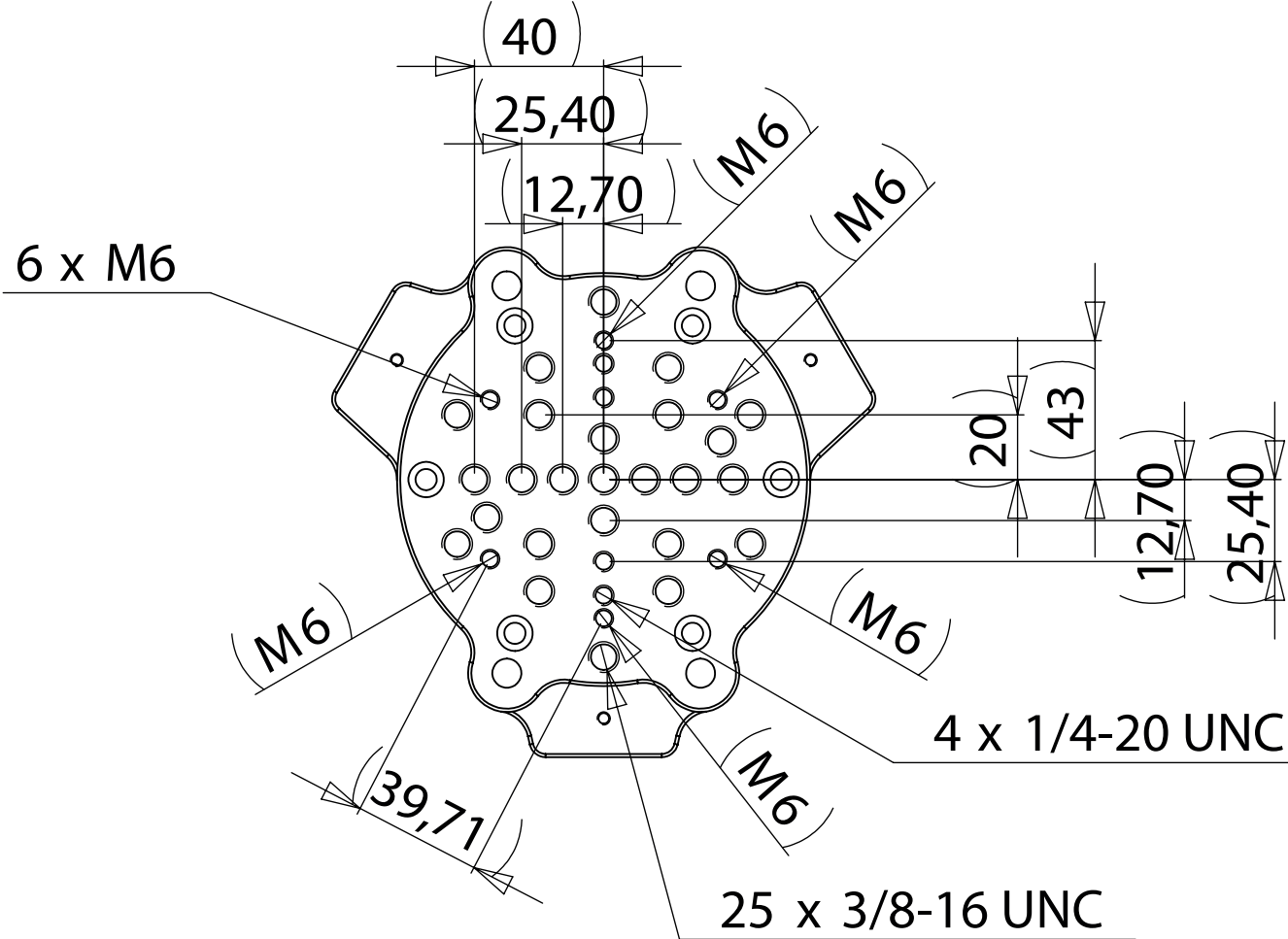
# Mounting method



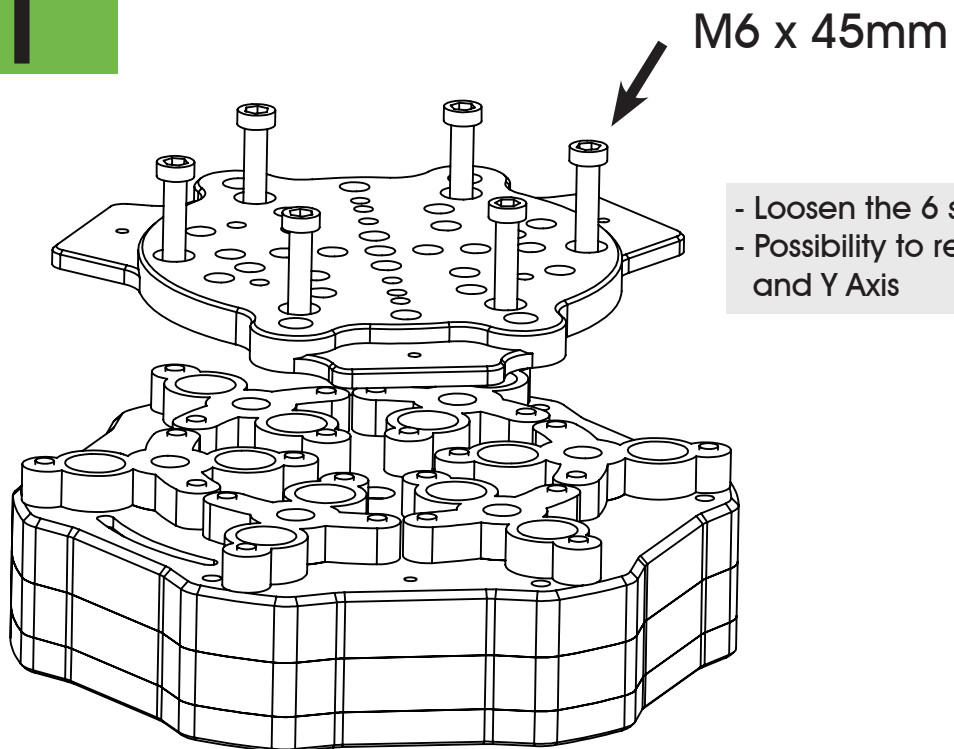
When mounting Vybris don't use too long screws. Thread holes max 8 – 10 mm depth

# Hole pattern

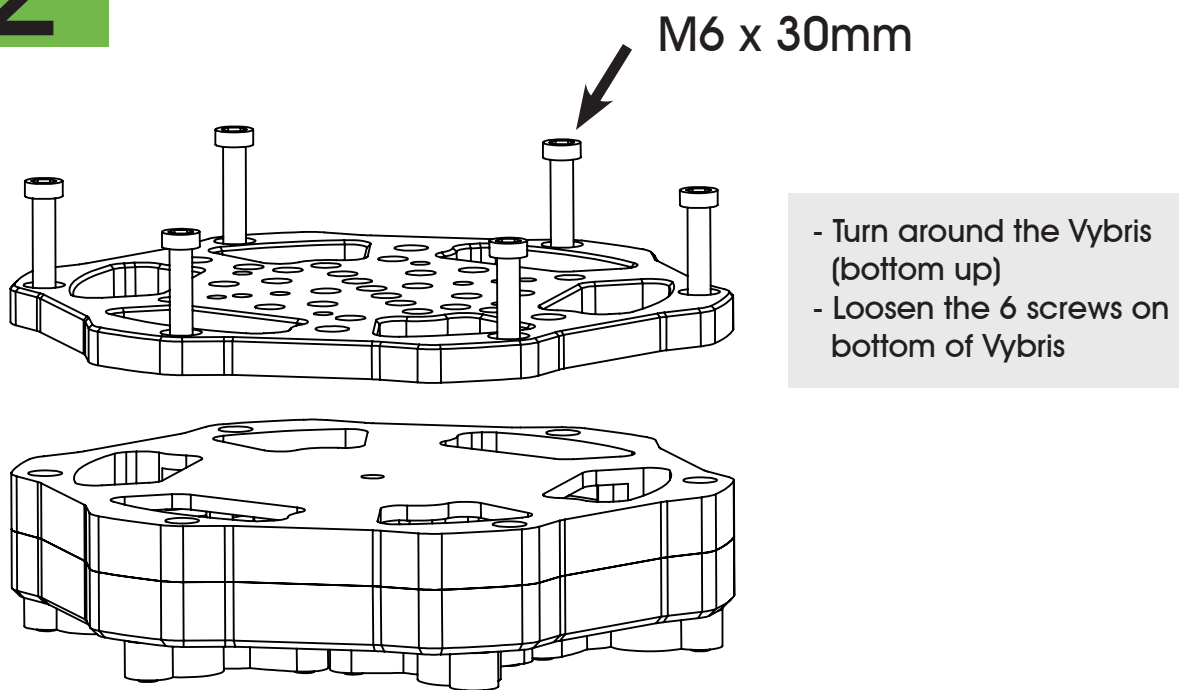
Top plate = bottom plate

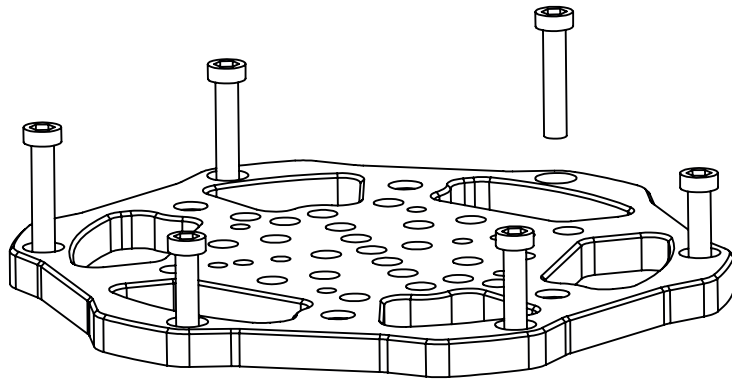


1

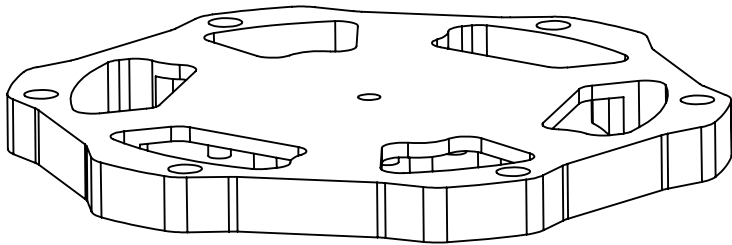


2

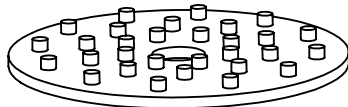
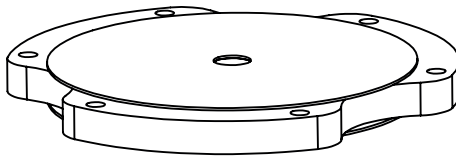




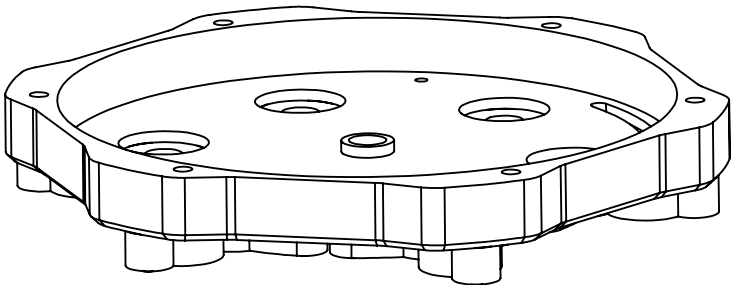
- Pulling apart the individual components
- Replace dampers for roll Axis
- Big damper – silicone nipple down
- Small damper – silicone nipple up
- Assemble each part to the same place as before.
- Start with bottom of Vybris. Put in the 6 screws. Tighten them slowly always opposite direction



Big damper – silicone nipple down

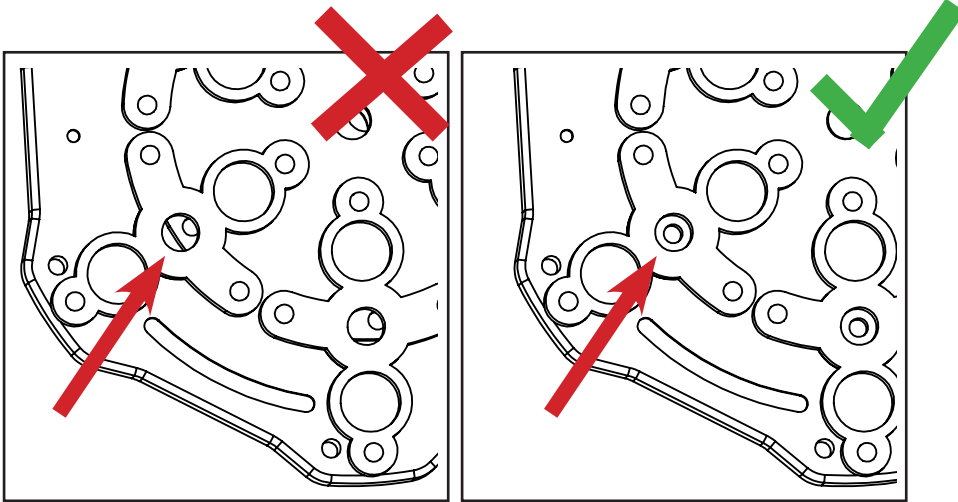


Small damper – silicone nipple up

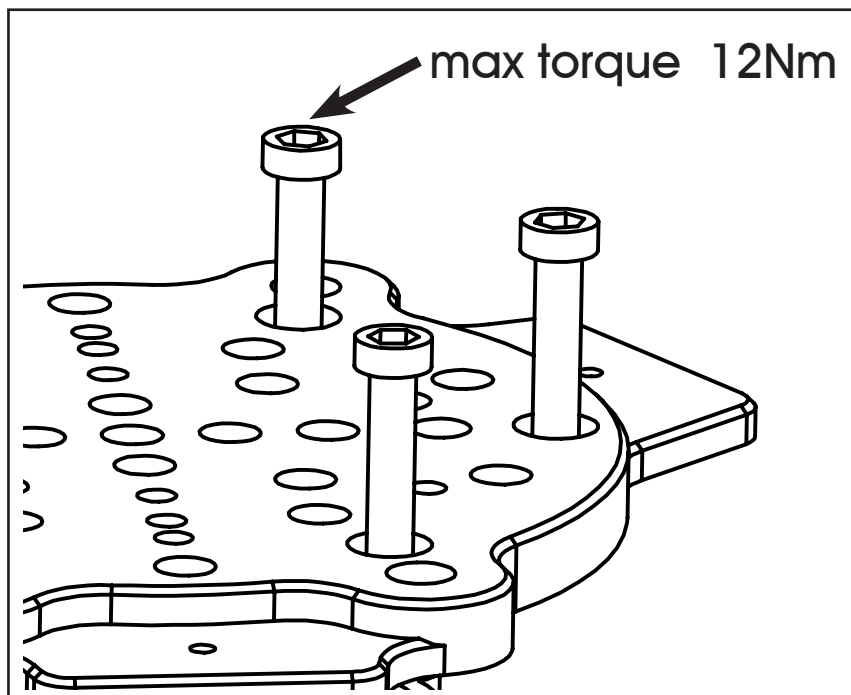


# 4

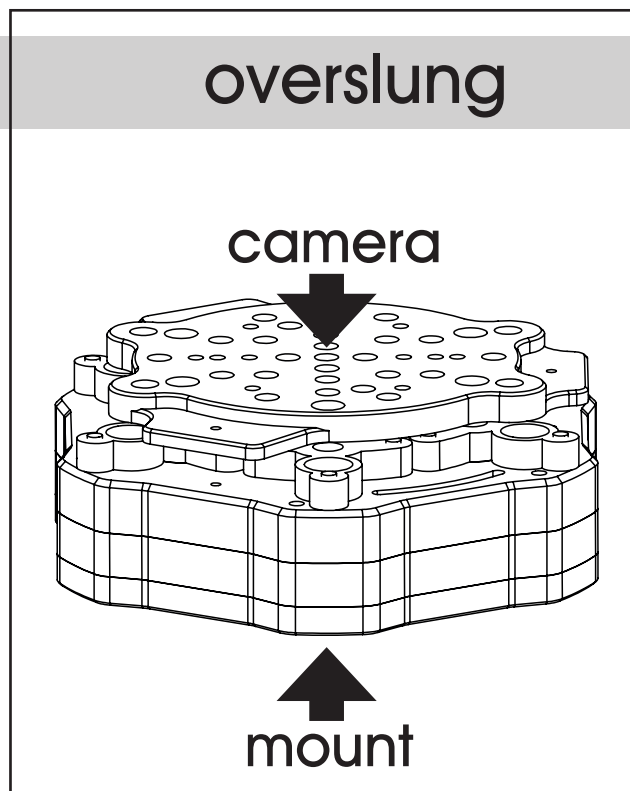
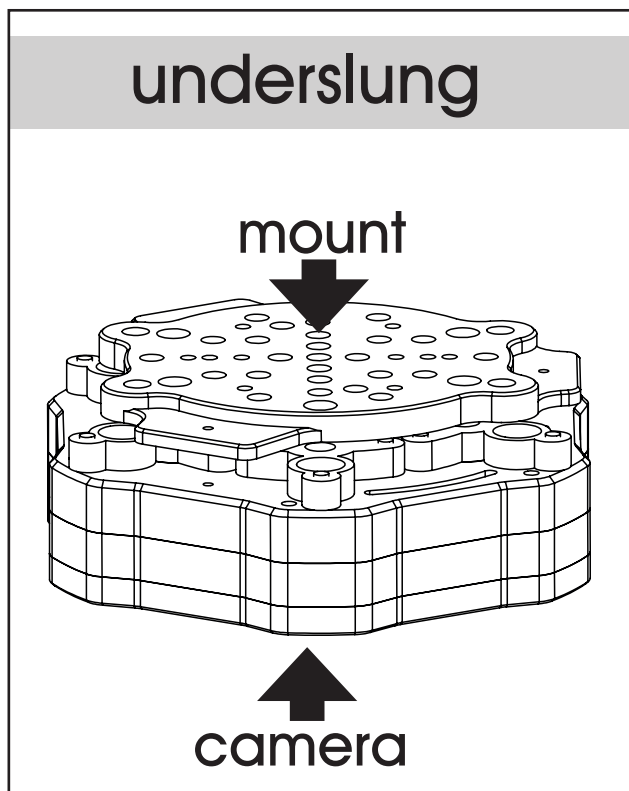
- Turn around the Vybris (Top up).
  - Make sure to align the screw holes.
  - Put in the 6 screws.
- Tighten them slowly always opposite direction



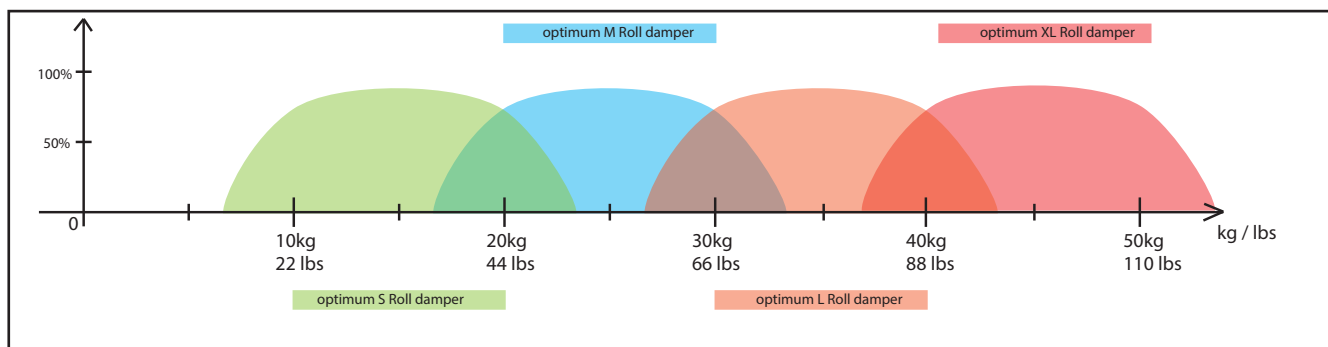
# 5



# Mounting



## Payload (Depending on how it is used)

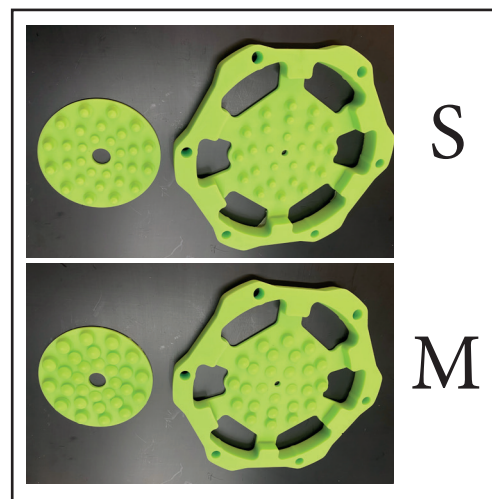


8-22 kg / 17-48 lbs (optimum 10-20 kg 22-44 lbs)  
**S** Roll damper    Mint Green X/Y dampers

18-32 kg / 40-70 lbs (optimum 20-30 kg 44-66 lbs)  
**M** Roll damper    Mint Green X/Y dampers

28-42 kg / 62-92 lbs (optimum 30-40 kg 66-88 lbs)  
**L** Roll damper    Mint Green X/Y dampers

38-52 kg / 84-115 lbs (optimum 40-50 kg 88-110 lbs)  
**XL** Roll damper    Mint Green X/Y dampers

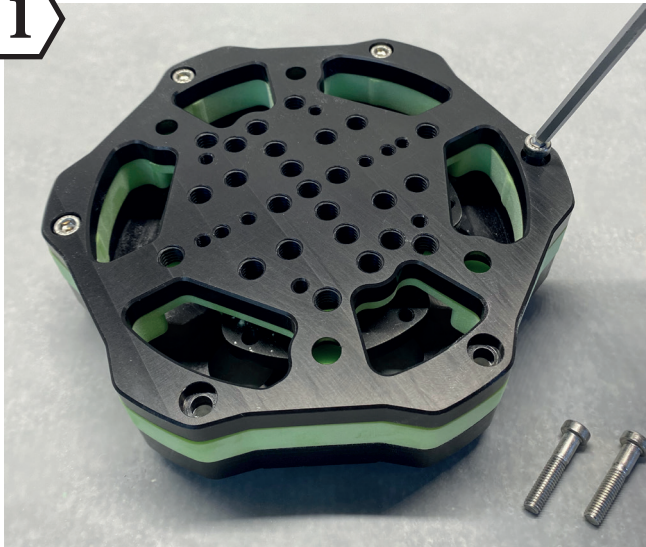


\*In overslung mode you may need the next stronger dampers. Depending how it is used.

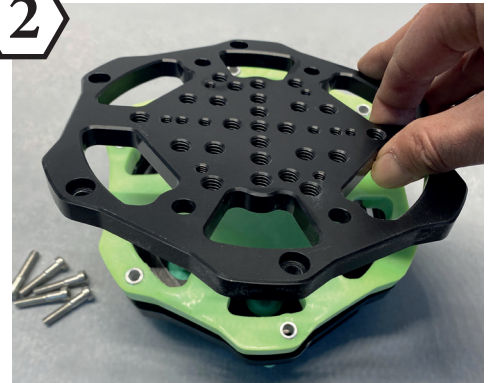


# Mounting Mitchell female

1



2



Loosen six screws of bottom plate

3



Mount risers to Mitchell female plate

4



Mount Vybris bottom plate to risers/Mitchell female

5



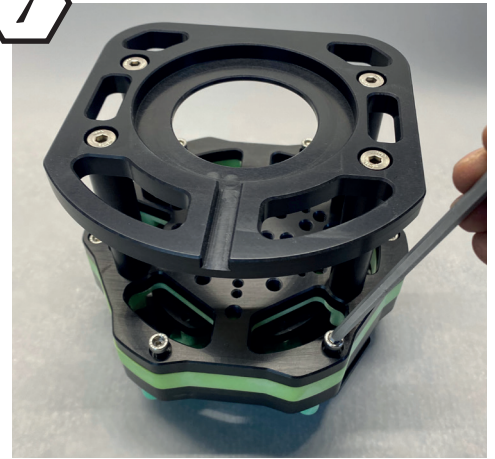
6



Mount Vybris bottom plate to Vybris.

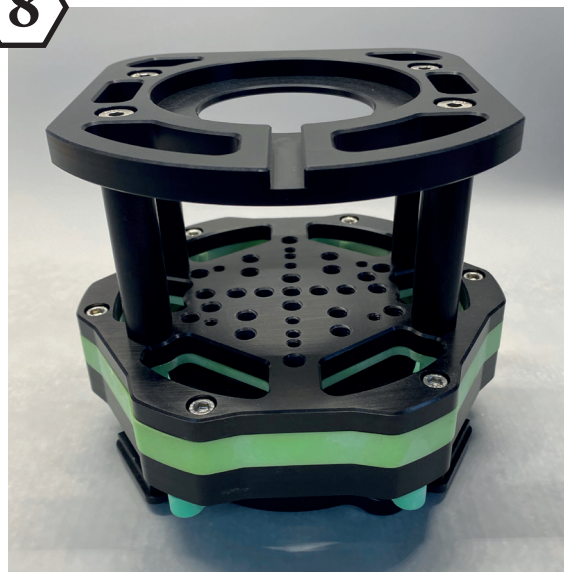
Put in the 6 screws. Tighten them slowly, always opposite direction.

7



8

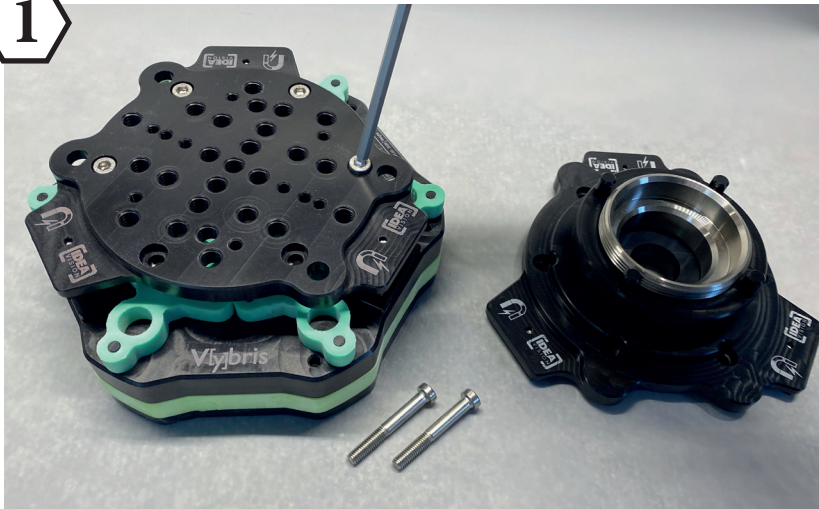
Ready!





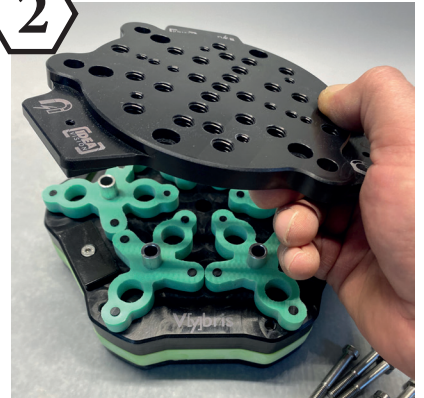
# Mounting Mitchell

1



Loosen six screws of top plate

2

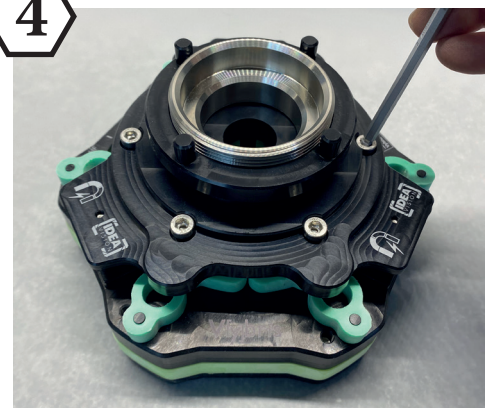


3



Exchange top plate to Mitchell male plate.

4



Ready!

5



Put in the 6 screws. Tighten them slowly, always opposite direction.

# Mounting



IDEA VISION GmbH  
Anzengruberstr. 16  
83059 Kolbermoor  
D-Germany

Phone: +49 (0)8031 9085795  
contact@idea-vision.de

[www.idea-vision.de](http://www.idea-vision.de)