

## 2" (Ø 70 mm) Technical Information Tank Unit (Adapter) and Hose Unit (Coupler)



According to NATO STANAG 3756

Material	Maximum Working Pressure	Test Pressure	Minimum Burst Pressure
Aluminium	16 bar / 232 psi	24 bar / 348 psi	80 bar / 1160 psi
Brass/Gunmetal	16 bar / 232 psi	24 bar / 348 psi	80 bar / 1160 psi
Stainless Steel	25 bar / 363 psi	37,5 bar / 544 psi	125 bar / 1813 psi
Titan	25 bar / 363 psi	37,5 bar / 544 psi	125 bar / 1813 psi
Hastelloy	25 bar / 363 psi	37,5 bar / 544 psi	125 bar / 1813 psi
PEEK	6 bar / 87 psi	9 bar / 131 psi	30 bar / 435 psi

### Connections

1½" and 2" in BSP, NPT or S60x6 thread, or flanged inlet.

### Applications

For industrial process plant, road and rail tankers, ISO tank containers, IBC containers, pharmaceutical and petrochemical industries or on any application where spillage needs to be minimized.

### Media

Petroleum products: gasoline, diesel, oil etc.

Chemical products: AdBlue, ethylene oxide, propylene oxide, acrylonitrile, butadiene, ammonia, vinyl chloride, toluene, xylene, sulphuric acid, phenol etc.

Gas: vapor recovery/balance systems for various media.

Dry powder.

### Material of Body

Aluminium, brass/gunmetal, stainless steel, Hastelloy and PEEK. Other materials on request.

### Seals

Standard seals in FPM (Viton®) - alternatively EPDM, FKM (Chemraz®, Kalrez®), NBR/HBNR. Other materials on request.

### High Flow Rates / Low Pressure Drop

Allows maximum product transfer with minimal losses.

### Recommended Maximum Flow Rates

900 litres/minute (fuel)

### Selectivity

- avoid mixing products

To avoid product contamination caused by connecting a hose unit to the wrong tank unit, selective versions of the hose and tank units are available.

Each unit has a number of selective positions, designated by a coded part number according to the coupling size – specify when placing order. See page 32 ff.

### Interchangeability

Compatible with couplings of other manufacturers.

### Hose Unit with Integrated Swivel

All hose units are supplied with an integrated swivel.

## 2" (Ø 70 mm) Tank Unit (Adapter) – Female Thread

Connection <sup>1)</sup> Inch/DN	Body Material <sup>2)</sup>	Seal		Weight ≈		Mann Tek Code No.			
		O-Ring <sup>3)</sup>	Thread Seal	kg	lbs				
F 1 1/2" BSP	Al	Standard: FPM/FKM (Viton <sup>®</sup> )	PUR (Polyurethane)	0,4	0,8	T207A1101B			
F 2" BSP						T210A1101B			
F S60x6						T2108A1101B			
F W2" - 7						T2112A1101B			
F 1 1/2" NPT	—		0,4	0,8	T208A1101				
F 2" NPT					T211A1101				
F 1 1/2" BSP	Br		Other on request.	PUR (Polyurethane)	1,2	2,7	T207A2201B		
F 2" BSP							1,1	2,4	T210A2201B
F S60 x 6							1,0	2,2	T2108A2201B
F W2" - 7							1,0	0,9	T2112A2201B
F 1 1/2" NPT				—	0,4	0,9	T208A2201		
F 2" NPT							1,1	2,4	T211A2201
F 1 1/2" BSP	SS	PTFE (Teflon <sup>®</sup> )		—	1,1	2,4	T207A4401A		
F 2" BSP							1,0	2,2	T210A4401A
F S60 x 6							1,0	2,2	T2108A4401A
F 1 1/2" NPT							—	1,2	2,7
F 2" NPT	1,1	2,4		T211A4401					
F 1 1/2" BSP	Titan	PTFE (Teflon <sup>®</sup> )		—	0,6	1,3	T207A6601A		
F 2" BSP			0,6				1,3	T210A6601A	
F 1 1/2" NPT			—				0,6	1,3	T208A6601
F 2" NPT									0,6
F 1 1/2" BSP	Hastelloy	PTFE (Teflon <sup>®</sup> )	—	—	—	T207A7701A			
F 2" BSP						—	—	—	T210A7701A
F 1 1/2" NPT						—	—	—	T208A7701
F 2" NPT									—
F 1 1/2" BSP	PEEK	PTFE (Teflon <sup>®</sup> )	—	0,3	0,6	T207A9901A			
F 2" BSP						0,3	0,6	T210A9901A	
F 1 1/2" NPT						—	0,3	0,6	T208A9901
F 2" NPT									—

According to  
NATO STANAG 3756



<sup>1)</sup> F = Female thread, BSP = EN ISO 228, NPT = ANSI B1.20.1, S60 x 6 = thread for IBC, W 2" heating oil connection Sweden

<sup>2)</sup> Material: Al = Aluminium, Br = Brass, SS = Stainless Steel

<sup>3)</sup> Standard seal FPM/FKM. Alternative materials, e.g. EPDM, Chemraz<sup>®</sup>, Kalrez<sup>®</sup>, NBR or HNBR on request.

## 2" (Ø 70 mm) Tank Unit (Adapter) – Male Thread

Flange <sup>1)</sup>	Body Material <sup>2)</sup>	Seal <sup>3)</sup>		Weight ≈		Mann Tek Code No.		
		O-Ring		kg	lbs			
M 2" BSP	Al	Standard: FPM/FKM (Viton <sup>®</sup> )	—	1,0	2,2	T278A1101		
M 2" NPT						T279A1101		
M W2" - 7						T2123A1101		
M 2" BSP	Br			Other on request.	—	—	—	T278A2201
M 2" NPT								T279A2201
M W2" - 7								T2123A2201
M 2" BSP	SS	1,0	2,2			1,0	2,2	T278A4401
M 2" NPT								1,1

According to  
NATO STANAG 3756



<sup>1)</sup> M = Male thread, BSP = EN ISO 228, NPT = ANSI B1.20.1, S60 x 6 = thread for IBC, W 2" heating oil connection Sweden

<sup>2)</sup> Material: Al = Aluminium, Br = Brass, SS = Stainless Steel

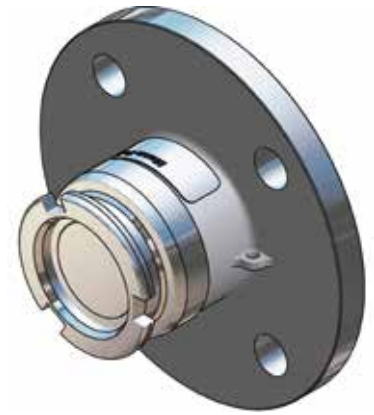
<sup>3)</sup> Standard seal FPM/FKM. Alternative materials, e.g. EPDM, Chemraz<sup>®</sup>, Kalrez<sup>®</sup>, NBR or HNBR on request.

Viton<sup>®</sup> is a registered trademark of DuPont, DuPont Elastomers.

2" (Ø 70 mm) Tank Unit (Adapter) – Flanged Inlet

Flange <sup>1)</sup>	Body Material <sup>2)</sup>	Seal <sup>3)</sup>	Weight ≈		Mann Tek Code No.	
		O-Ring	kg	lbs		
undrilled Ø 165 mm	Al	Standard: FPM/FKM (Viton®)	1,0	2.2	T219B1101	
DN 40 PN 10/16 Type A			0,9	2.0	T227B1101	
1½" ASA 150			0,8	1.8	T255B1101	
DN 50 PN 10/16 Type A			1,0	2.2	T230B1101	
2" ASA 150			0,9	2.0	T257B1101	
DIN 28459 'TW 1' / DN 80			0,9	2.0	T265B1101	
undrilled Ø 165 mm	GM		3,3	7.3	T219B2201	
DN 40 PN 10/16 Type B			2,5	5.5	T227B2201	
DN 40 PN 25/40 Type B					T228B2201	
1½" ASA 150			2,2	4.9	T255B2201	
1½" ASA 300					T256B2201	
DN 50 PN 10/16 Type B			3,1	6.8	T230B2201	
DN 50 PN 25/40 Type B					T231B2201	
2" ASA 150			2,5	5.1	T257B2201	
2" ASA 300					T258B2201	
DIN 28459 'TW 1' / DN 80			2,4	5.3	T265B2201	
undrilled Ø 165 mm			SS	3,2	7.1	T219B4401
undrilled Ø 165 mm **)						T219B4401F
DN 40 PN 10/16 Type B				2,4	5.3	T227B4401
DN 40 PN 10/16 Type B **)						T227B4401F
DN 40 PN 25/40 Type B	2,4			5.3	T228B4401	
DN 40 PN 25/40 Type B **)					T228B4401F	
1½" ASA 150	1,7			3.8	T255B4401	
1½" ASA 150 **)					T255B4401F	
1½" ASA 300	2,1			4.6	T256B4401	
1½" ASA 300 **)					T256B4401F	
DN 50 PN 25/40 Type E *)	2,9			6.4	T229B4401	
DN 50 PN 10/16 Type B	2,7			6.0	T230B4401	
DN 50 PN 10/16 Type B **)					T230B4401F	
DN 50 PN 25/40 Type B	3,0			6.6	T231B4401	
DN 50 PN 25/40 Type B **)				T231B4401F		
2" ASA 150	2,4	5.3		T257B4401		
2" ASA 150 **)				T257B4401F		
2" ASA 300	2,5	5.5		T258B4401		
2" ASA 300 **)				T258B4401F		
DIN 28459 'TW 1' / DN 80				T265B4401		
DN 50 DIN 11864				T2152B4401		
undrilled Ø 165 mm	Titan				T219A6601	
DN 40 PN 10/16 Type B					T227A6601	
DN 40 PN 25/40 Type B					T228A6601	
1½" ASA 150		1,7	3.8	T255A6601		
1½" ASA 300				T256A6601		
DN 50 PN 10/16 Type B				T230A6601		
DN 50 PN 25/40 Type B				T231A6601		
2" ASA 150				T257A6601		
2" ASA 300				T258A6601		
undrilled Ø 165 mm	Hastelloy			T219A7701		
DN 40 PN 10/16 Type B				T227A7701		
DN 40 PN 25/40 Type B				T228A7701		
1½" ASA 150				T255A7701		
1½" ASA 300 B				T256A7701		
DN 50 PN 10/16 Type B				T230A7701		
DN 50 PN 25/40 Type B				T231A7701		
2" ASA 150				T257A7701		
2" ASA 300			T258A7701			
undrilled Ø 165 mm	PEEK			T219A9901		
DN 40 PN 10/16 Type B		1,0	2.0	T227A9901		
1½" ASA 150				T255A9901		
DN 50 PN 10/16 Type B		1,0	2.0	T230A9901		
2" ASA 150		1,0	2.0	T257A9901		

According to NATO STANAG 3756



\*) Type E (with spigot), EN 1092-1, see p. 44

\*\*) Flange with standard thickness

1) PN 10/16/25/40 = EN 1092 (types see page 44), ASA = ANSI B16.5 (150 o. 300 psi), DIN 28459 = old standard TW, 10 bar. DIN 11864 = DIN 11864-2 (aseptic flange)

2) Material: Al = Aluminium, GM = Gunmetal, SS = Stainless Steel

3) Standard seal FPM/FKM. Alternative materials, e.g. EPDM, Chemraz®, Kalrez®, NBR or HNBR on request.

Viton® is a registered trademark of DuPont, DuPont Elastomers.

## 2" (Ø 70 mm) Hose Unit (Coupler) – Female Thread

Connection <sup>1)</sup> Inch/DN	Body Material <sup>2)</sup>	Seal		Weight ≈		Mann Tek Code No.	
		O-Ring <sup>3)</sup>	Thread Seal	kg	lbs		
F 1½" BSP	Al	Standard: FPM/FKM (Viton®)	PUR (Polyurethane)	1,2	2,7	S207A1101B	
F 1½" BSP-B Mouth*)						S207A1101BI	
F 2" BSP				1,1	2,4	S210A1101B	
F 2" BSP-B Mouth*)				1,1	2,4	S210A1101BI	
F 1½" NPT			—	1,1	2,4	S208A1101	
F 1½" NPT-B Mouth*)						S208A1101I	
F 2" NPT				1,1	2,4	S211A1101	
F 2" NPT-B Mouth*)						S211A1101I	
F 1½" BSP	Br		Other on request.	PUR (Polyurethane)	2,6	5,7	S207A2201B
F 1½" BSP-B Mouth*)							S207A2201BI
F 2" BSP					2,4	5,3	S210A2201B
F 2" BSP-B Mouth*)							S210A2201BI
F 1½" NPT				—	2,5	5,5	S208A2201
F 1½" NPT-B Mouth*)							S208A2201I
F 2" NPT					2,5	5,5	S211A2201
F 2" NPT-B Mouth*)							S211A2201I
F 1½" BSP	SS	PTFE (Teflon®)	2,5	5,5	S207A4401A		
F 2" BSP			2,3	5,1	S210A4401A		
F 1½" NPT		—	2,4	5,3	S208A4401		
F 2" NPT			2,3	5,1	S211A4401		
F 1½" BSP	Titan	PTFE (Teflon®)	1,3	2,9	S207A6601A		
F 2" BSP			1,3	2,9	S210A6601A		
F 1½" NPT		—			S208A6601		
F 2" NPT			1,4	3,1	S211A6601		
F 1½" BSP	Hastelloy	PTFE (Teflon®)	2,3	5,1	S207A7701A		
F 2" BSP			2,3	5,1	S210A7701A		
F 1½" NPT		—	2,3	5,1	S208A7701		
F 2" NPT			2,3	5,1	S211A7701		
F 1½" BSP	PEEK	PTFE (Teflon®)			S207A9901A		
F 2" BSP			1,3	2,9	S210A9901A		
F 1½" NPT		—			S208A9901		
F 2" NPT			1,3	2,9	S211A9901		

According to  
NATO STANAG 3756



\*) Adopted for older models of  
Emco Wheaton male couplings

<sup>1)</sup> F = Female thread, BSP =  
EN ISO 228, NPT = ANSI B1.20.1

<sup>2)</sup> Material: Al = Aluminium, Br = Brass,  
SS = Stainless Steel

<sup>3)</sup> Standard seal FPM/FKM. Alternative  
materials, e.g. EPDM, Chemraz®,  
Kalrez®, NBR or HNBR on request.

## 2" (Ø 70 mm) Hose Unit (Coupler) – Male Thread

Flange <sup>1)</sup>	Body Material <sup>2)</sup>	Seal <sup>3)</sup>	Weight ≈		Mann Tek Code No.			
		O-Ring	kg	lbs				
2" BSP AG	Al	Standard: FPM/FKM (Viton®)			S278A1101			
2" NPT AG					S279A1101			
S60 x 6 AG					S2109A1101			
W2" - 7 AG					1,3	2,1	S2123A1101	
2" BSP AG	Br		Other on request.			S278A2201		
2" NPT AG						S279A2201		
S60x6 AG						S2109A2201		
W2" - 7 AG						S2123A2201		
2" BSP AG	SS					2,3	5,1	S278A4401
2" NPT AG						S279A4401		
S60x6 AG						S2109A4401		

According to  
NATO STANAG 3756



<sup>1)</sup> M = Male thread, BSP = EN ISO 228, NPT = ANSI B1.20.1, S60 x 6 = thread for IBC, W 2" heating oil connection Sweden

<sup>2)</sup> Material: Al = Aluminium, Br = Brass, SS = Stainless Steel

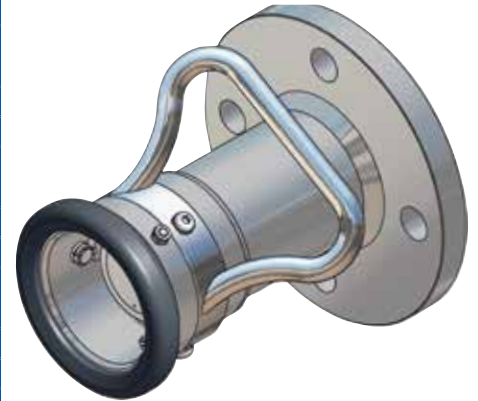
<sup>3)</sup> Standard seal FPM/FKM. Alternative materials, e.g. EPDM, Chemraz®, Kalrez®, NBR or HNBR on request.

Viton® and Teflon® are registered trademarks of DuPont, DuPont Elastomers.

## 2" (Ø 70 mm) Coupler – Flanged Inlet

Flange <sup>1)</sup>	Body Material <sup>2)</sup>	Seal <sup>3)</sup>	Weight ≈		Mann Tek Code No.		
		O-Ring	kg	lbs			
undrilled Ø 165 mm	Al	Standard: FPM/FKM (Viton®)			S219A1101		
DN 40 PN 10/16 Type A						S227A1101	
1½" ASA 150						S255A1101	
DN 50 PN 10/16 Type A				2,3	5.1	S230A1101	
2" ASA 150						S257A1101	
DIN 28459 'TW 1' / DN 80						S265A1101	
undrilled Ø 165 mm	GM					S219A2201	
DN 40 PN 10/16 Type B							S227A2201
DN 40 PN 25/40 Type B							S228A2201
1½" ASA 150				5,1	11.2		S255A2201
1½" ASA 300							S256A2201
DN 50 PN 10/16 Type B							S230A2201
DN 50 PN 25/40 Type B							S231A2201
2" ASA 150				5,1	11.2		S257A2201
2" ASA 300							S258A2201
DIN 28459 'TW 1' / DN 80							S265A2201
undrilled Ø 165 mm			SS				S219A4401
o. Bohrungen Ø 165 mm **)							
DN 40 PN 10/16 Type B						S227A4401	
DN 40 PN 10/16 Type B **)						S227A4401F	
DN 40 PN 25/40 Type B						S228A4401	
DN 40 PN 25/40 Type B **)						S228A4401F	
1½" ASA 150						S255A4401	
1½" ASA 150 **)						S255A4401F	
1½" ASA 300						S256A4401	
1½" ASA 300 **)		6,6		14.6		S256A4401F	
DN 50 PN 25/40 Type E *)						S229A4401	
DN 50 PN 10/16 Type B		5,4		11.9		S230A4401	
DN 50 PN 10/16 Type B **)						S230A4401F	
DN 50 PN 25/40 Type B		5,4		11.9		S231A4401	
DN 50 PN 25/40 Type B **)						S231A4401F	
2" ASA 150		5,1		11.2		S257A4401	
2" ASA 150 **)		5,1		11.2		S257A4401F	
2" ASA 300						S258A4401	
2" ASA 300 **)		5,8		12.8		S258A4401F	
DIN 28459 'TW 1' / DN 80						S265A4401	
DN 50 DIN 11864		3,1		6.8		S2152B4401	
undrilled Ø 165 mm	Titan					S219A6601	
DN 40 PN 10/16 Type B						S227A6601	
DN 40 PN 25/40 Type B						S228A6601	
1½" ASA 150						S255A6601	
1½" ASA 300						S256A6601	
DN 50 PN 10/16 Type B						S230A6601	
DN 50 PN 25/40 Type B						S231A6601	
2" ASA 150						S257A6601	
2" ASA 300					S258A6601		
undrilled Ø 165 mm	Hastelloy				S219A7701		
DN 40 PN 10/16 Type B						S227A7701	
DN 40 PN 25/40 Type B						S228A7701	
1½" ASA 150						S255A7701	
1½" ASA 300						S256A7701	
DN 50 PN 10/16 Type B			5,4	11.9		S230A7701	
DN 50 PN 25/40 Type B						S231A7701	
2" ASA 150						S257A7701	
2" ASA 300					S258A7701		
undrilled Ø 165 mm	PEEK				S219A9901		
DN 40 PN 10/16 Type B			5,4	11.9		S227A9901	
1½" ASA 150 Type B						S255A9901	
DN 50 PN 10/16 Type B			5,4	11.9		S230A9901	
2" ASA 150					S257A9901		

According to  
NATO STANAG 3756



\*) Type E (with spigot),  
EN 1092-1, see page 44

\*\*\*) Flange with standard thickness

1) PN 10/16/25/40 = EN 1092  
(types see page 44),  
ASA = ANSI B16.5 (150 o. 300 psi),  
DIN 28459 = old standard TW, 10 bar.  
DIN 11864 = DIN 11864-2 (aseptic flange).

2) Material: Al = Aluminium,  
GM = Gunmetal, SS = Stainless Steel

3) Standard seal FPM/FKM. Alternative  
materials, e.g. EPDM, Chemraz®,  
Kalrez®, NBR or HNBR on request.

Viton® is a registered trademark of  
DuPont, DuPont Elastomers.