

## 3" (Ø 119 mm) Technical Information Tank Unit (Adapter) and Hose Unit (Coupler)



According to NATO STANAG 3756

Material	Maximum Working Pressure	Test Pressure	Minimum Burst Pressure
Aluminium	10 bar / 145 psi	15 bar / 218 psi	50 bar / 726 psi
Brass/Gunmetal	16 bar / 232 psi	24 bar / 348 psi	80 bar / 1160 psi
Stainless Steel	25 bar / 363 psi	37,5 bar / 544 psi	125 bar / 1813 psi
Titan	25 bar / 363 psi	37,5 bar / 544 psi	125 bar / 1813 psi
Hastelloy	25 bar / 363 psi	37,5 bar / 544 psi	125 bar / 1813 psi
PEEK	6 bar / 87 psi	9 bar / 131 psi	30 bar / 435 psi

### Connections

3" in BSP, NPT and flanged inlet.

### Applications

For road, rail tanker loading/unloading, filling of tanks and containers, refuelling and loading/unloading bunker boats (marine tankers) and small ships.

Also suitable for other applications where high loading rates are required and product contamination and spillage needs to be minimized.

### Media

Petroleum products: gasoline, diesel, oil etc.

Chemical products: ethylene oxide, propylene oxide, acrylonitrile, butadiene, ammonia, vinyl chloride, toluene, xylene, sulphuric acid, phenol etc.

Gas: vapor recovery/balance systems

Dry powder.

### Material of Body

Aluminium, brass/gunmetal, stainless steel, Hastelloy and PEEK. Other materials on request.

### Seals

Standard seals FPM (Viton®), EPDM, FFKM (Chemraz®, Kalrez®), NBR. Other on request.

### High Flow Rates / Low Pressure Drop

Allows maximum product transfer with minimal losses.

### Recommended Maximum Flow Rates

2000 litres/minute (fuel)

### Selectivity

- avoid mixing products

To avoid product contamination caused by connecting a hose unit to the wrong tank unit, selective versions of the hose and tank units are available.

Each unit has a number of selective positions, designated by a coded part number according to the coupling size – specify when placing order.

### Interchangeability

Compatible with couplings of other manufacturers.

### Hose Unit with Integrated Swivel

All hose units are supplied with an integrated swivel.

## 3" (Ø 119 mm) Tank Unit (Adapter) – Female Thread

Connection <sup>1)</sup> Inch/DN	Body Material <sup>2)</sup>	Seal		Weight ≈		Mann Tek Code No.	
		O-Ring <sup>3)</sup>	Thread Seal	kg	lbs		
F 3" BSP	Al	Standard: FPM/FKM (Viton*)	PUR	1,2	2,7	T414D1101B	
F 3" BSP				1,3	2,9	T414K1101B*)	
F 3" NPT				1,2	2,7	T415D1101	
F 3" BSP	GM		Other on request.	PUR	3,2	7,1	T414D2201B
F 3" NPT					3,5	7,7	T415D2201
F 3" BSP	Br			PUR	1,3	2,9	T414K2201B*)
F 3" BSP					PTFE	3,1	6,8
F 3" NPT	SS			PTFE		3,4	7,5
F 3" BSP					Hastelloy	PTFE	
F 3" NPT	PVDF/Hastelloy			PTFE			
F 3" BSP					PEEK	PTFE	3,6
F 3" BSP	PTFE						
F 3" NPT	PTFE						T415A9901

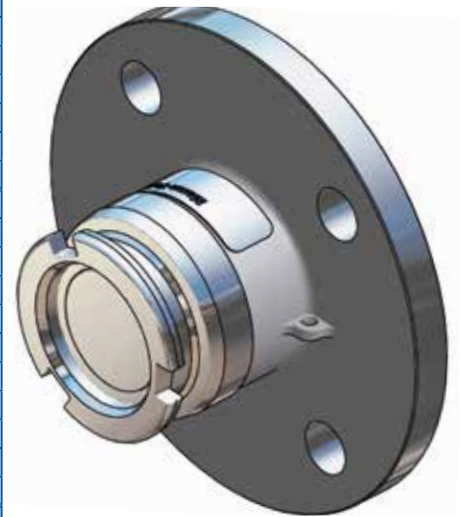
According to  
NATO STANAG 3756



## 3" (Ø 119 mm) Tank Unit (Adapter)– Flanged Inlet

Flange <sup>1B)</sup>	Body Material <sup>2)</sup>	Seal <sup>3)</sup>	Weight ≈		Mann Tek Code No.		
		O-Ring	kg	lbs			
undrilled Ø 210 mm	Al	Standard: FPM/FKM (Viton*)	2,0	4,4	T420D1101		
DN 65 PN 10 / 16 Type A					T433D1101		
DN 80 PN 10 / 16 Type A			2,0	4,4	T436D1101		
3" ASA 150			1,8	4,0	T461D1101		
DIN 28459 'TW 1' / DN 80			1,4	3,1	T465D1101		
DIN 28459 'TW 3' / DN 100			1,6	3,5	T466D1101		
3" TTMA			1,8	4,0	T467D1101		
4" TTMA			1,5	3,3	T468D1101		
undrilled Ø 210 mm			GM	Other on request.	6,2	13,7	T320D2201
DN 65 PN 10 / 16 Type B					4,9	10,8	T433D2201
DN 65 PN 25 / 40 Type B						T434D2201	
DN 80 PN 10 / 16 Type B	5,2				11,5	T436D2201	
DN 80 PN 25 / 40 Type B					T437D2201		
3" ASA 150	4,9	10,8			T461D2201		
3" ASA 300					T462D2201		
DIN 28459 'TW 1' / DN 80	4,1	9,0			T465D2201		
DIN 28459 'TW 3' / DN 100	4,7	10,4			T466D2201		
3" TTMA					T467D2201		
4" TTMA	4,6	10,1	T468D2201				
undrilled Ø 210 mm	SS	Standard: FPM/FKM (Viton*)				T420B4401	
undrilled Ø 210 mm***)					T420B4401F		
DN 65 PN 10 / 16 Type B					T433B4401		
DN 65 PN 10 / 16 Type B***)					T433B4401F		
DN 65 PN 25 / 40 Type B					T434B4401		
DN 65 PN 25 / 40 Type B***)					T434B4401F		
DN 80 PN 25 / 40 Type E**)					T435B4401F		
DN 80 PN 10 / 16 Type B			5,1	11,2	T436B4401		
DN 80 PN 10 / 16 Type B***)					T436B4401F		
DN 80 PN 25 / 40 Type B			5,1	11,2	T437B4401		
DN 80 PN 25 / 40 Type B***)				T437B4401F			
3" ASA 150	PEEK		Other on request.	4,9	10,8	T461B4401	
3" ASA 150***)				14,1	T461B4401F		
3" ASA 300		4,9		10,8	T462B4401		
3" ASA 300***)					T462B4401F		
DIN 28459 'TW 1' / DN 80		3,9		8,6	T465B4401		
DIN 28459 'TW 3' / DN 100					T466B4401		
3" TTMA					T467B4401		
4" TTMA					T468B4401		
undrilled Ø 210 mm					T420A9901		
DN 80 PN 10 / 16 Type B					T436A9901		
3" ASA 150				T461A9901			
3" TTMA				T467A9901			
4" TTMA			T468A9901				

According to  
NATO STANAG 3756



\*) shortened version for tight installation situations

\*\*\*) Type E (with spigot), EN 1092-1, see page 44

\*\*\*\*) Flange with standard thickness

<sup>1A)</sup> F = Female thread, BSP = EN ISO 228, NPT = ANSI B1.20.1

<sup>1B)</sup> PN 10 / 16 / 25 / 40 = EN 1092 (types see page 44), ASA = ANSI B16.5 (150 o. 300 psi), DIN 28459 = old standard TW, 10 bar. TTMA = Truck Trailer Manufacturers Association

<sup>2)</sup> Material: Al = Aluminium, GM = Gunmetal, SS = Stainless Steel

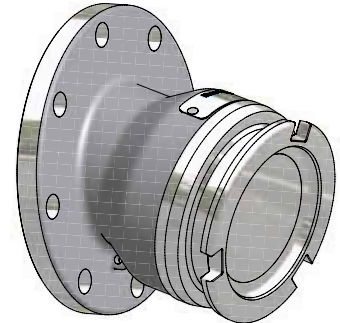
<sup>3)</sup> Standard seal FPM/FKM. Alternative materials, e.g. EPDM, Chemraz®, Kalrez®, NBR or HNBR on request

Viton® is a registered trademark of DuPont, DuPont Elastomers.

## 3" (Ø 119 mm) Dropped Tank Unit (Adapter) with Flange Connection

Flange <sup>1)</sup>	Body Material <sup>2)</sup>	Seal <sup>3)</sup>	Weight ≈		Mann Tek Code No.
		O-Ring	kg	lbs	
DIN 28459 'TW 1' / DN 80	Al	Standard: FPM/FKM (Viton®)	1,6	3.5	T465I1101
DIN 28459 'TW 3' / DN 100			1,6	3.5	T466I1101
3" TTMA		Other on request.			T467I1101
4" TTMA					T468I1101

According to  
NATO STANAG 3756



15° dropped Tank unit with flange connection makes it easier to connect when installed in high position and reduces hose wear.

<sup>1)</sup> DIN 28459 = old standard TW, 10 bar. TTMA = Truck Trailer Manufacturers Association

<sup>2)</sup> Material: Al = Aluminium

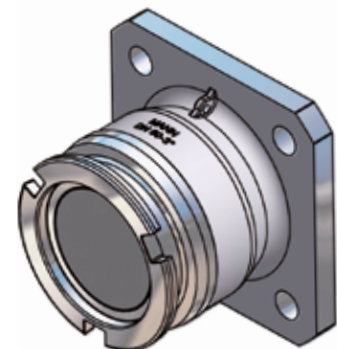
<sup>3)</sup> Standard seal FPM/FKM. Alternative materials, e.g. EPDM, Chemraz®, Kalrez®, NBR or HNBR on request

Viton® is a registered trademark of DuPont, DuPont Elastomers.

## 3" (Ø 119 mm) Tank Unit (Adapter) with Square Flange Connection

Flange <sup>1)</sup>	Body Material <sup>2)</sup>	Seal <sup>3)</sup>	Weight ≈		Mann Tek Code No.
		O-Ring	kg	lbs	
Normec (120x120 mm)	Al	Standard: FPM/FKM (Viton®)			T4107D1101
Normec (120x120 mm)	GM				T4107D2201

According to  
NATO STANAG 3756



<sup>1)</sup> Normec = with drilling for Italian road tanker connection

<sup>2)</sup> Material: Al = Aluminium, GM = Gunmetal

<sup>3)</sup> Standard seal FPM/FKM. Alternative materials, e.g. EPDM, Chemraz®, Kalrez®, NBR or HNBR on request

Viton® is a registered trademark of DuPont, DuPont Elastomers.

## 3" (Ø 119 mm) Hose Unit (Coupler) – Female Thread

Connection <sup>1)</sup> Inch/DN	Body Material <sup>2)</sup>	Seal <sup>3)</sup>		Weight ≈		Mann Tek Code No.
		O-Ring	Thread Seal	kg	lbs	
F 3" BSP	Al	Standard: FPM/FKM (Viton®)	PUR	3,8	8.4	S414B1101B
F 3" NPT			—	3,9	8.6	S415B1101
F 3" BSP	GM		PUR	8,4	18.5	S414B2201B
F 3" NPT			—	9,0	19.8	S415B2201
F 3" BSP	SS		PTFE	8,4	18.5	S414B4401A
F 3" NPT			—	8,7	19.2	S415B4401
F 3" BSP	Hastelloy		PTFE			S414A7701B
F 3" NPT			—	8,1	17.7	S415A7701
F 3" BSP	PVDF/Hastelloy		PTFE			S414A8701B
F 3" BSP	PEEK		PTFE			S414A9901B
F 3" NPT		—			S415A9901	

According to  
NATO STANAG 3756



<sup>1)</sup> F = Female thread, BSP = EN ISO 228, NPT = ANSI B1.20.1

<sup>2)</sup> Material: Al = Aluminium, GM = Gunmetal, SS = Stainless Steel

<sup>3)</sup> Standard seal FPM/FKM. Alternative materials, e.g. EPDM, Chemraz®, Kalrez®, NBR or HNBR on request

## 3" (Ø 119 mm) Coupler – Flanged Inlet

Flange <sup>1)</sup>	Body Material <sup>2)</sup>	Seal <sup>3)</sup>		Weight ≈		Mann Tek Code No.
		O-Ring		kg	lbs	
undrilled Ø 210 mm	Al	Standard: FPM/FKM (Viton®)				S420B1101
DN 80 PN 10 / 16 Type A						S436B1101
3" ASA 150			5,5	12.1	S461B1101	
DIN 28459 'TW 1' / DN 80					S465B1101	
DIN 28459 'TW 3' / DN 100					S466B1101	
3" TTMA					S467B1101	
4" TTMA			5,5	12.1	S468B1101	
undrilled Ø 210 mm	GM					S320B2201
DN 80 PN 10 / 16 Type B					S436B2201	
DN 80 PN 25 / 40 Type B					S437B2201	
3" ASA 150				S461B2201		
3" ASA 300				S462B2201		
DIN 28459 'TW 1' / DN 80				S465B2201		
DIN 28459 'TW 3' / DN 100				S466B2201		
3" TTMA			S467B2201			
4" TTMA			S468B2201			
undrilled Ø 210 mm	SS	Other on request.				S420B4401
o. Bohrungen Ø 210 mm**)					S420B4401F	
DN 80 PN 10/ 6 Type B			12,7	28.0	S436B4401	
DN 80 PN 10 / 16 Type B**)					S436B4401F	
DN 80 PN 25 / 40 Type B					S437B4401	
DN 80 PN 25 / 40 Type B**)					S437B4401F	
DN 80 PN 25 / 40 Type E					S435B4401F	
3" ASA 150			13,2	29.1	S461B4401	
3" ASA 150**)			13,2	29.1	S461B4401F	
3" ASA 300					S462B4401	
3" ASA 300**)		14,6	32.2	S462B4401F		
DIN 28459 'TW 1' / DN 80				S465B4401		
DIN 28459 'TW 3' / DN 100				S466B4401		
3" TTMA				S467B4401		
4" TTMA				S468B4401		
undrilled Ø 210 mm		PEEK				S420B9901
DN 80 PN 10 / 16 Type B				S436B9901		
3" ASA 150				S461B9901		

According to  
NATO STANAG 3756



\*) Type E (with spigot),  
EN 1092-1, see page 44

\*\*\*) Flange with standard thickness

<sup>1)</sup> PN 10 / 16 / 25 / 40 = EN 1092  
(types see page 44),  
ASA = ANSI B16.5 (150 o. 300 psi),  
DIN 28459 = old standard TW, 10 bar.  
TTMA = Truck Trailer Manufacturers Association

<sup>2)</sup> Material: Al = Aluminium, GM = Gunmetal,  
SS = Stainless Steel

<sup>3)</sup> Standard seal FPM/FKM. Alternative  
materials, e.g. EPDM, Chemraz®,  
Kalrez®, NBR or HNBR on request

Viton® and Teflon® are registered  
trademarks of DuPont, DuPont Elastomers.