

HOW TO BUILD A STOCK PLATFORM

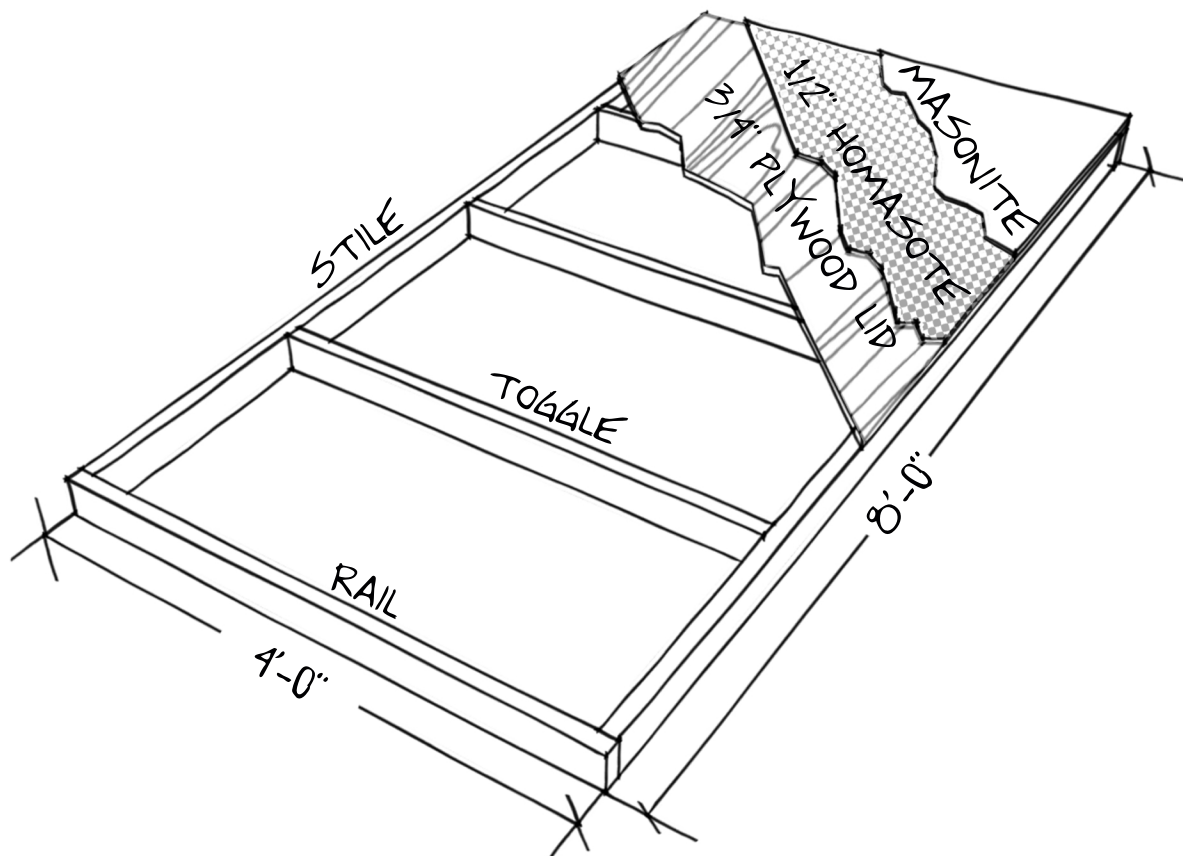
The platform is a staple of scenic elements for the stage. Listed below are the typical elements of a platform:

The platform is commonly constructed using 2x4 lumber for framing. There are three component pieces - the rails, the stiles, and the toggles.

When making a platform, first combine 2) 4'-0" rails with 2) 7'-9" stiles to create a 4' x 8' rectangle. The stiles are sandwiched inside the rails. 3" screws are the typical fastener used for attaching the component pieces.

After this, add 3) 3'-9" toggles sandwiched between the stiles. The spacing is one toggle every 2'-0".

After creating the frame, a 3/4" plywood lid is screwed in place, using 2" screws for fasteners.



By itself, the platform is suitable for holding up human weight, but typically requires padding to dampen the sound of footfalls. Quite often, technicians use **homasote**, a compressed sheet of recycled paper, as a sound dampening component.

Atop this layer of homasote is placed a sheet of 1/4" Masonite (sometimes called hardboard). This rigid, smooth sheet good is an excellent material upon which to paint.