

ROBUS®

QUALITY PRODUCTS BY LED GROUP

LED DECKING KITS

R3LED5S IP68 5 Fitting Kit, Circular (3 SMD LEDs)
R3LED10S IP68 10 Fitting Kit, Circular (3 SMD LEDs)

PLEASE READ INSTRUCTION BEFORE COMMENCING INSTALLATION AND RETAIN FOR FUTURE REFERENCES.
! Electrical products can cause death or injury, or damage to property. If in any doubt about the installation or use of this product, consult a competent electrician

Note:

Product technical information and specification may change over time without prior notification
For the latest technical information please visit our web site www.ledgrouprobust.com or robustdirect.com

Specifications

Deck lights for indoor or outdoor use, with 3 super bright light emitting diodes (L.E.D) with cable with double insulated safety isolation transformer with Safety Extra Low Voltage (SELV) equivalent output. Protection against electric shock: Luminaires Class III, (SELV)

Transformer: Class II, SELV equivalent output.

Dimensions: Top flange diameter 30mm, 0.5 mm thick
 Body diameter 20mm, depth 25mm Cut -out size 22mm

Junction box: (L) 140mm, (W) 115mm, (D) 38mm. IP44

Supply: 220V-240V AC 50Hz (approx 10W incl. transformer)

Ta range: -20°C < ta < +40°C

CABLE LENGTH:

Flex cable from transformer 2m

Transformer to junction box 5m

Junction box to fitting 5m

Suitable for mounting on normally flammable surface, e.g. wooden decking

Luminaire protection: IP68

Transformer protection: IP44,

Rain proof: Do not locate where water may pool

Installation

- 1 Ensure mains supply is switched off before commencing work.
- 2 Location:
 Avoid: positions in decking centre where pedestrian may trip on edge of light. Check wiring path layout, cable lengths, and suitable transformer locations etc before commencing work. If connector between transformer and fittings (low voltage output line) is to be buried, ensure that drainage is provided so that junction point does not become waterlogged.
- 3 The body may be fixed directly into wooden decking. This requires a cut-out hole 22mm diameter in the deck.
- 4 The transformer and luminaires must be connected to the junction box. Unscrew top of junction box and remove rubber seal. Connect luminaire plugs through the cut outs in the 2 sides of the junction box. The transformer plug must be connected through the top cut out. Replace rubber seal and top of junction box and tighten screws.

5 Safety note! The transformer or junction box must not be buried in the ground. It is protected against water splashes but must not be located where it may become waterlogged. The power supply cord must not be exposed to mechanical damage. For correct mounting of junction box please refer to Figure 2

6 Use only with a mains supply that is protected by a residual current circuit breaker (RCCB).

7 This kit has no user serviceable parts. If mains wiring or transformer is damaged, disconnect from mains and discontinue use.

Stainless Steel Fittings – General Maintenance Instructions

The stainless steel trim on this product has very high resistance to corrosion. Despite this, blotches may appear on the surface of the stainless steel. They can be removed by a soft cloth soaked with neutral oil (WD-40 or equivalent). The cause of the blotching is due to some free iron atoms from the polishing wire brushes remaining on the surface and these atoms are outside the protection afforded by the nickel and chrome alloys in the steel.

Note: - If the product is exposed to very corrosive environmental conditions (sea fronts, salty atmospheres etc) it will require additional maintenance. Before installing, the stainless steel parts must be treated with neutral oil, which must penetrate all the joints. After treatment, dry with a soft cloth. In very corrosive environments, the treatment with oil must be repeated at least 4 times a year. In cases of serious corrosion use an abrasive paste (specifically designed for stainless steel or chrome) to remove the stain and then apply the neutral oil again.

Attention: Wood preservative and solvents can damage insulation on electric cables. Allow treatment to dry prior to installing deck lights. Do not apply preservatives after installing.

Information for the Product user:

1. Please note the requirement to dispose of Waste Electrical & Electronic Equipment separately from household waste (WEEE marked with crossed out wheelie bin symbol).
2. Please consider your role in contributing to re-use and recycling by returning this product at end of life to a collection centre for waste electrical equipment or a Civic Amenity site, or to a retail outlet from which you are purchasing a replacement.
3. This equipment may contain substances that are hazardous to health and the environment if disposed of carelessly. It is important that it is separated from normal household waste and recycled in the WEEE chain
4. The "crossed out wheelie bin symbol" on a product indicates this equipment must not be disposed of in normal household waste, but should be disposed of according to local WEEE regulations

The Installation must be carried out by an electrician

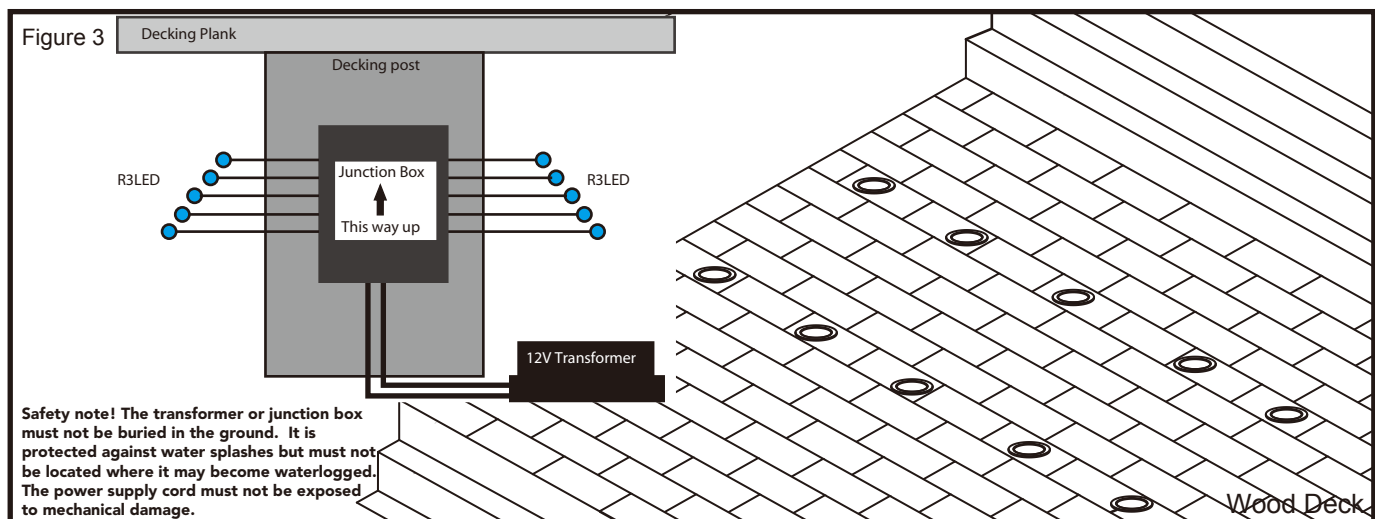
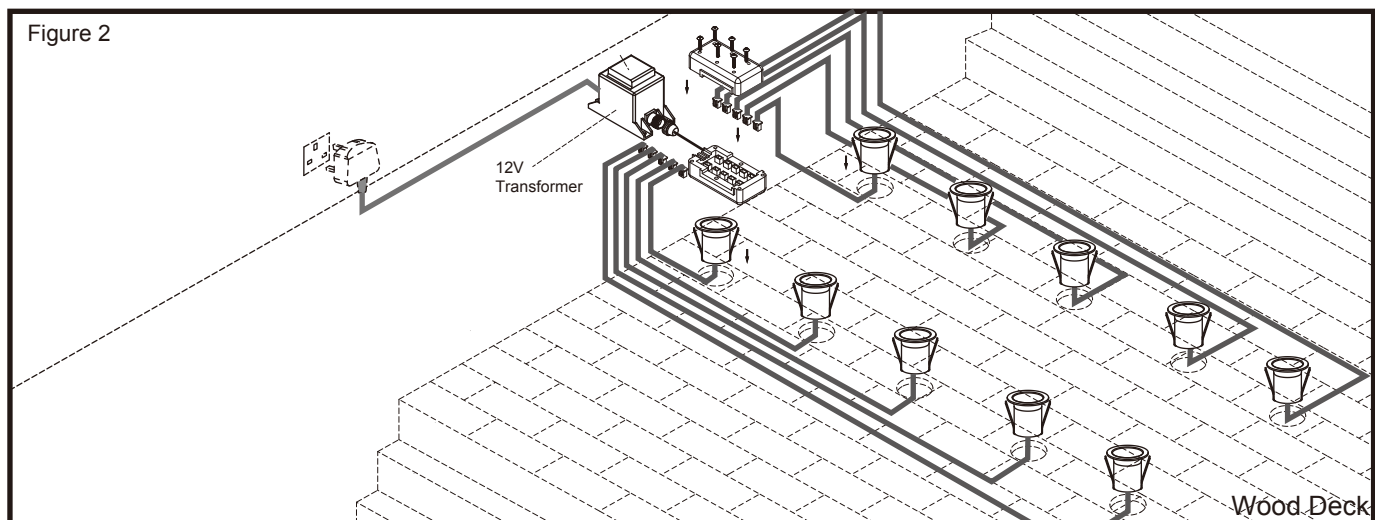
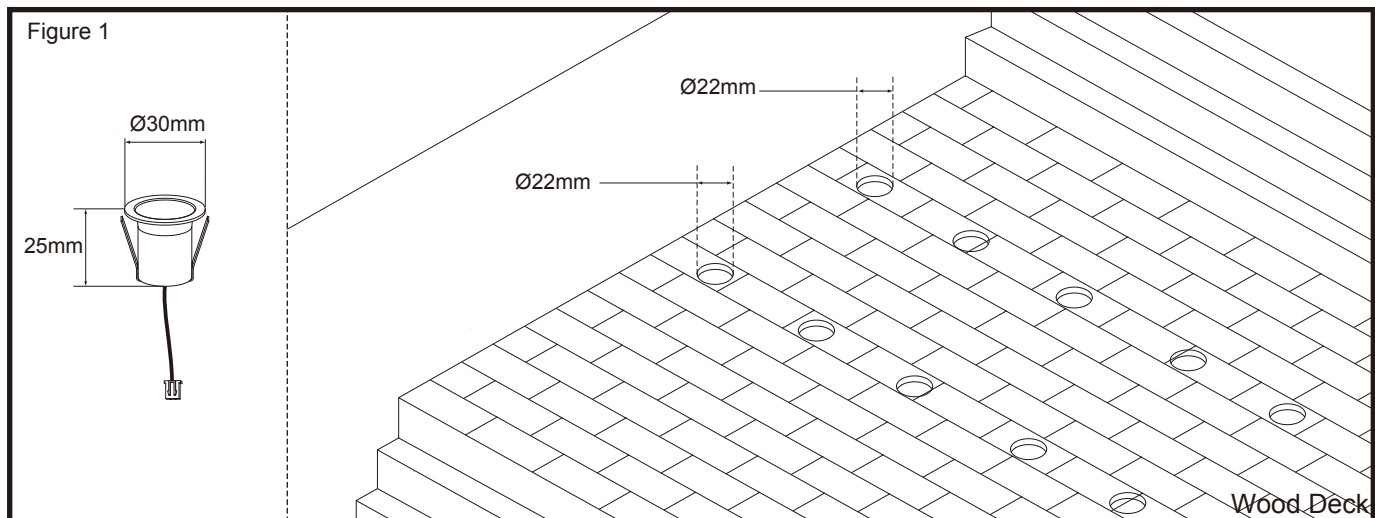
LED Group

Western Retail Park
 Nangor Road
 Dublin 12
 Ireland
 Issue 2 200415

Tel: +353 1 7099000
 Fax: +353 1 7099060
 Email: info@led.ie
 Website: www.led.ie



Installation diagram



Information for the Product user:

1. Please note the requirement to dispose of Waste Electrical & Electronic Equipment separately from household waste (WEEE marked with crossed out wheelee bin symbol).
2. Please consider your role in contributing to re-use and recycling by returning this product at end of life to a collection centre for waste electrical equipment or a Civic Amenity site, or to a retail outlet from which you are purchasing a replacement.
3. This equipment may contain substances that are hazardous to health and the environment if disposed of carelessly. It is important that it is separated from normal household waste and recycled in the WEEE chain
4. The "crossed out wheelee bin symbol" on a product indicates this equipment must not be disposed of in normal household waste, but should be disposed of according to local WEEE regulations

The Installation must be carried out by an electrician

LED Group

Western Retail Park
Nangor Road
Dublin 12
Ireland

Tel: +353 1 7099000
Fax: +353 1 7099060
Email: info@led.ie
Website: www.led.ie

