

ROBUS®

QUALITY PRODUCTS BY LED GROUP

Compact 16W&28W 2D Surface Fitting

RC162DP C/W Prismatic diffuser, black/white Base

RC162DO C/W Opal diffuser, black/white Base

RC282DP C/W Prismatic diffuser, black/white Base

RC282DO C/W Opal diffuser, black/white Base

Please read instruction before commencing installation and retain for future reference.

Specification:

Model No:	RC162DO-01/04 RC162DP-01/04	RC282DO-01/04 RC282DP-01/04
Supply Voltage:	220/240V 50Hz	220/240V50Hz
Power Consumption:	16W	28W
Cap type:	GR10q	GR10q
Colour Temperature:	3500K	3500k
CRI:	>80	>80
Storage temp Range:	-5°C < ta < 60°C	-5°C < ta < 60°C
Operating temp Range:	-5°C < ta < 25°C	-5°C < ta < 25°C
IP Rating:	65	65
Safety Classification:	Class I	Class I
Diameter:	221mm	284mm
Depth:	83	87
Weight:	0.7kg	1.2kg
Warranty:	1 Years	1 Years

Suitable for mounting on a normally flammable surface
Minimum distance from illuminated object is 0.5 metre
Safety and performance in accordance with EN60598-1, EN60598-2-1,
EN61000-3-2, EN61000-3-3
Suitable for Indoor or outdoor use, wall or ceiling mounted.

Installation:

!Electrical products can cause death or injury, or damage to property. If in any doubt about the installation or use of this product, consult a competent electrician.

- 1 Ensure mains supply is switched off before commencing work
- 2 Remove cover and gear tray and drill out relevant cable entry point
- 3 Mark appropriate fixing points on wall or ceiling; check that fixings will not impinge on concealed cables or pipes before drilling holes. Where fitting must be weatherproof, apply silicon sealant to fixings.
- 4 Fit cable gland (if weatherproofing necessary) and introduce supply cable.
- 5 Ensure there is at least 100mm of free space around the luminaire location
- 6 Connect supply cables Live, Neutral and Earth to fitting terminals
- 7 Refit reflector plate and diffuser

!Ensure mains supply is off. !When operating the lamp is too hot to touch. Switch off and allow to cool before undertaking any maintenance work.

SWITCHING AND OPERATION INFORMATION FOR ROBUS LIGHTING PRODUCTS

ROBUS lighting products are suitable for use with standard switch, pull cord, retractive switch and PIRs, however certain guidelines should be adhered to in order to maximise lamp and fitting life.

Estimated average lamp life claims are based on switching cycles of 2 ¾ hours on, ¼ hour off. Switching cycles of shorter duration may affect lamp and ballast life significantly.

To reduce the detrimental effect of short switching cycles, fittings should be left on or controls set to a minimum of 15 minutes, preferably 30 minutes, but even these time delay periods may reduce average lamp/ballast life.

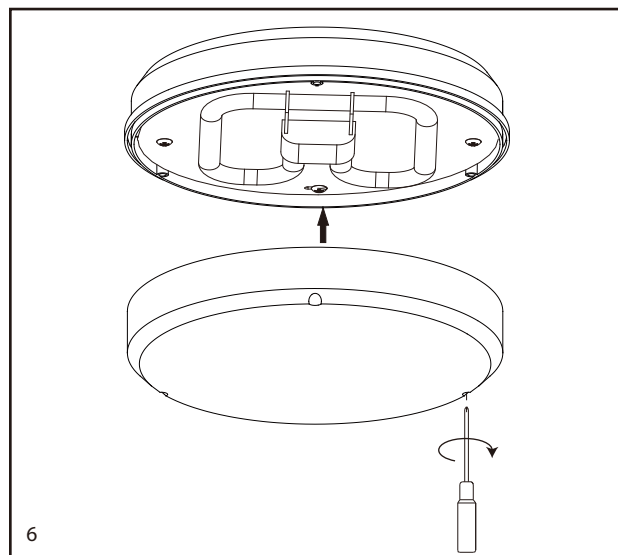
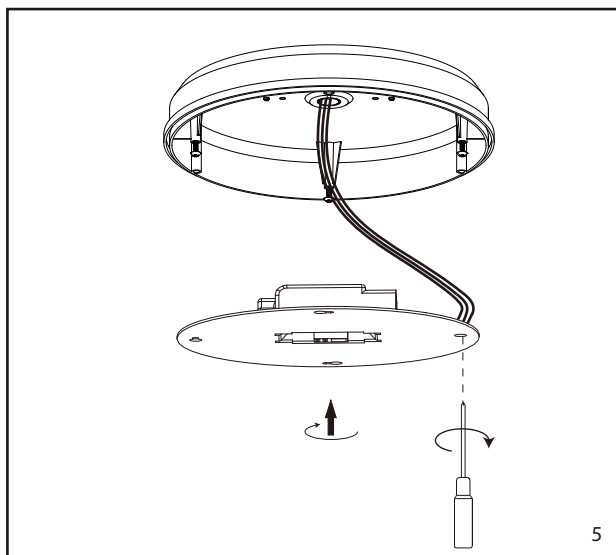
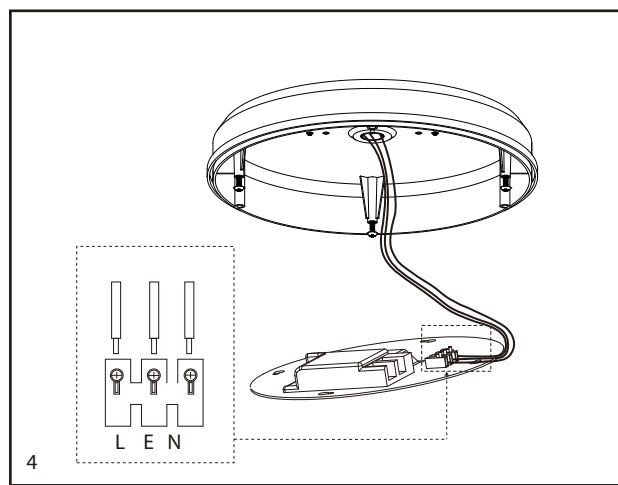
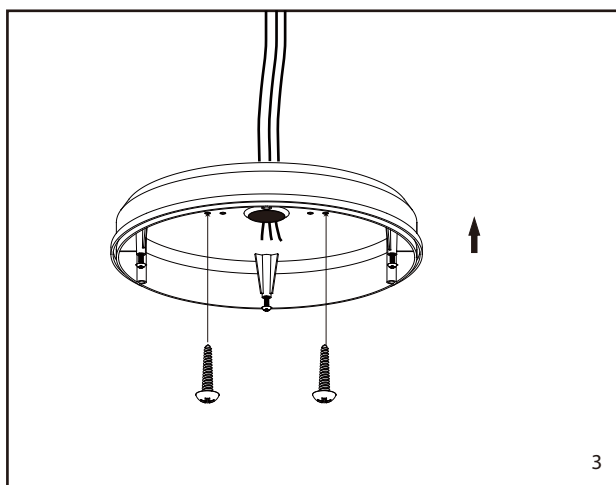
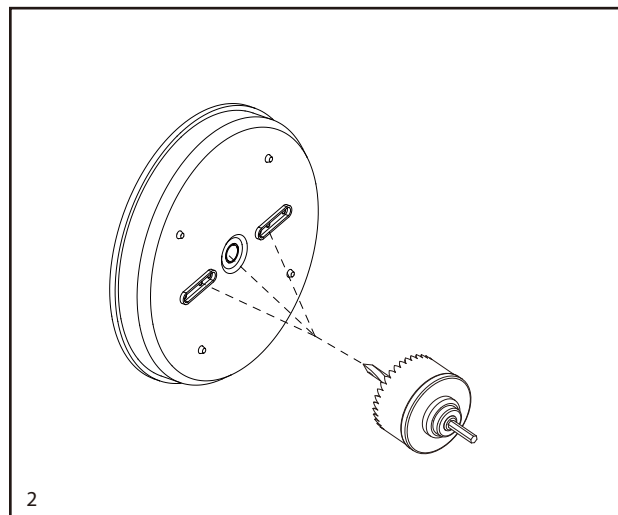
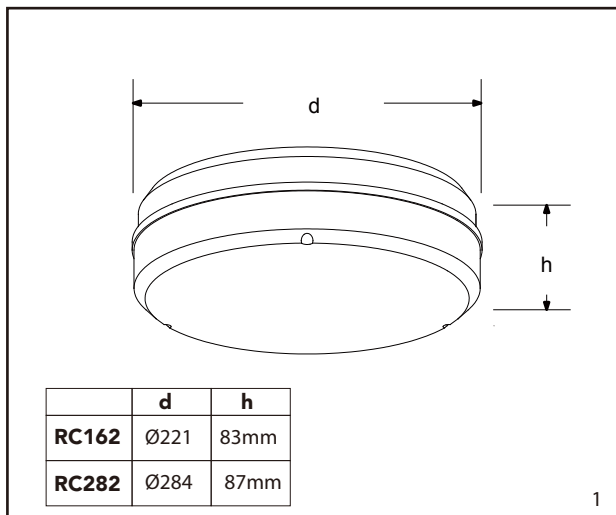
Damaged lamps should be replaced promptly. A damaged lamp left unchanged for a long period can lead to control gear damage.

These fittings are not suitable for installation where ambient air temperature is above 25°C

Note:

Product technical information and specification may change over time without prior notification
For the latest technical information please visit our web site www.ledgrouprobust.com or robustdirect.com

Installation diagram:



Information for the Product user

1. Please note the requirement to dispose of Waste Electrical & Electronic Equipment separately from household waste (WEEE marked with crossed out wheelie bin symbol).
2. Please consider your role in contributing to re-use and recycling by returning this product at end of life to a collection centre for waste electrical equipment or a Civic Amenity site, or to a retail outlet from which you are purchasing a replacement.
3. This equipment may contain substances that are hazardous to health and the environment if disposed of carelessly. It is important that it is separated from normal household waste and recycled in the WEEE chain.
4. The "crossed out wheelie bin symbol" on a product indicates this equipment must not be disposed of in normal household waste, but should be disposed of according to local WEEE regulations.

The Installation must be carried out by an electrician

LED Group

Western Retail Park
Nangor Road
Dublin 12
Ireland

Tel: +353 1 7099000
Fax: +353 1 7099060
Email: info@led.ie
Website: www.led.ie



RoHS
compliant

