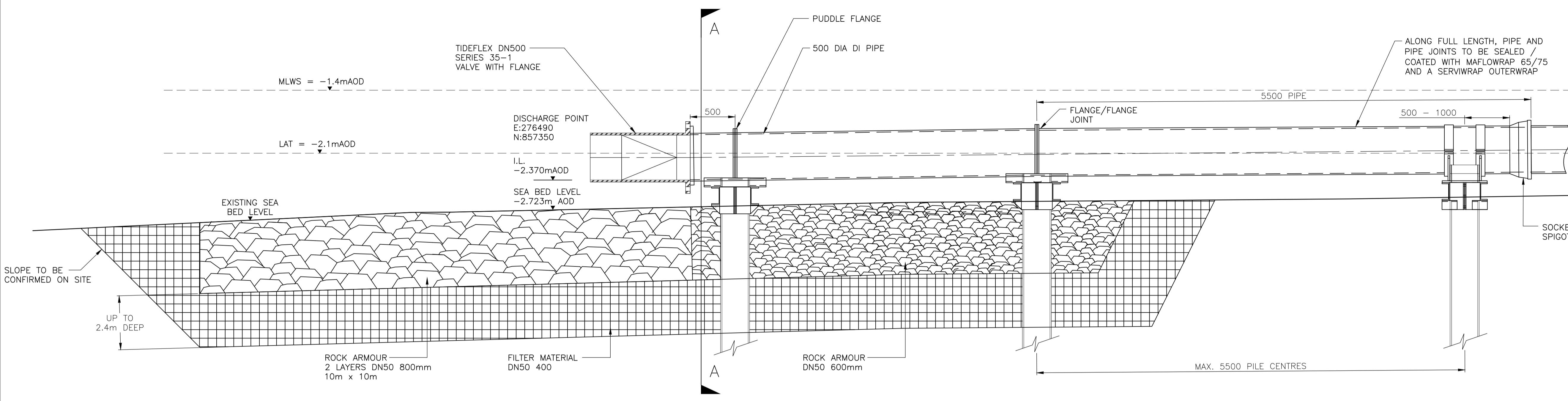
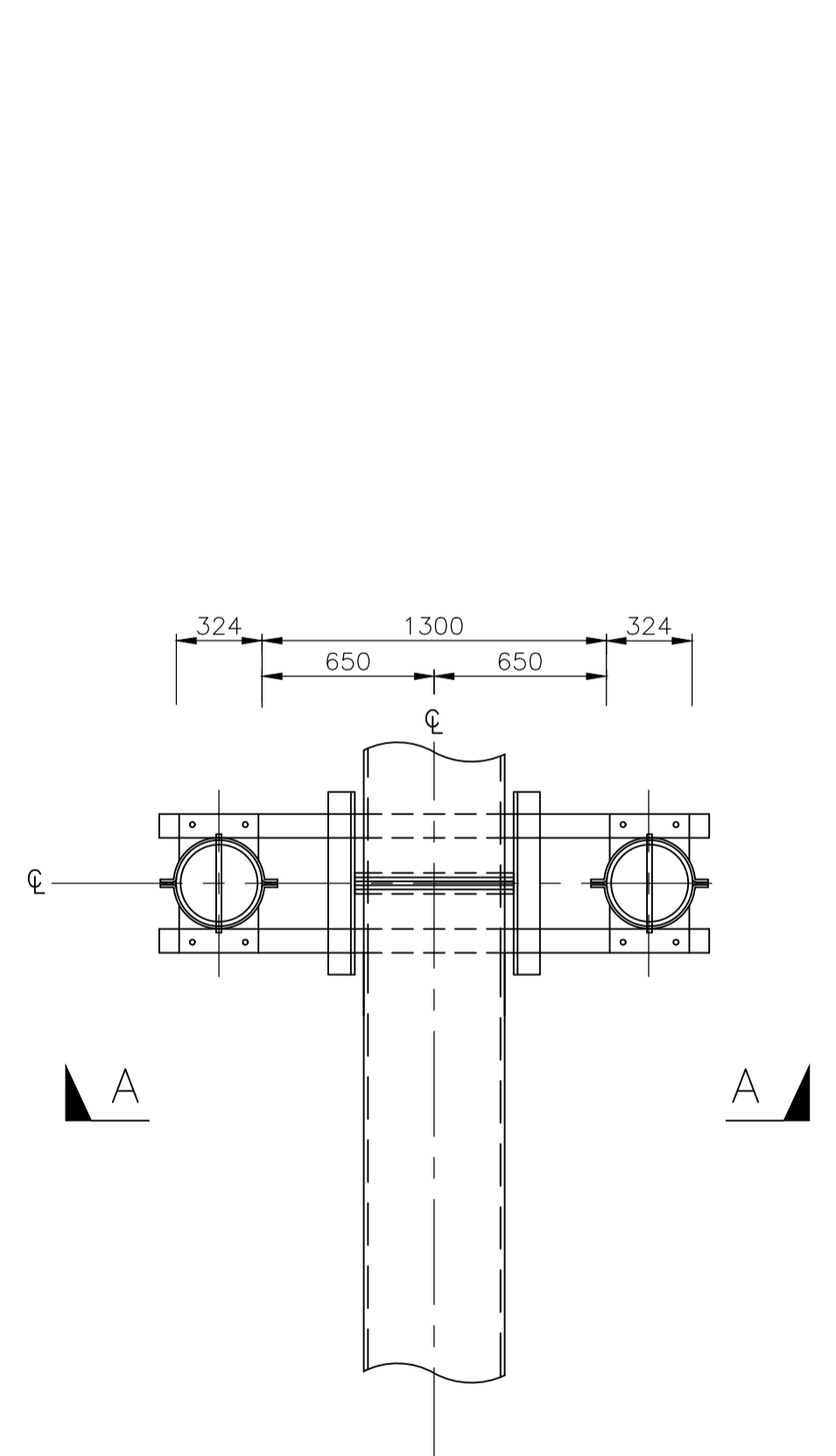


- NOTES:
1. ALL DIMENSIONS ARE IN MILLIMETRES UNLESS STATED OTHERWISE.
 2. ALL LEVELS ARE IN METRES ABOVE ORDNANCE SURVEY DATUM UNLESS STATED OTHERWISE.
 3. IF DISCHARGE POINT IS NOT FOUND ON SOUND ROCK, CONTRACTOR MUST REMOVE ALL SOFT UNSTABLE MATERIAL ABOVE SOUND ROCK LEVEL AND BACKFILL WITH MASS CONCRETE FROM ROCK LEVEL TO FORMATION LEVEL.
 4. ALL CONCRETE TO BE SULPHATE RESISTANT.

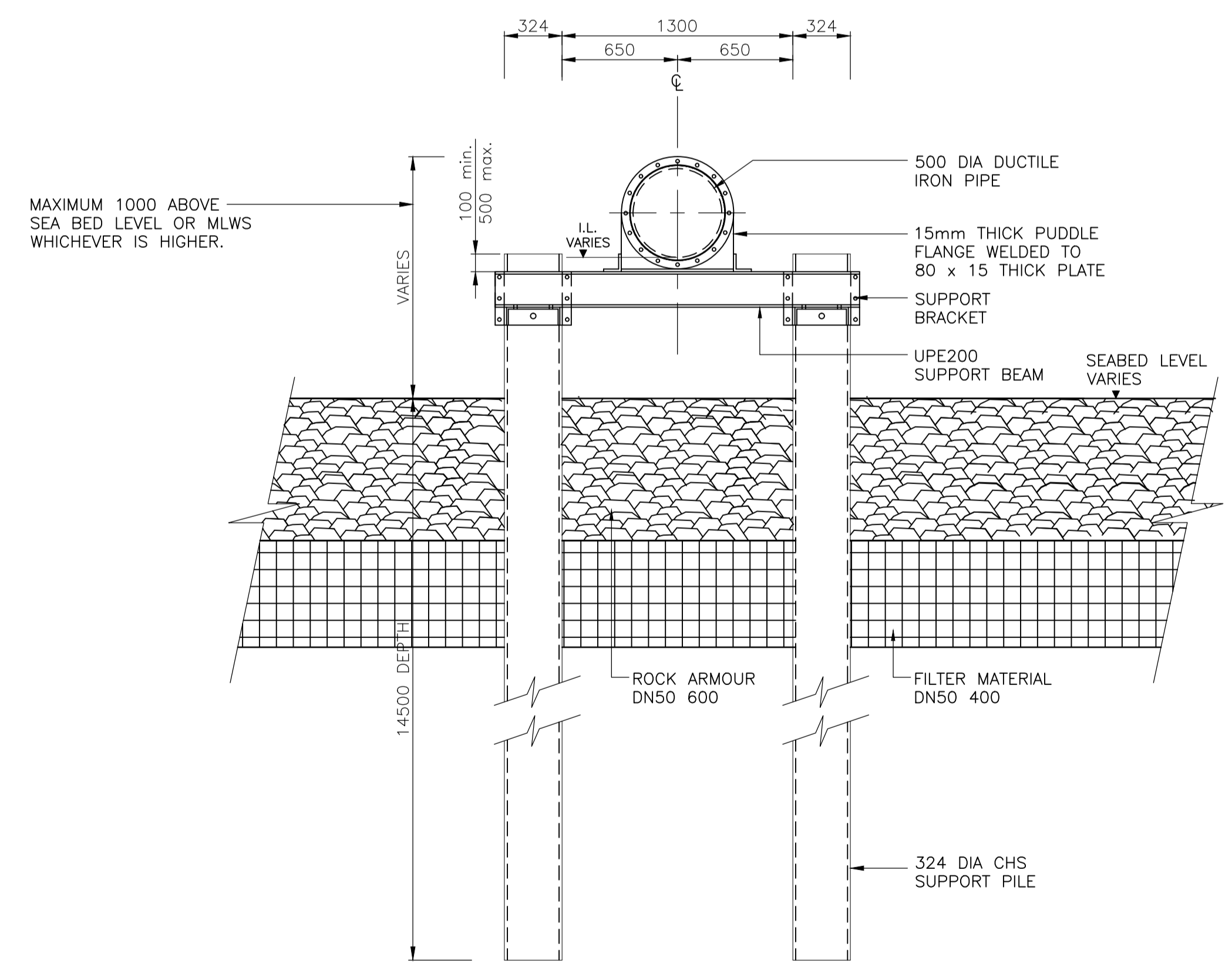
- REFERENCE FILES:
- 500649-WW-DRA-04141100 LAYOUT PLAN
 - 500649-WW-DRA-04141200 LONGITUDINAL SECTION
 - 500649-WW-DRA-04141300 NEW MANHOLE DETAIL
 - 500649-WW-DRA-04141302 PIPE SUPPORT DETAIL
 - 500649-WW-DRA-04141303 PIPE SUPPORT DETAIL AT SHORE
 - 500649-WW-DRA-04141304 CATHODIC PROTECTION ANODE DETAILS



SECTION THROUGH PIPE AT OUTFALL
SCALE 1:25



PUDDLE FLANGE PLAN
SCALE 1:25



SECTION A-A
SCALE 1:25

| Rev | Description | Drawn | Chk'd | App'd | Date |
|-----|-----------------|-------|-------|-------|----------|
| 0A | FOR INFORMATION | SF | DB | KB | 26.08.16 |

Scottish Water
Always serving Scotland

SCOTTISH WATER
CASTLE HOUSE
6 CASTLE HOUSE
DUNFERMLINE
FIFE KY11 8GG
TEL: 01383 848200
FAX: 01383 848371

amey-BLACK & VEATCH
Pavilion 2, Buchanan Gate Business Park, Stepps, Glasgow, G33 6FB

| Originated By | Drawn By | Checked By | Approved By |
|---------------|-----------------|------------|-------------|
| JM | SF | DB | KB |
| Date | Date | Date | Date |
| 18.4.16 | 19.4.16 | 16.08.16 | 16.08.16 |
| Scale | Status | | |
| 1:25 | FOR INFORMATION | | |

Project Title
**ARDERSIER WWTW
PROPOSED OUTFALL EXTENSION**

Drawing Title
OUTFALL DISCHARGE POINT

ELLIPSE EQUIPMENT No.
ELLIPSE PLANT No. | AUTOCODE No. 500649
Drawing No.
500649-WW-DRA-04141301-0A

