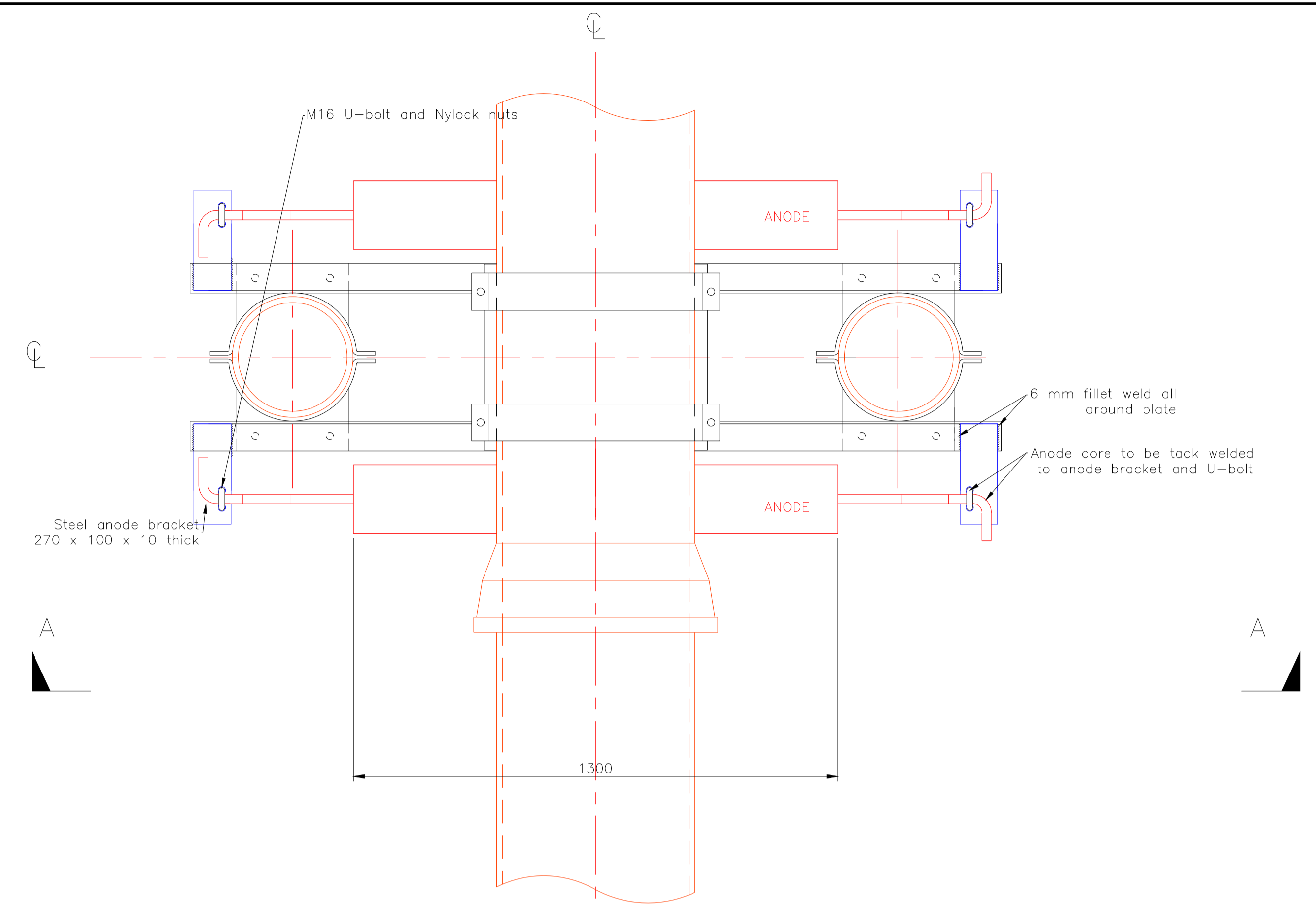


Summary of anode requirements							
Anode Length (mm)	Anode width (mm)	Anode height (mm)	Core diameter (mm)	Net weight (kg)	Gross Weight (kg)	Number of anodes (Each pipe support)	Total number of anodes (No.)
1300	184	159	25	101	107	2	108

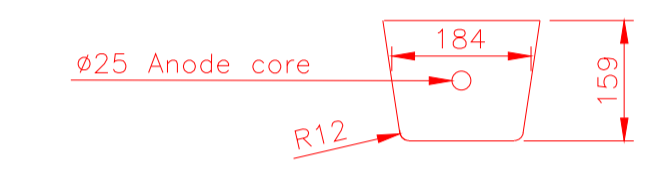
- NOTES:
- ALL DIMENSIONS ARE IN MILLIMETRES UNLESS STATED OTHERWISE.
 - THIS DESIGN ASSUMES THAT THE PIPE SUPPORT IS MADE ELECTRICALLY CONTINUOUS WITH THE STEEL PILES.
 - ANODE BRACKET AND PIPE SUPPORT TO BE MANUFACTURED TOGETHER (INCLUDING APPLICATION OF COATING).
 - AREA WHERE TACK WELDS ARE TO BE ARE TO BE LEFT UNCOATED AS SHOWN ON THIS DRAWING.

- RELATED FILES:
- 500649-WW-DRA-04141100 LAYOUT PLAN
 - 500649-WW-DRA-04141200 LONGITUDINAL SECTION
 - 500649-WW-DRA-04141300 NEW MANHOLE DETAIL
 - 500649-WW-DRA-04141301 OUTFALL DISCHARGE POINT
 - 500649-WW-DRA-04141302 PIPE SUPPORT DETAIL
 - 500649-WW-DRA-04141303 PIPE SUPPORT DETAIL AT SHORE

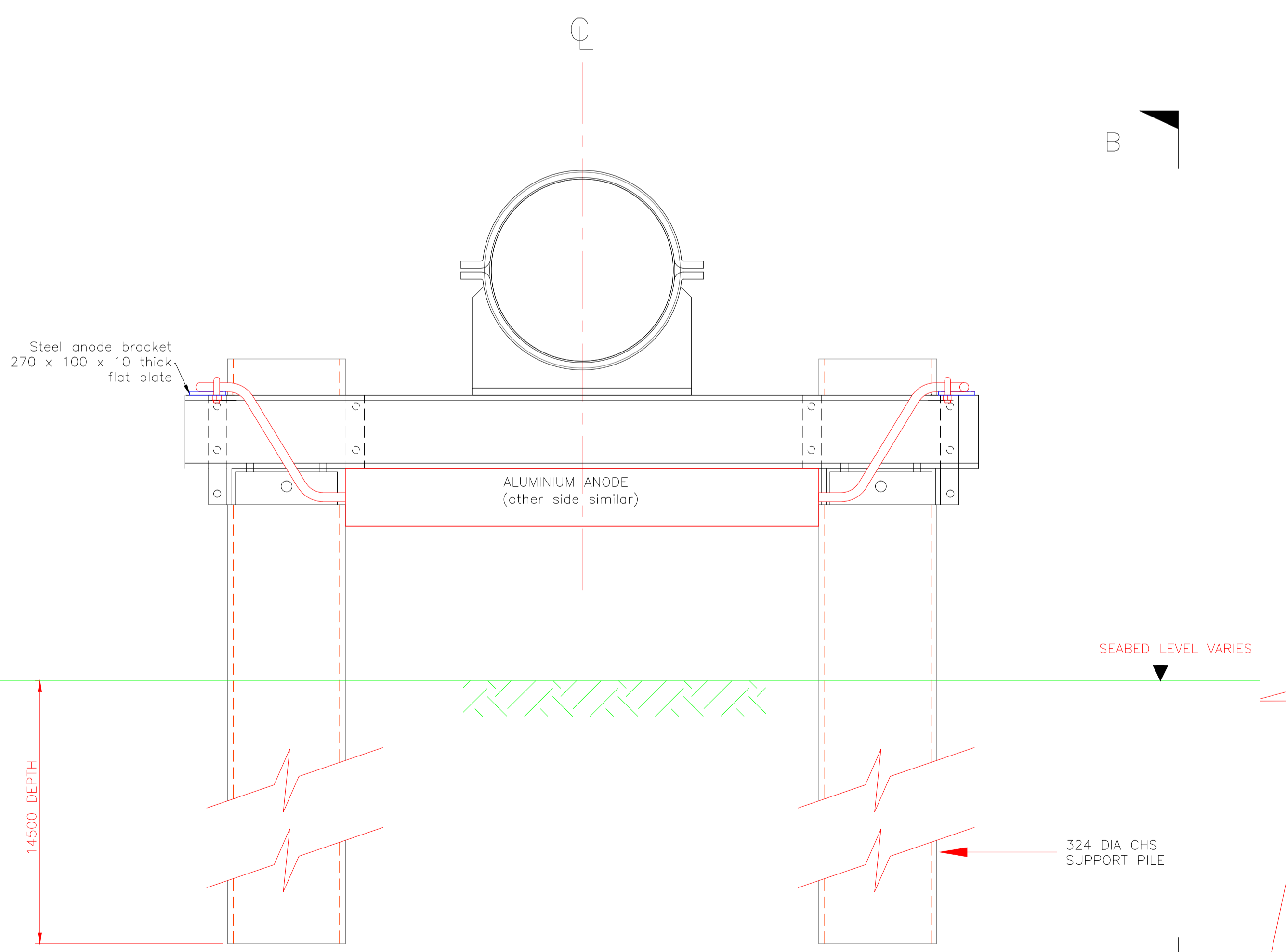


PLAN
SCALE 1:10

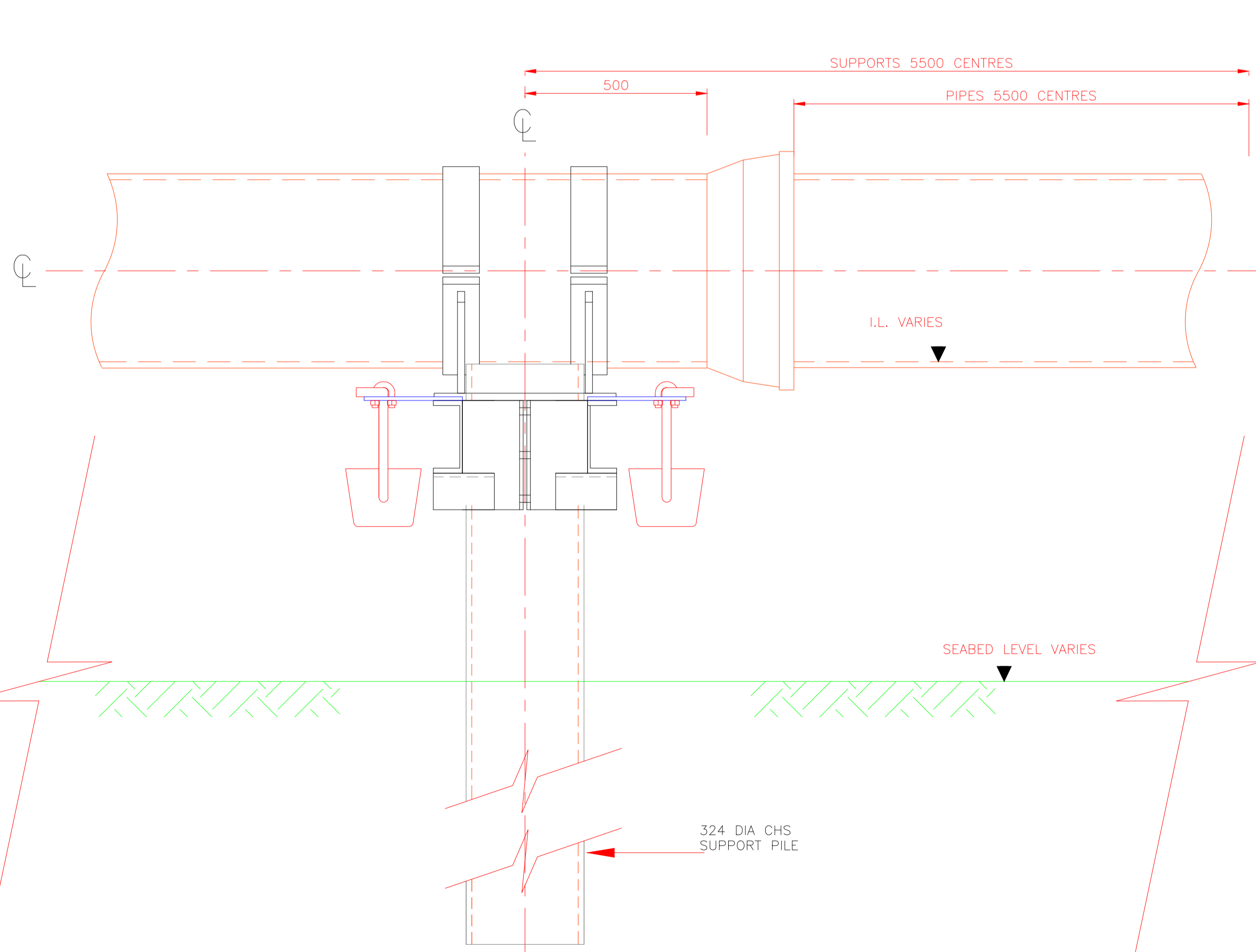
PIPE SUPPORT DETAILS OMITTED FOR CLARITY - SEE DRG. 500649-WW-DRA-04141302 FOR DETAILS



TYPICAL SECTION THROUGH ANODE
SCALE 1:10



SECTION A-A
SCALE 1:10



SECTION B-B
SCALE 1:10

Rev	Description	Drawn	Chkd	App'd	Date
0A	FOR INFORMATION	GJJ	ZY	AAS	06.08.16

This drawing is the property of Scottish Water and must not be copied or used for any purpose other than that for which it is supplied without the written consent of Scottish Water.

Scottish Water
Always serving Scotland

SCOTTISH WATER
CASTLE HOUSE
6 CASTLE HOUSE
CARNegie CAMPUS
DUNFERMLINE
FIFE KY11 8GG
TEL: 01383 848200
FAX: 01383 848371

amey·BLACK & VEATCH
Pavilion 2, Buchanan Gate Business Park, Stepps, Glasgow, G33 6FB

Originated By	Drawn By	Checked By	Approved By
GJJ	GJJ	ZY	AAS
Date	Date	Date	Date
26.08.16	26.08.16	26.08.16	26.08.16
Scale	Status		
1:10	FOR INFORMATION		

Project Title
**ARDERSIER WWTW
PROPOSED OUTFALL EXTENSION**

Drawing Title
CATHODIC PROTECTION ANODE DETAILS

ELLIPSE EQUIPMENT No.
ELLIPSE PLANT No.
Drawing No.
500649-WW-DRA-04141304-0A

AUTOCODE No. 500649