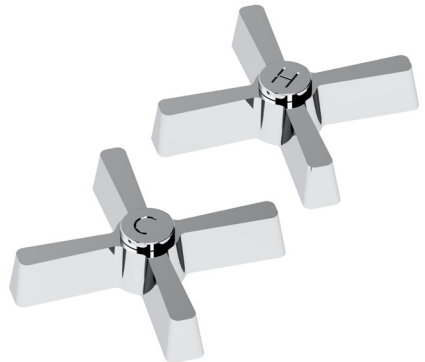
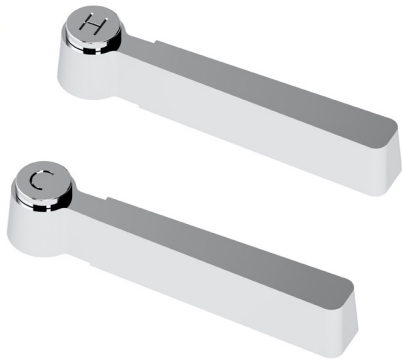


SAMUEL HEATH

Product Data Sheet

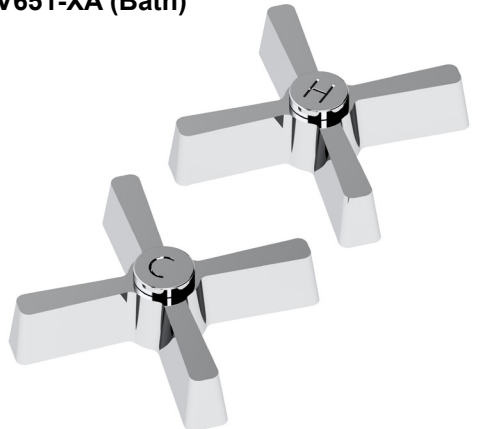
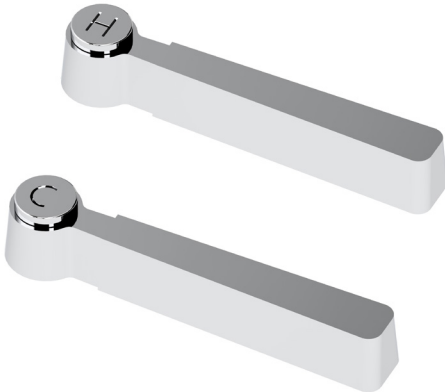
V651-M Levers (Pair)

V651-X Cross Tops (Pair)



V651-MA (Basin)

V651-XA (Bath)

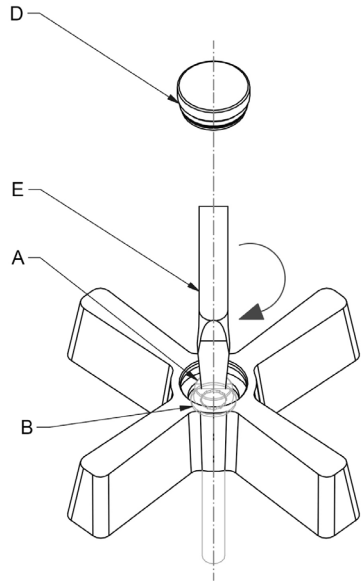
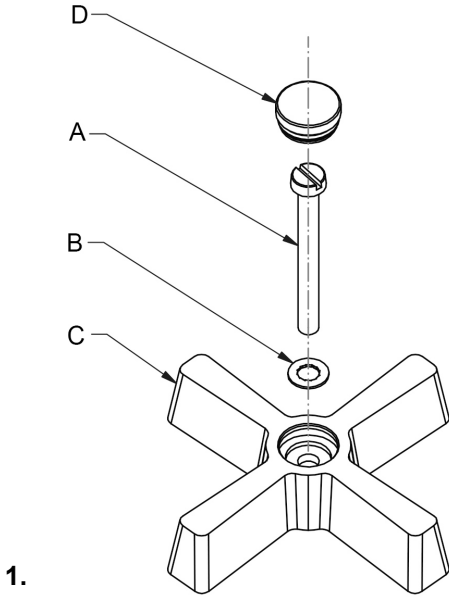


V651-MB (Basin)

V651-XB (Bath)

For more technical information visit:
www.Samuel-Heath.com

Fitting Instructions



1. Remove screw (A) and washer (B) from spindle.
2. Position cross top (C) to tap body and assemble anti-rotational washer (B) followed by screw (A).

Note: It is imperative that the anti-rotational washer is installed

3. Levers are also available (Assembly method is identical). Position lever at the preferred angle.
4. Using a flat edge screwdriver (E), tighten the screw (A) down against the anti-rotational washer (B) to its fullest extent.
5. Insert the indice (D) to complete assembly.

SAMUEL HEATH
Head Office and Customer Service
Leopold Street
Birmingham
England
B12 0UJ

T: +44 (0)121 766 4200
F: +44 (0)121 772 3334

Info@samuel-heath.com
www.samuel-heath.com

US Customer Service
Federal I.D. No. 58-1504682
www.samuel-heath.com

8-40301
Issue: C