

# SAMUEL HEATH

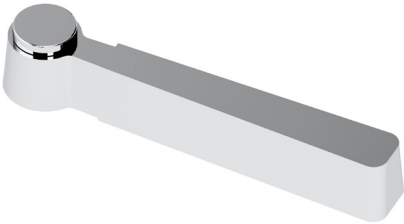
## Product Data Sheet

V621-TM Lever (Single)

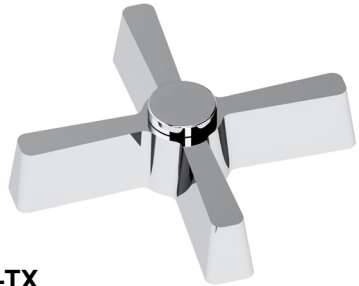
V621-TX Cross Top (Single)

V621-TD Luxe Roundel (Single)

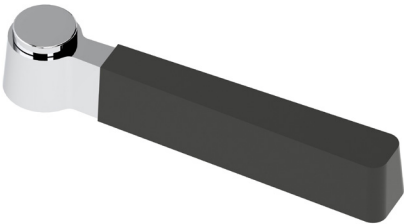
---



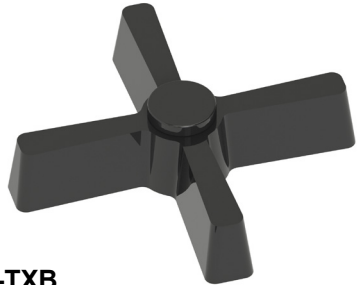
**V621-TM**



**V621-TX**



**V621-TMB**



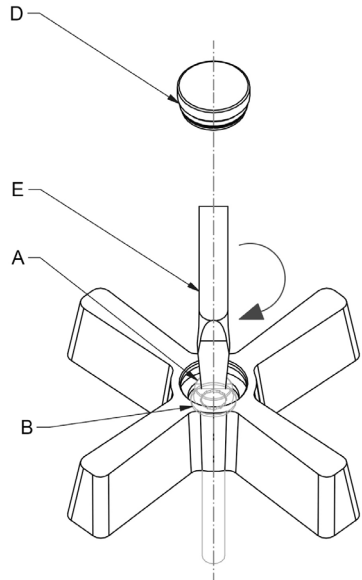
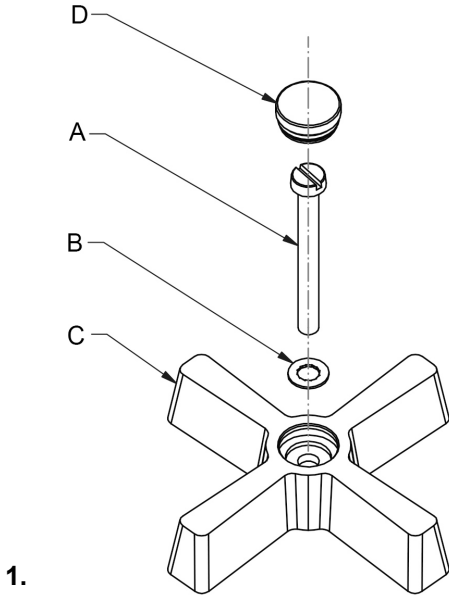
**V621-TXB**



**V621-TD**

For more technical information visit:  
[www.Samuel-Heath.com](http://www.Samuel-Heath.com)

# Fitting Instructions



1. Remove screw (A) and washer (B) from spindle.
2. Position cross top (C) to tap body and assemble anti-rotational washer (B) followed by screw (A).

**Note:** It is imperative that the anti-rotational washer is installed

3. Levers are also available (Assembly method is identical). Position lever at the preferred angle.
4. Using a flat edge screwdriver (E), tighten the screw (A) down against the anti-rotational washer (B) to its fullest extent.
5. Insert the indice (D) to complete assembly.

**SAMUEL HEATH**  
**Head Office and Customer Service**  
Leopold Street  
Birmingham  
England  
B12 0UJ

T: +44 (0)121 766 4200  
F: +44 (0)121 772 3334

Info@samuel-heath.com  
www.samuel-heath.com

**US Customer Service**  
Federal I.D. No. 58-1504682  
www.samuel-heath.com

8-40301  
Issue: C