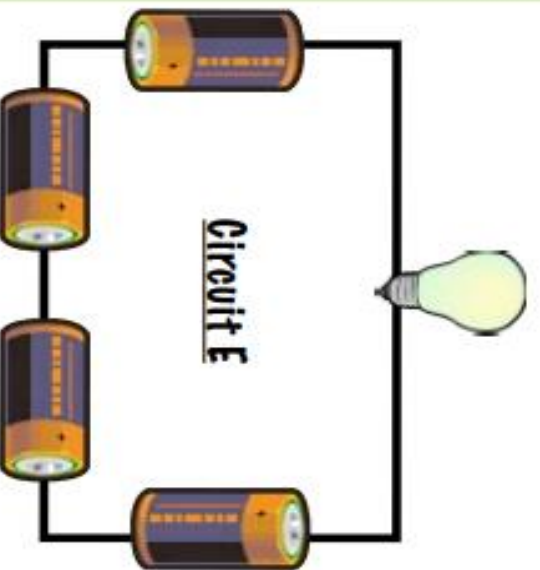
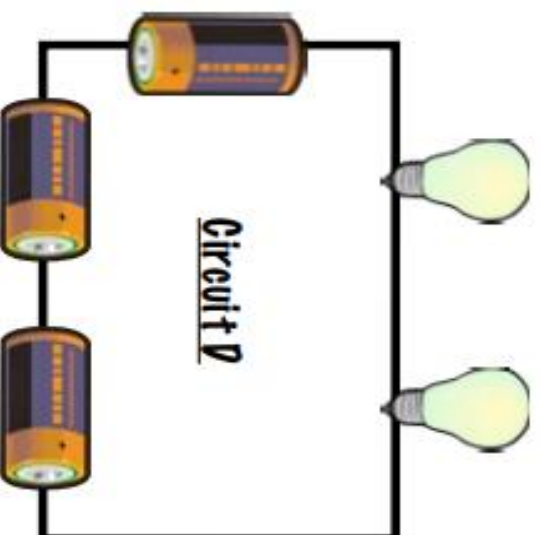
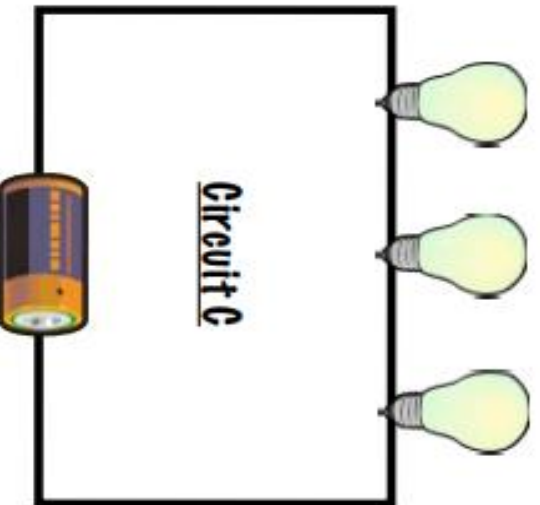
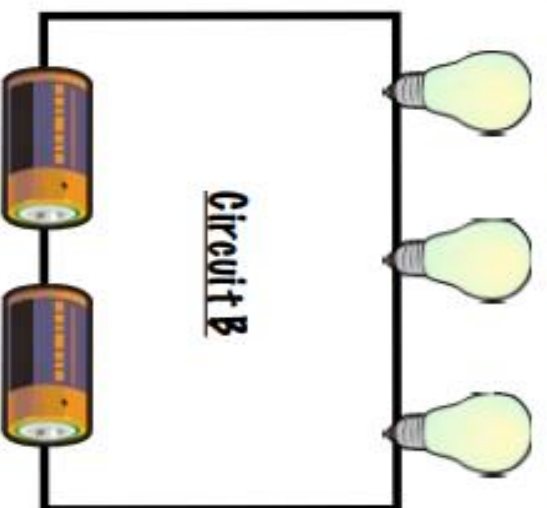
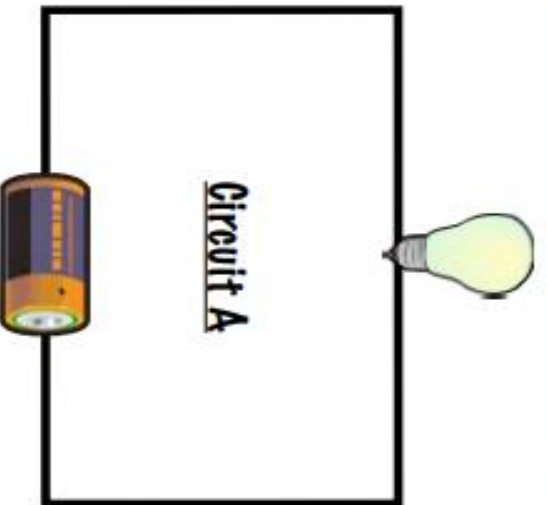


Can you order the bulbs in these circuits from the brightest to the dimmest? Each bulb can take 5V and each battery is 1.5V.



Dullest							Brightest