

# WL52

## Articulated Wheel Loaders



**WACKER  
NEUSON**  
*all it takes!*



### The classic on the construction site

The wheel loader WL52 should not be missing on any construction site. In addition to powerful hydraulics, it also offers an extremely easy-to-use joystick pilot control to allow operators fatigue-free working, even during long workdays. The powerhouse with lots of power in the engine also convinces with high ripping forces and amply dimensioned tipping cylinders. Ideally suited for frequent material handling and many loading cycles.

- Comfortably equipped cabin with optimal ergonomics and a clear overview
- Tilt-down operator's cab allows for easy access to the engine, hydraulics and electronics – which saves time and money
- Powerful hydraulics with many options (e.g. Highflow) for a wide range of attachments and applications
- Very high ripping forces due to the large-sized tipping cylinders
- WL52 with powerful Z-kinematics and low front carriage for extra tipping load and an overview of the working area



## WL52 Technical specifications

WL52

### Engine / Motor

Engine / Motor manufacturer	Deutz
Engine / Motor type	TCD 2.9 L4 S5
Cylinder	4
Engine performance	55.4 kW
at rpm Maximum	2,300 rpm
Displacement	2,900 cm <sup>3</sup>
Coolant type	Water <sup>2</sup> / <sup>2</sup> charge air
DEF Type	DPF/DOC
Emission standards stage	V

### Electrical system

Operating voltage	12 V
Battery	95 Ah
Alternator	95 A

### Weights

Operating weight	5,100 kg
Tipping load with bucket - machine straight	3,949 kg
Tipping load with bucket - machine at angle	3,416 kg
Tipping load with pallet fork - machine straight	3,055 kg
Tipping load with pallet fork - machine at angle	2,555 kg

### Vehicle data

Bucket capacity Standard bucket	0.85 m <sup>3</sup>
Traction drive	Hydrostatic via universal joint shaft
Axles	PA1400
Drivers cab	Cab
Speed (optional)	0-20 (30) km/h
Speed Level	2
Standard tires	405/70 R 18 EM ETO

### Hydraulic system

Driving hydraulics - operating pressure	450 bar
Operating hydraulics - operating pressure	220 bar
Operating hydraulics - discharge capacity	73.6 l/min
Operating hydraulics - discharge capacity (optional up to)	115 l/min

### Filling capacities

Fuel tank capacity	82 l
Hydraulic oil tank	66 l

### Sound level

Guaranteed sound power level LwA	101 dB(A)
----------------------------------	-----------

Specified sound pressure level LpA

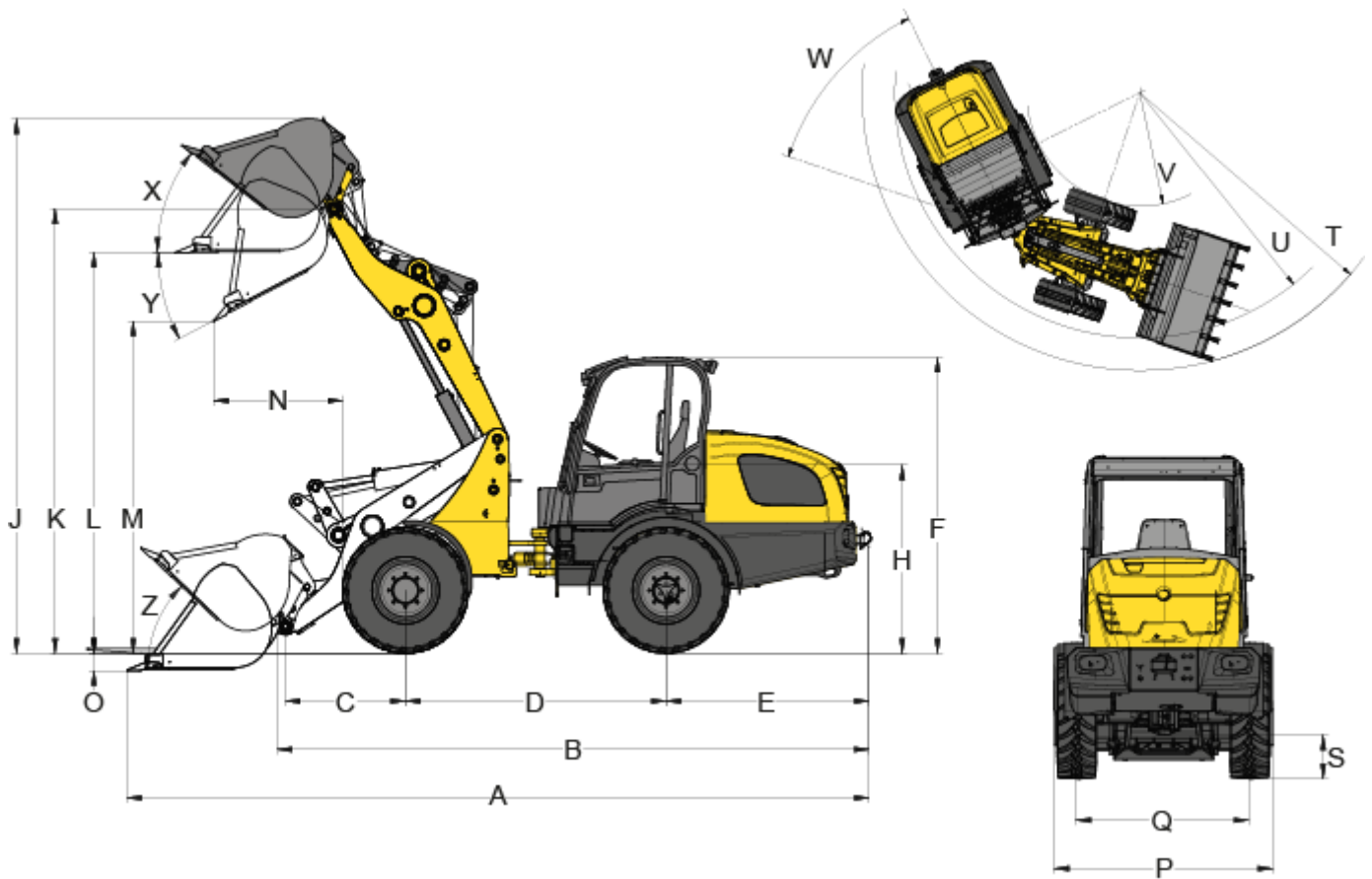
78 dB(A)

DOC = Diesel oxidation catalyst

DPF = diesel particulate filter

Tipping load calculation according to ISO 14397-EN474-3

## WL52 Dimensions



	Standard tires	405/70 R 18 EM ETO
A	Overall length	5,420 mm
B	Overall length without bucket	4,760 mm
C	Bucket pivot point to axle center	1,040 mm
D	Wheelbase	2,110 mm
E	Rear overhang	1,530 mm
F	Height with low cabin	2,498 mm
F	Height with high cabin	2,680 mm
H	Seat height	1,590 mm
J	Total operating height	3,930 mm
K	Stroke height max. - bucket pivot point	3,240 mm
L	Overhead loading height	2,980 mm
M	Dump height max.	2,470 mm
N	Range with M	625 mm
O	Scraping depth	96 mm
P	Overall width	1,810 mm
Q	Track width	1,400 mm
S	Ground clearance	370 mm
T	Radius maximum	4,240 mm
U	Radius at outer edge	3,850 mm

V	Inside turning radius	1,910 mm
W	Articulation angle	40 °
X	Bucket rollback at max. stroke height	71 °
Y	Dump angle Maximum	45 °
Z	Bucket rollback at ground level	43 °

All values with standard bucket: Digging bucket 1,900 mm, 0.80 m<sup>3</sup> and standard tires: 405/70 R 18 EM ETO

Please note: that product availability can vary from country to country. It is possible that information / products may not be available in your country. More detailed information on engine power can be found in the operator's manual; the stated power may vary due to specific operating conditions. Subject to alterations and errors excepted. Applicable also to illustrations.  
Copyright © 2019 Wacker Neuson SE.