

1 2 3 4 5 6 7 8

A A

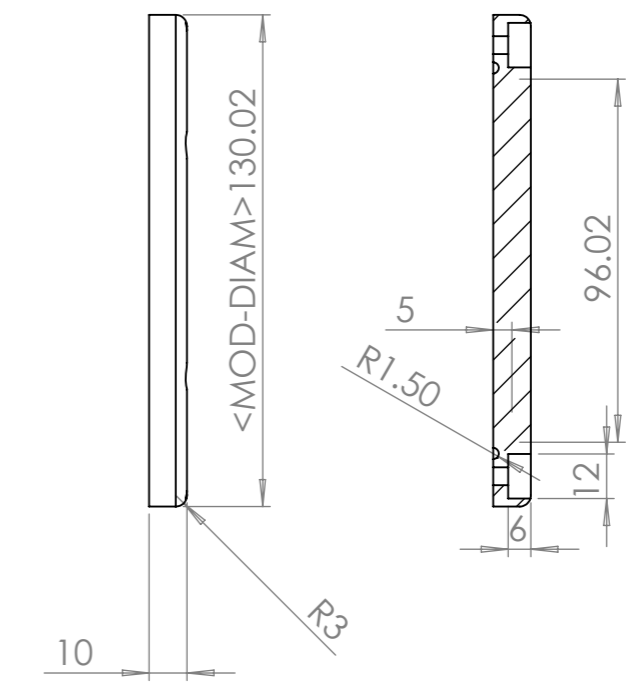
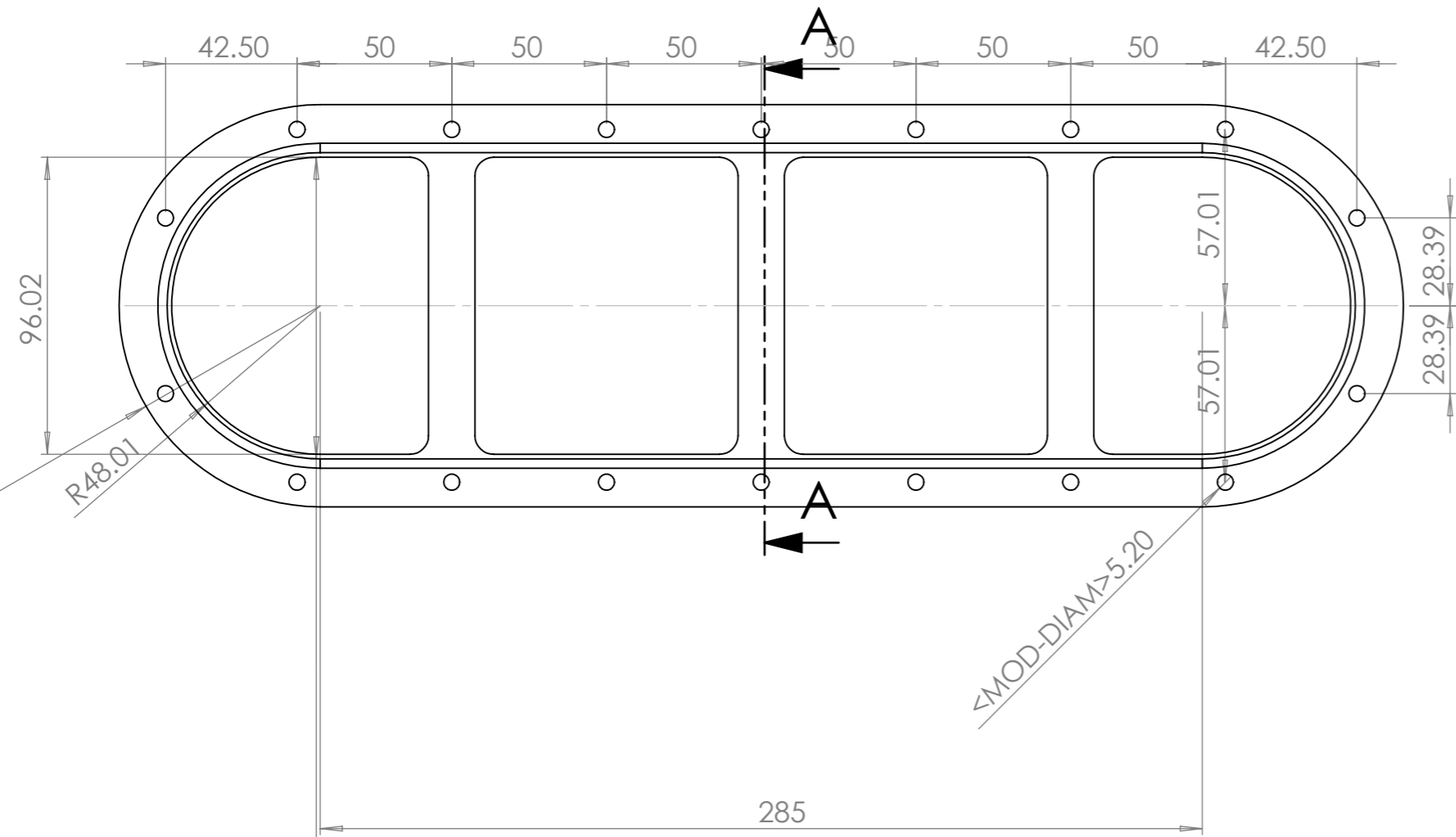
B B

C C

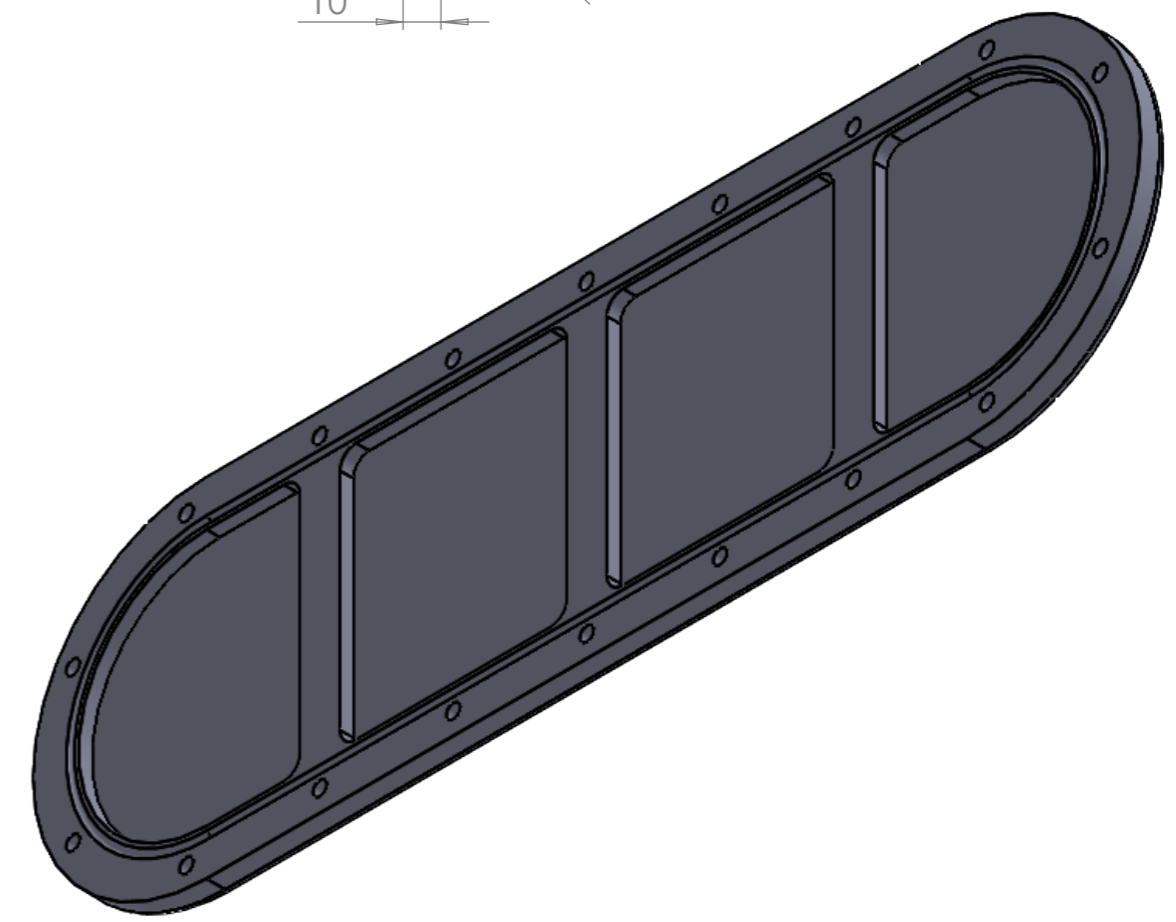
D D

E E

F F



SECTION A-A
SCALE 1:2



A3 SHEET 1 OF 1

ISSUE	DESCRIPTION	INITIALS	E.C.N. No	DATE	ALL DIMENSIONS IN MILLIMETERS			REMOVE ALL BURRS AND SHARP EDGES UNLESS OTHERWISE STATED	HOLES TO BS4500 1985. THREADS TO BS3643 1981 METRIC COURSE. BSP THREADS TO BS 2779 MED FIT	SURFACE FINISHES MILLING N8 TURNING N7 GRINDING N6	THIS A DRAWING IS A PRIVATE AND CONFIDENTIAL COMMUNICATION	DRAWN	APP	PART NUMBER	
1	ORIGINAL ISSUE	AVT		05/08/2015	TOLERANCES (AT 20C) UNLESS OTHERWISE STATED							REVERIE Reverie Limited Unit 2 Chandlers Row Colchester Essex CO1 2HG 01206 866663 www.reverie.ltd.uk	DATE		TITLE
					NOMINAL LINEAR DIMENSIONS			FINISH		R01SE6246 - 4 Cyl Plenum Alloy Back Plate					
					OVER-INCL	<0.00	0.00	SCALE		INSPECTION LEVEL	PART QUALITY GRADE				
					0-200	+/- 0.50	+/- 0.15	Do Not Scale Drawing		DRG. No.					
					250-1000	+/- 1.00	+/- 0.20	ANG DIMS							
					1000 PLUS	+/- 2.00	+/- 0.30	+/- 0.5°							