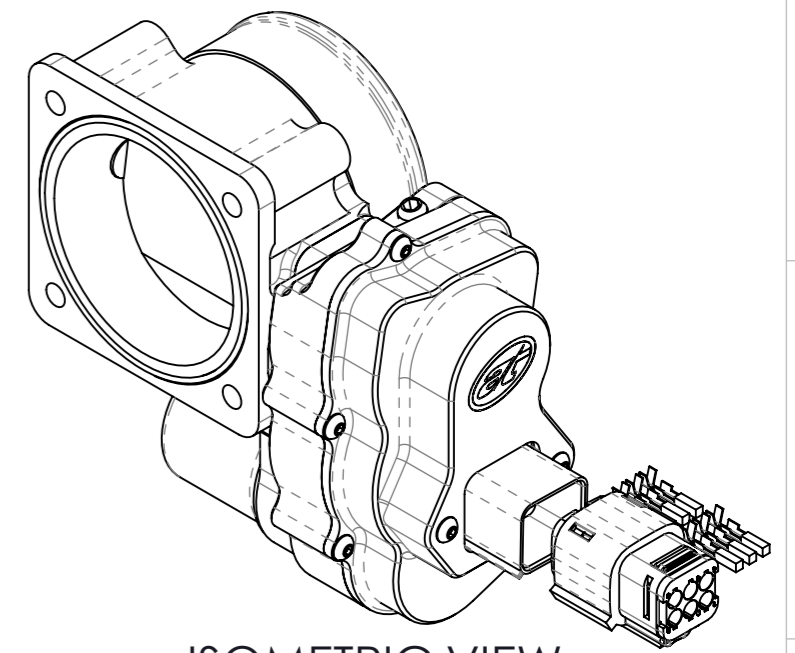
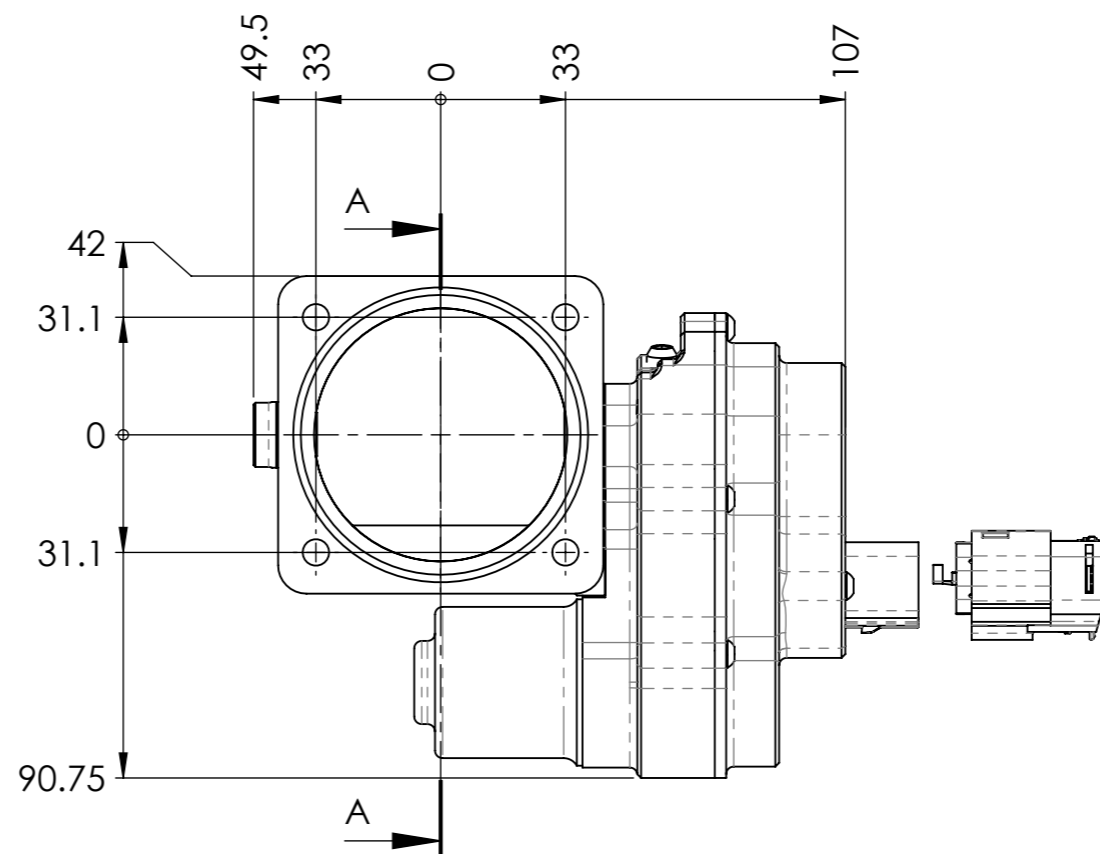
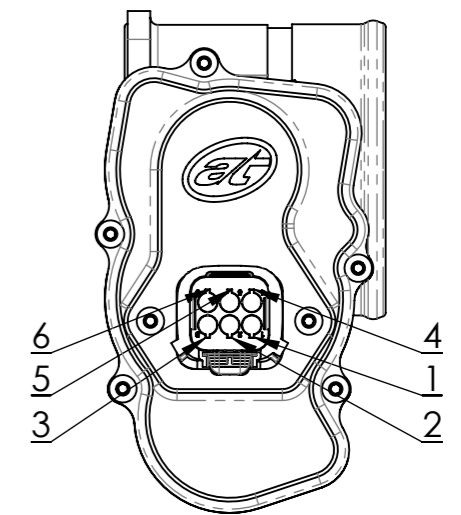


SECTION A-A



ISOMETRIC VIEW



CONNECTOR PIN OUT
PIN

1. +VE (MOTOR) (RED WIRE 50MM LONG)
2. SUPPLY (SENSOR) (RED WIRE)
3. -VE (MOTOR) (WHITE WIRE 50MM LONG)
4. GRD (BLACK WIRE)
5. CH-1 (WHITE WIRE)
6. CH-2 (YELLOW WIRE)

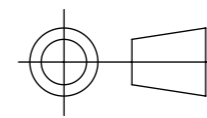


COPYRIGHT (c) 2013
AT POWER LTD
UNIT 9, CHESTNUT DRIVE, WYMONDHAM,
NORFOLK, UK, NR18 9SB

UNLESS OTHERWISE STATED:
DIMENSIONS IN MILLIMETRES
TOLERANCES: LINEAR ± 0.1 ANGULAR $\pm 0.5^\circ$
SURFACE FINISH $\sqrt{\text{ }}$
DRAWING STANDARDS TO ATQS 6003
DATE FORMAT: DD/MM/YY

THIS DESIGN IS THE PROPERTY OF
AT POWER THROTTLES LTD AND
MUST NOT BE REPRODUCED OR
COMMUNICATED WITHOUT
AUTHORITY

CAD PLOT
DO NOT
SCALE



THIRD ANGLE PROJECTION

SCALE 1:2 WEIGHT 0.9 kg

DRAWN- M.DAVIS

DATE - 20/05/15

CHECKED - S.HOW

APPROVED - A.CLIFTON

MATERIAL

SEE COMPONENT PARTS

FINISH

SEE COMPONENT PARTS

DRAWING TITLE

ASSY - DBW - SINGLE - 67 BORE
- SUBARU - IMPREZA - LH

DRAWING NUMBER

102-106-00007