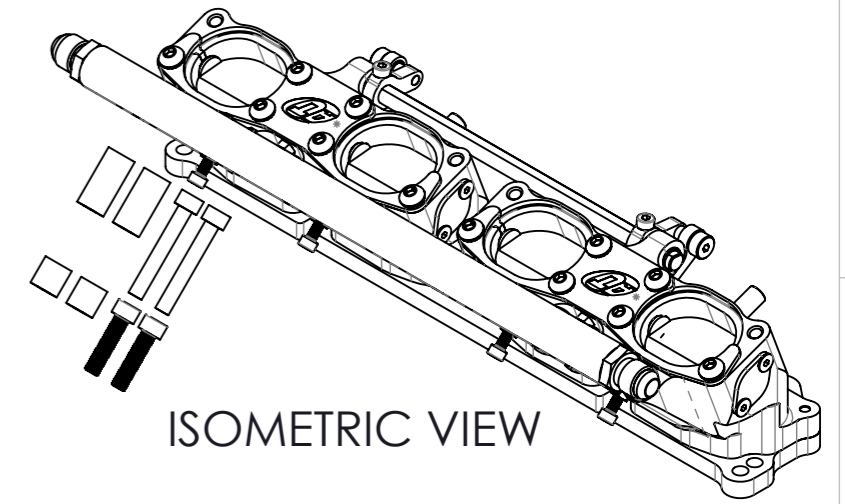
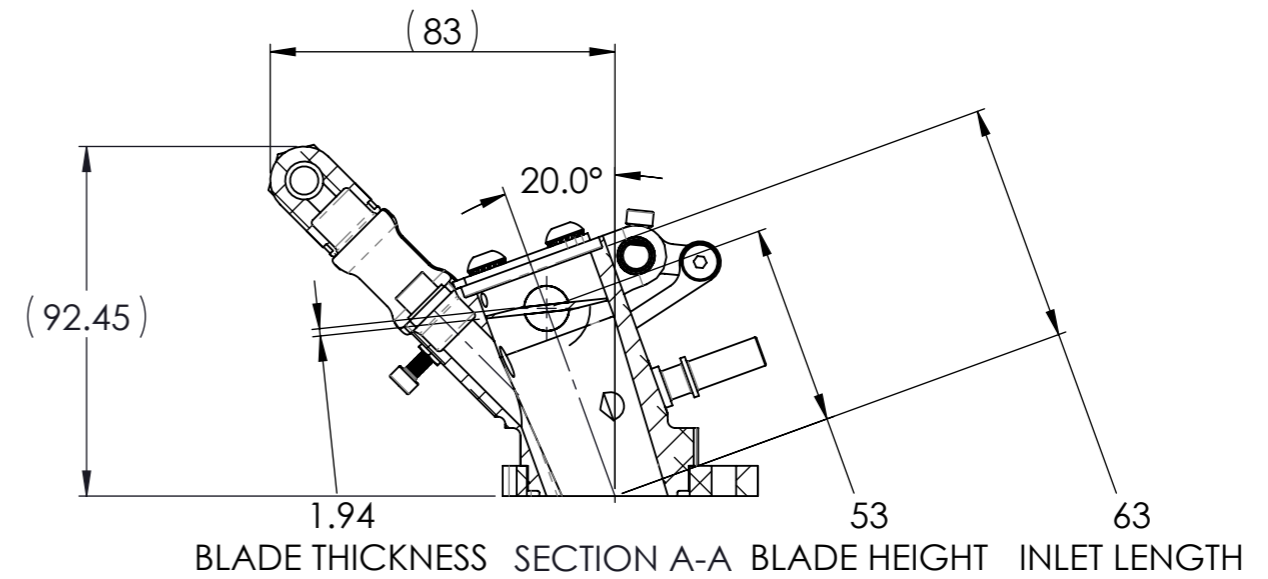
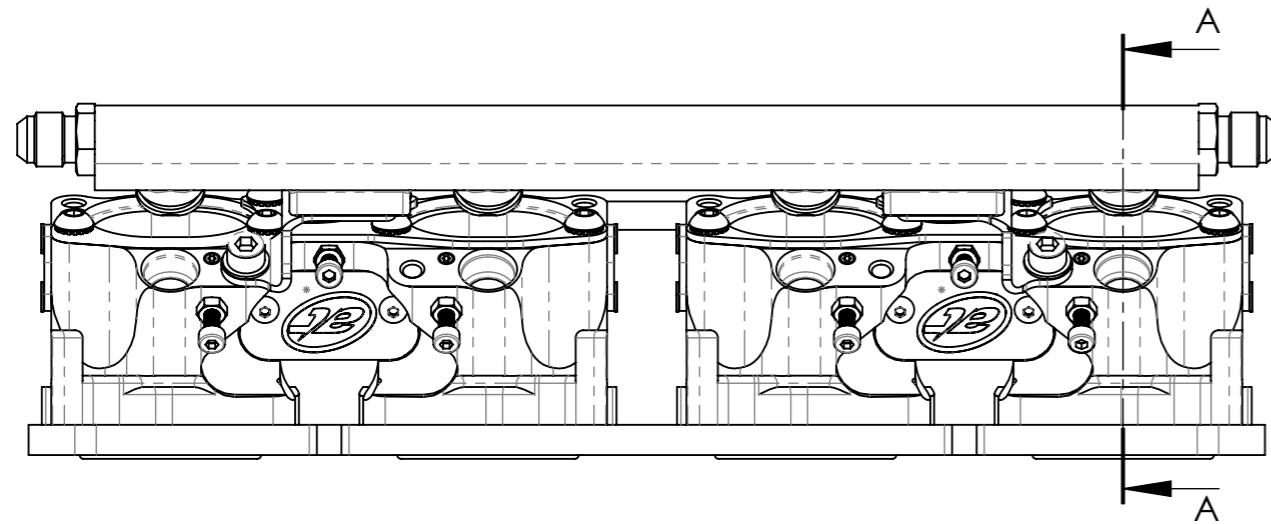


NOTE;

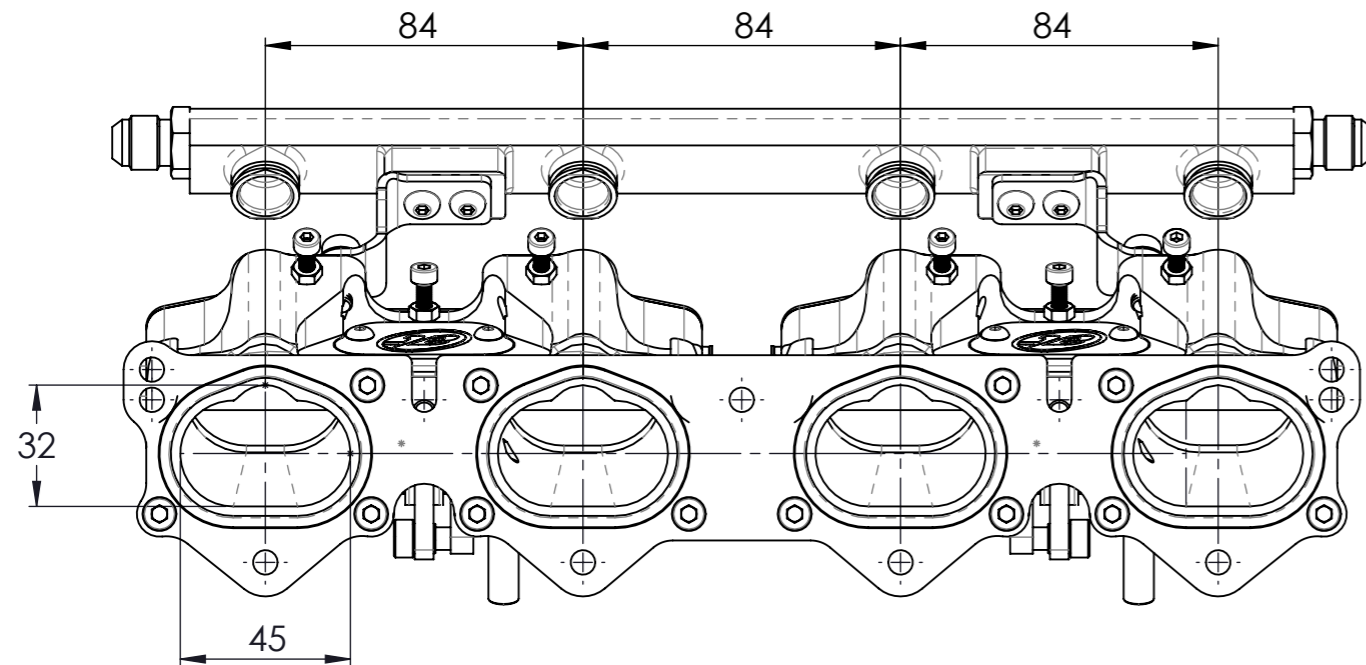
BLADE DIMENSIONS - 42 WIDE x 36 HIGH  
 =  $\phi$  38mm EQUIVALENT OVAL


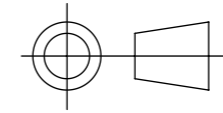


ISOMETRIC VIEW



BLADE THICKNESS SECTION A-A BLADE HEIGHT INLET LENGTH



 COPYRIGHT (c) 2013 AT POWER LTD UNIT 9, CHESTNUT DRIVE, WYMONDHAM, NORFOLK, UK, NR18 9SB	 THIRD ANGLE PROJECTION	MATERIAL	SEE COMPONENT PARTS	
		FINISH	SEE COMPONENT PARTS	
UNLESS OTHERWISE STATED: DIMENSIONS IN MILLIMETRES TOLERANCES: LINEAR $\pm 0.1$ ANGULAR $\pm 0.5^\circ$ SURFACE FINISH $\sqrt{\quad} = \sqrt{\quad}$ DRAWING STANDARDS TO ATQS 6003 DATE FORMAT: DD/MM/YY THIS DESIGN IS THE PROPERTY OF ACTIVE TECHNOLOGIES LTD AND MUST NOT BE REPRODUCED OR COMMUNICATED WITHOUT AUTHORITY	SCALE	WEIGHT	DRAWING TITLE	
	1:2	1.8 kg		ASSY - HOUSING - TWIN - PEUGEOT/CITROEN - 106/SAXO
	DRAWN-	M.DAVIS		
CAD PLOT DO NOT SCALE	DATE -	12/08/14	102-104-00022	
CHECKED -	S.HOW			SHEET 2 OF 2 A3
APPROVED -	A.CLIFTON			