
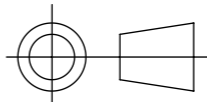


ISOMETRIC VIEW

 COPYRIGHT (c) 2013 AT POWER LTD UNIT 9, CHESTNUT DRIVE, WYMONDHAM, NORFOLK, UK, NR18 9SB	 THIRD ANGLE PROJECTION		MATERIAL
	SCALE 1:1	WEIGHT 0.2 kg	SEE COMPONENT PARTS
UNLESS OTHERWISE STATED: DIMENSIONS IN MILLIMETRES TOLERANCES: LINEAR ± 0.1 ANGULAR ± 0.5° SURFACE FINISH √ = √ DRAWING STANDARDS TO ATQS 6003 DATE FORMAT: DD/MM/YY	DRAWN- M.DAVIS	FINISH	
	DATE - 29/07/14	SEE COMPONENT PARTS	
THIS DESIGN IS THE PROPERTY OF ACTIVE TECHNOLOGIES LTD AND MUST NOT BE REPRODUCED OR COMMUNICATED WITHOUT AUTHORITY	CHECKED - S.HOW	DRAWING TITLE	
	APPROVED - A.CLIFTON	<b>ASSY - SINGLE BORE - 36MM</b>	
CAD PLOT DO NOT SCALE	DRAWING NUMBER		
	<b>102-120-00001</b>		
	SHEET 2 OF 2 A3		