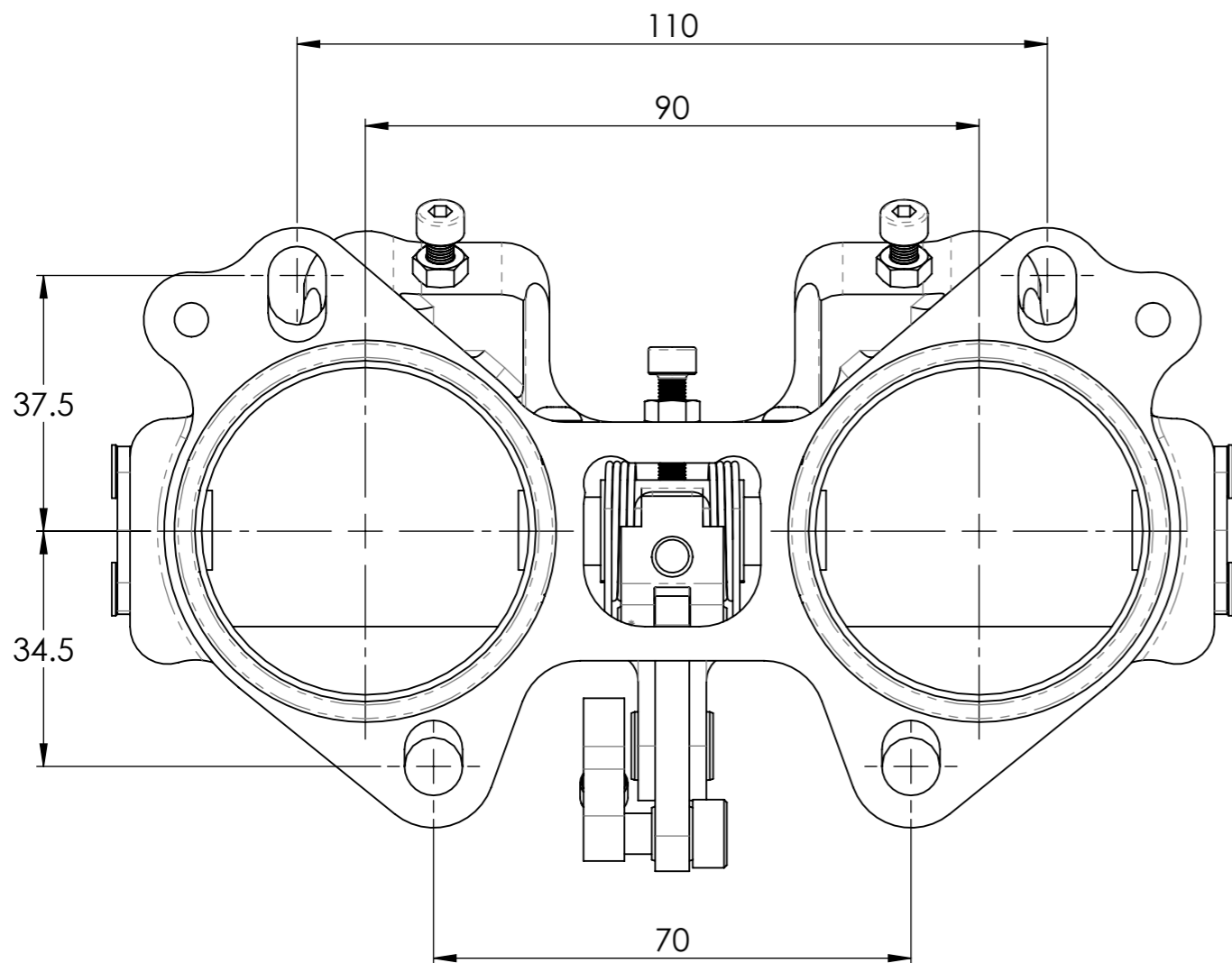
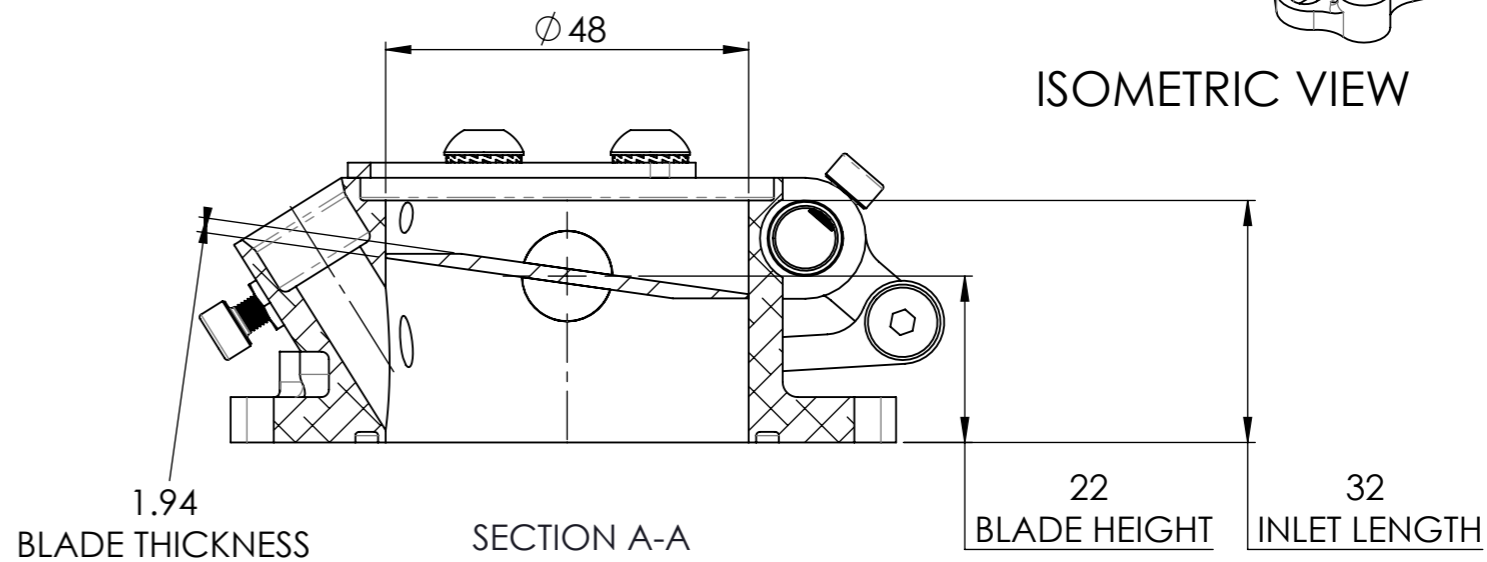
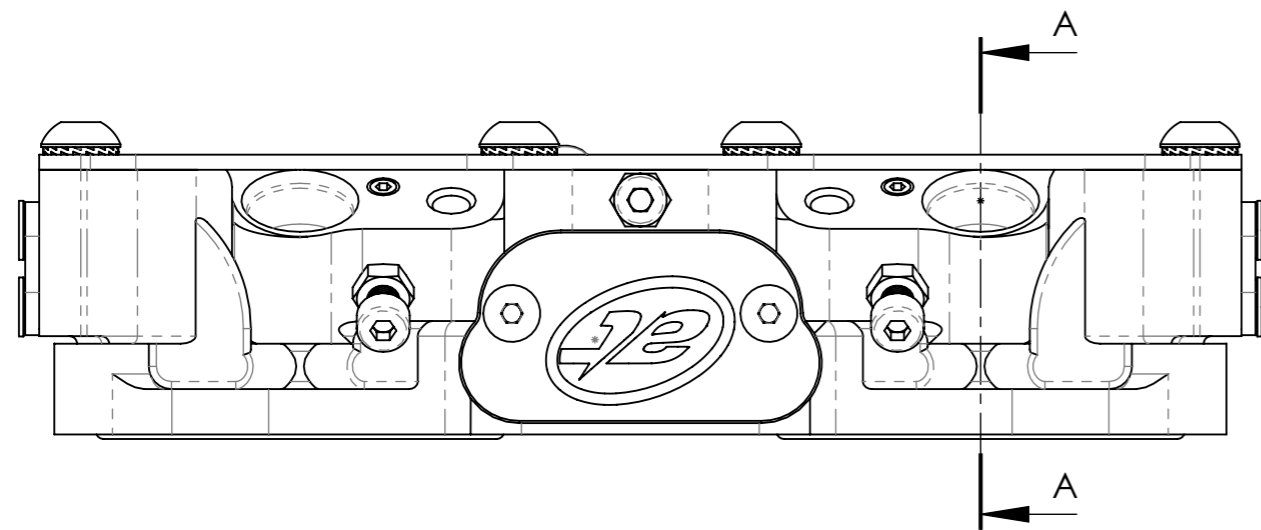

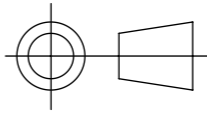


8 7 6 5 4 3 2 1

F
E
D
C
B
A



 COPYRIGHT (c) 2013 AT POWER LTD UNIT 9, CHESTNUT DRIVE, WYMONDHAM, NORFOLK, UK, NR18 9SB	 THIRD ANGLE PROJECTION		MATERIAL	SEE COMPONENT PARTS
	SCALE 1:1	WEIGHT 0.4 kg	FINISH	SEE COMPONENT PARTS
UNLESS OTHERWISE STATED: DIMENSIONS IN MILLIMETRES TOLERANCES: LINEAR ± 0.1 ANGULAR ± 0.5° SURFACE FINISH √ = √ DRAWING STANDARDS TO ATQS 6003 DATE FORMAT: DD/MM/YY	DRAWN- M.DAVIS	DRAWING TITLE		
THIS DESIGN IS THE PROPERTY OF AT POWER THROTTLES LTD AND MUST NOT BE REPRODUCED OR COMMUNICATED WITHOUT AUTHORITY	DATE - 26/03/15	ASSY - HOUSING - TWIN - DCOE - 48MM		
CAD PLOT DO NOT SCALE	CHECKED - S.HOW	DRAWING NUMBER		
	APPROVED - A.CLIFTON	102-104-00009		
		SHEET 2 OF 2 A3		

8 7 6 5 4 3 2 1