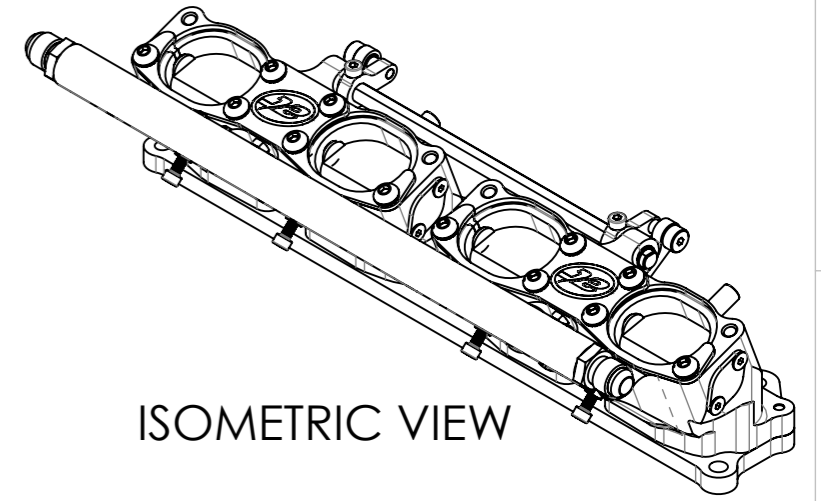
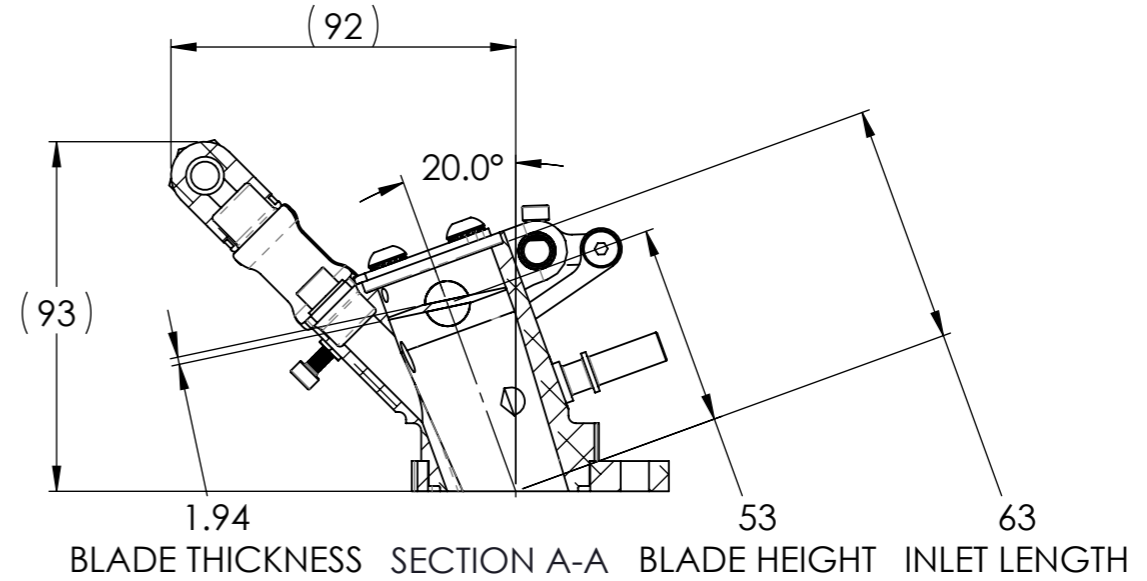
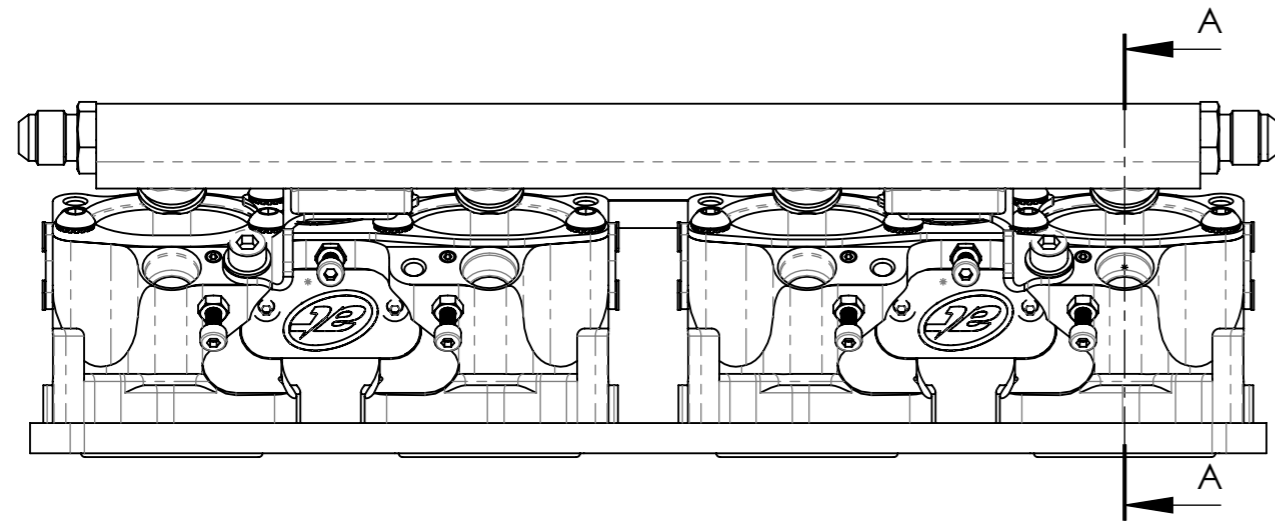


NOTE;

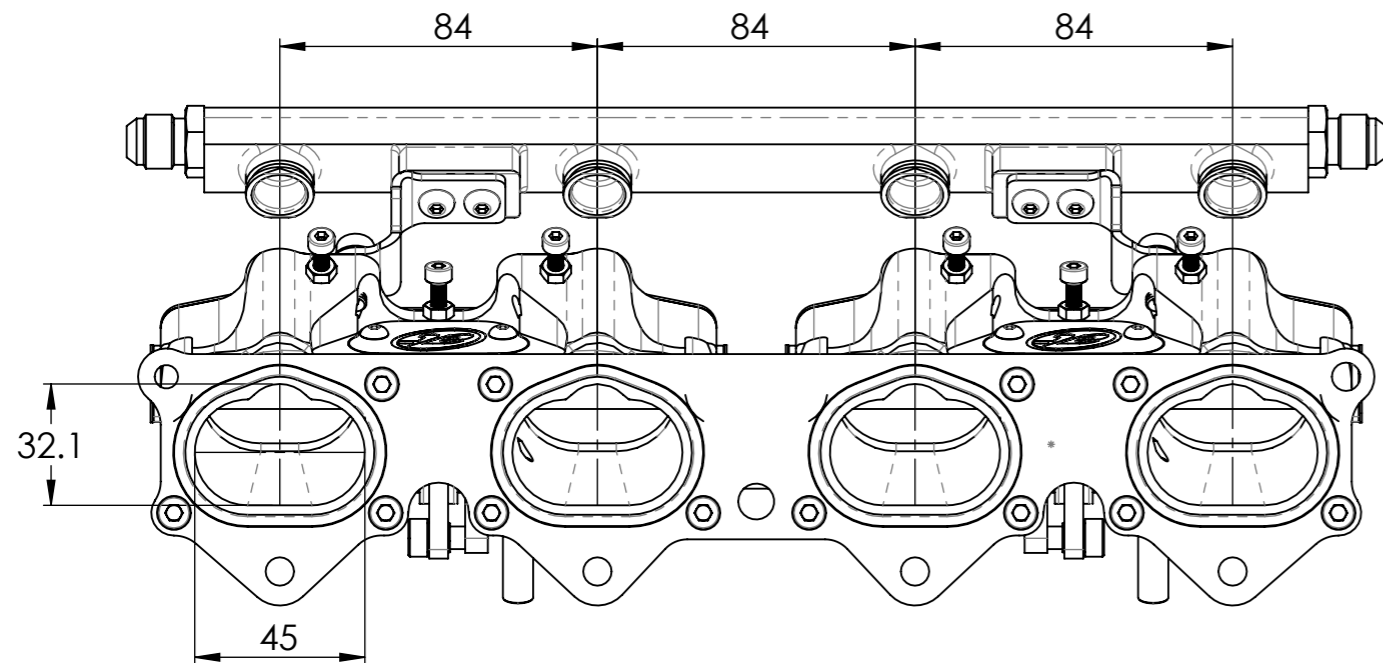
BLADE DIMENSIONS - 42 WIDE x 36 HIGH
 = ϕ 38mm EQUIVALENT OVAL


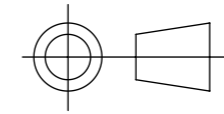


ISOMETRIC VIEW



1.94 BLADE THICKNESS SECTION A-A 53 BLADE HEIGHT 63 INLET LENGTH



 COPYRIGHT (c) 2013 AT POWER LTD UNIT 9, CHESTNUT DRIVE, WYMONDHAM, NORFOLK, UK, NR18 9SB	 THIRD ANGLE PROJECTION	MATERIAL	SEE COMPONENT PARTS
		FINISH	SEE COMPONENT PARTS
UNLESS OTHERWISE STATED: DIMENSIONS IN MILLIMETRES TOLERANCES: LINEAR ± 0.1 ANGULAR $\pm 0.5^\circ$ SURFACE FINISH $\sqrt{\text{ }}$ = $\sqrt{\text{ }}$ DRAWING STANDARDS TO ATQS 6003 DATE FORMAT: DD/MM/YY THIS DESIGN IS THE PROPERTY OF AT POWER THROTTLES LTD AND MUST NOT BE REPRODUCED OR COMMUNICATED WITHOUT AUTHORITY	SCALE	WEIGHT	DRAWING TITLE ASSY - HOUSING - TWIN - PEUGEOT/CITROEN - 206/C2
	1:2	1.8 kg	
	DRAWN-	M.DAVIS	
	DATE -	12/08/14	DRAWING NUMBER 102-104-00023
	CHECKED -	S.HOW	
	APPROVED -	A.CLIFTON	SHEET 2 OF 2 A3