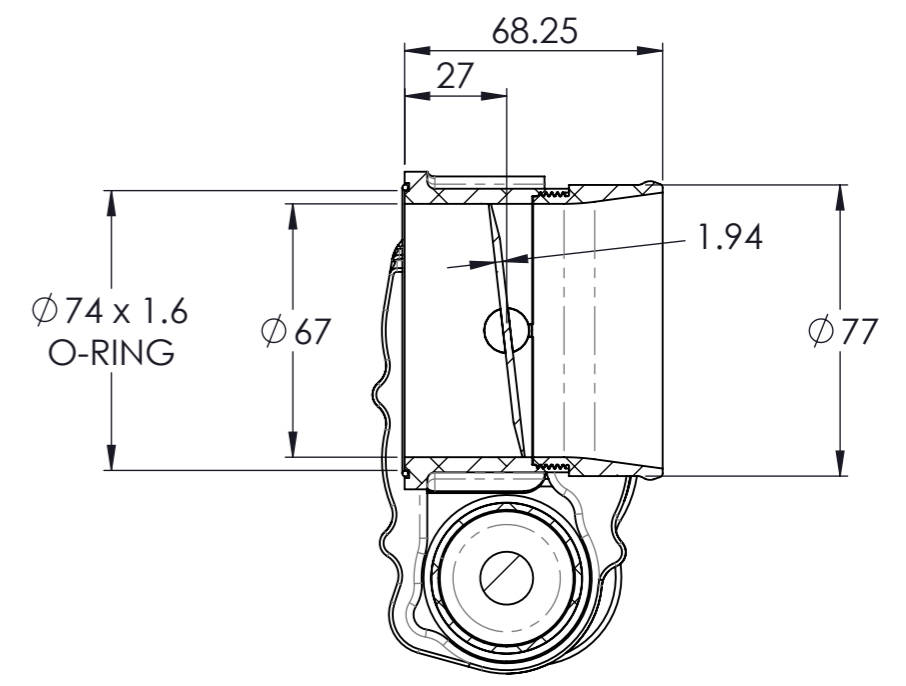
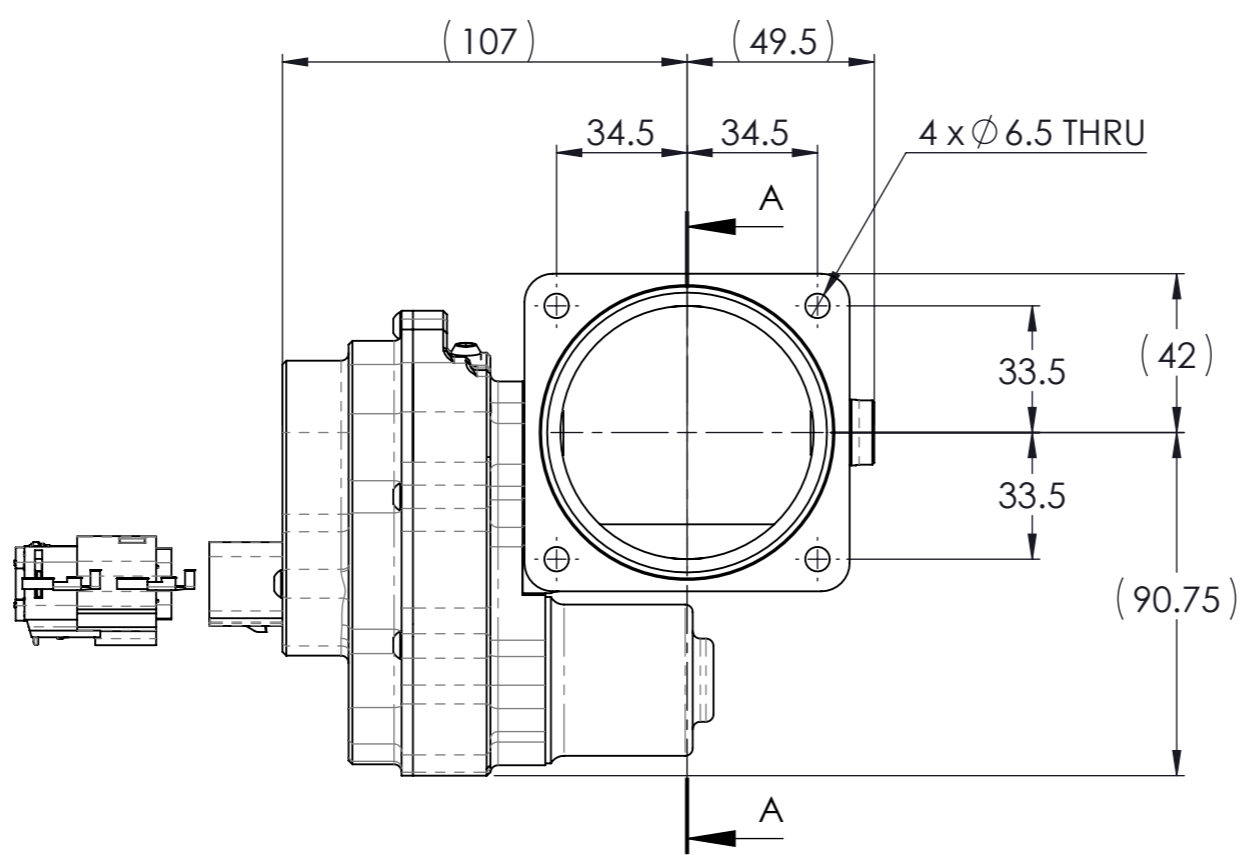
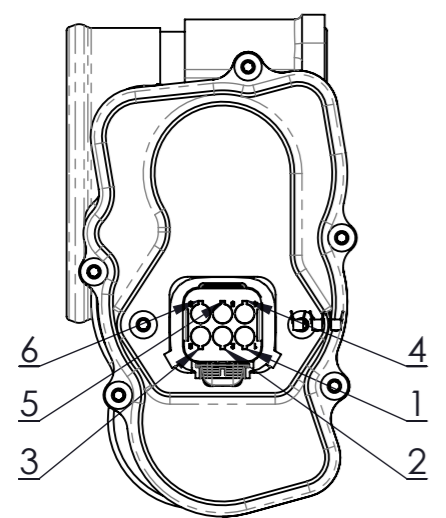


ISOMETRIC VIEW



SECTION A-A



CONNECTOR PIN OUT

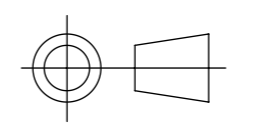
- PIN
1. +VE (MOTOR)
 2. SUPPLY (SENSOR)
 3. -VE (MOTOR)
 4. GRD
 5. CH-1
 6. CH-2



COPYRIGHT (c) 2013
AT POWER LTD
UNIT 9, CHESTNUT DRIVE, WYMONDHAM,
NORFOLK, UK, NR18 9SB

UNLESS OTHERWISE STATED:
DIMENSIONS IN MILLIMETRES
TOLERANCES: LINEAR \pm 0.1 ANGULAR \pm 0.5°
SURFACE FINISH $\sqrt{\text{ }}$ = $\sqrt{\text{ }}$
DRAWING STANDARDS TO ATQS 6003
DATE FORMAT: DD/MM/YY

THIS DESIGN IS THE PROPERTY OF
AT POWER THROTTLES LTD AND
MUST NOT BE REPRODUCED OR
COMMUNICATED WITHOUT
AUTHORITY



THIRD ANGLE PROJECTION

SCALE 1:2 WEIGHT 1.1 kg

DRAWN- M.DAVIS

DATE - 26/02/14

CHECKED - S.HOW

APPROVED - A.CLIFTON

MATERIAL
SEE COMPONENT PARTS

FINISH
SEE COMPONENT PARTS

DRAWING TITLE
**ASSY - DBW - SINGLE
- 67 BORE - RH - GT86**

DRAWING NUMBER
102-106-00020