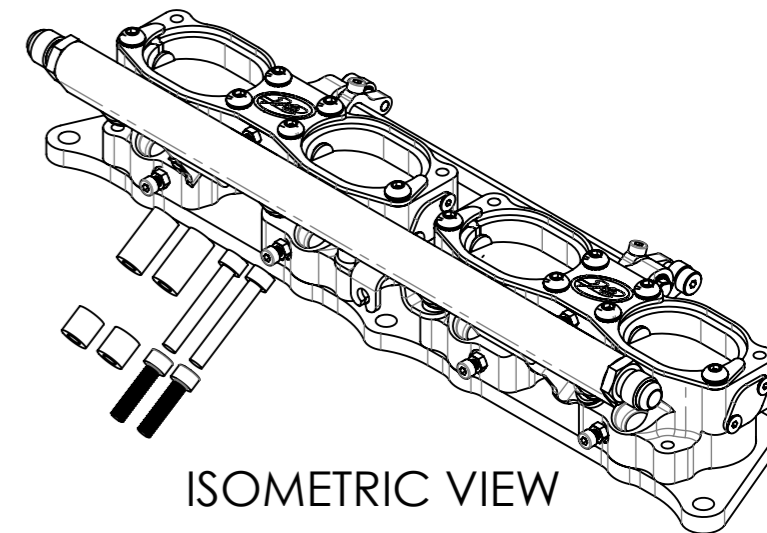
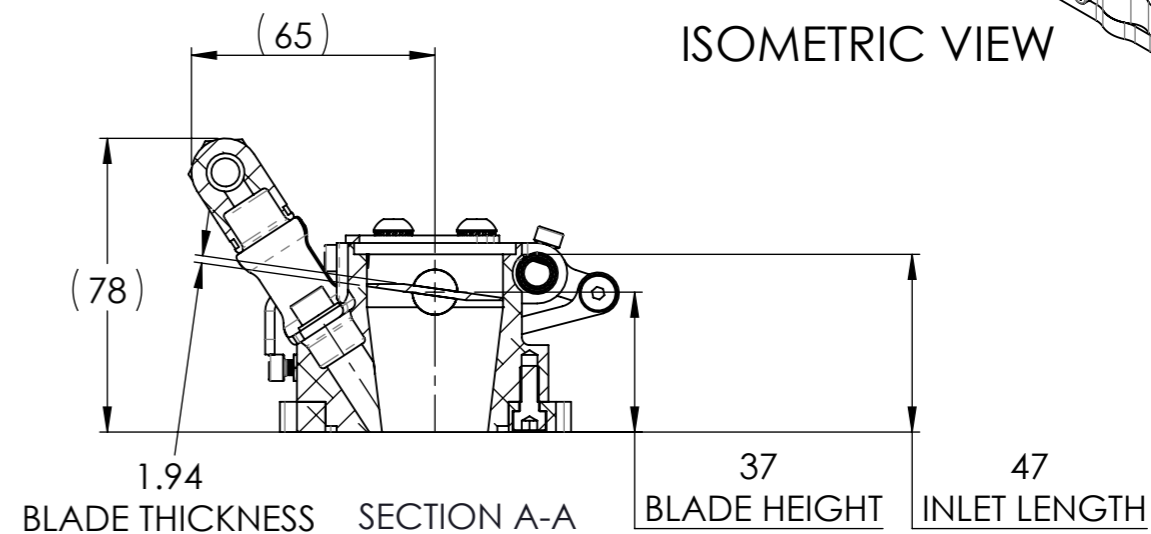
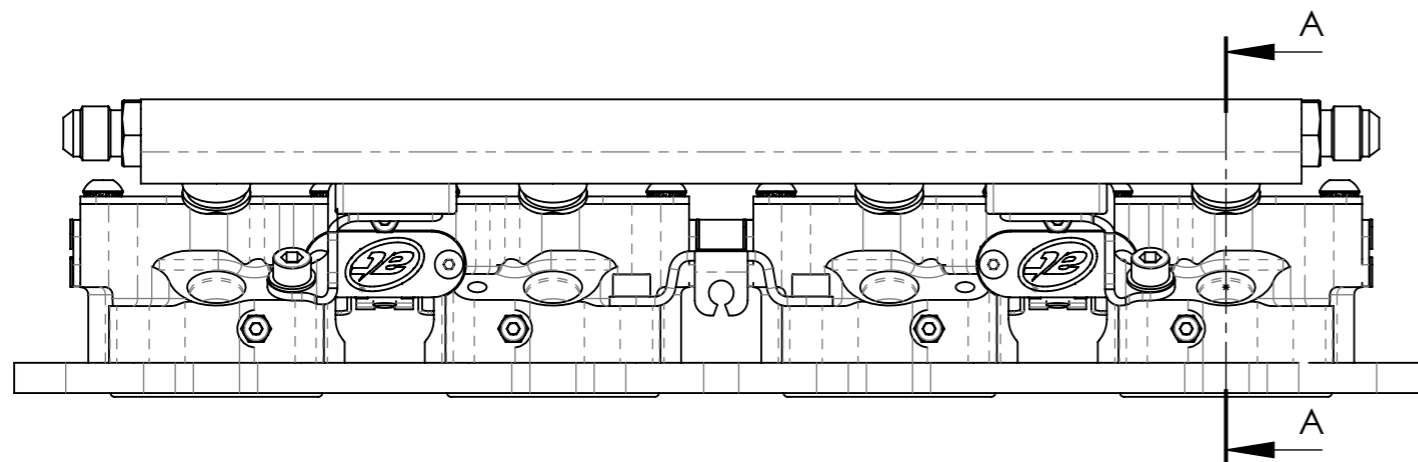


NOTE;

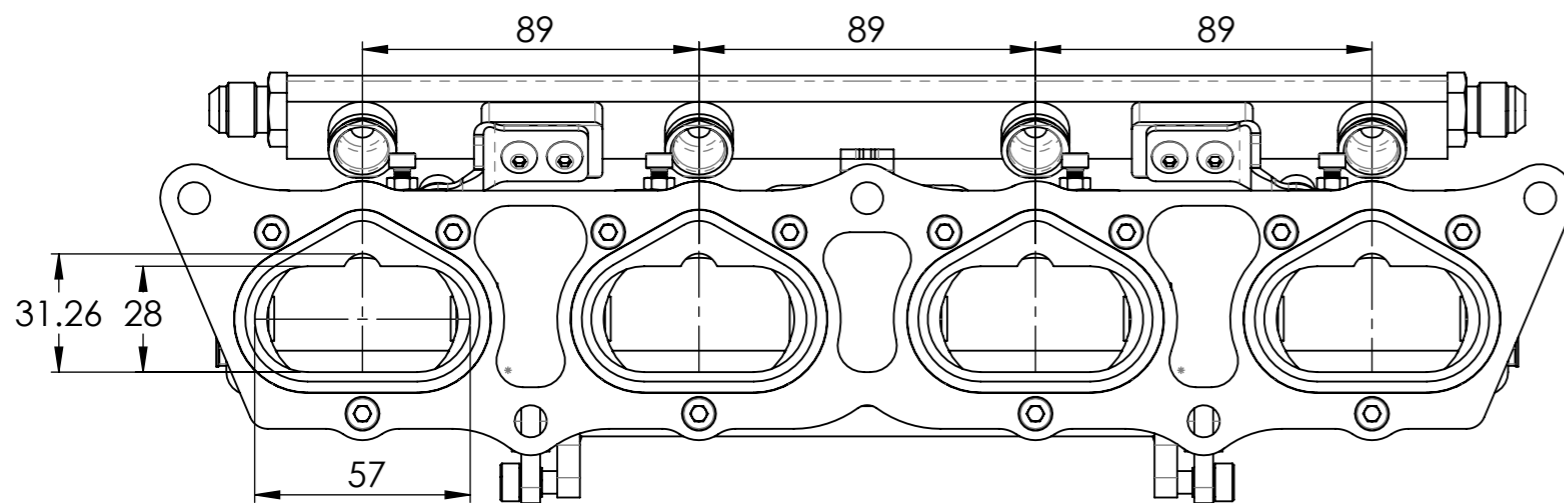
BLADE DIMENSIONS - 50 WIDE x 36 HIGH
= ϕ 45mm EQUIVALENT OVAL


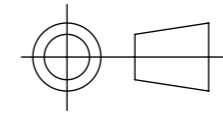


ISOMETRIC VIEW



BLADE THICKNESS SECTION A-A BLADE HEIGHT INLET LENGTH



 COPYRIGHT (c) 2013 AT POWER LTD UNIT 9, CHESTNUT DRIVE, WYMONDHAM, NORFOLK, UK, NR18 9SB	 THIRD ANGLE PROJECTION	MATERIAL	SEE COMPONENT PARTS	
		FINISH	SEE COMPONENT PARTS	
UNLESS OTHERWISE STATED: DIMENSIONS IN MILLIMETRES TOLERANCES: LINEAR ± 0.1 ANGULAR $\pm 0.5^\circ$ SURFACE FINISH $\sqrt{\text{ }}$ = $\sqrt{\text{ }}$ DRAWING STANDARDS TO ATQS 6003 DATE FORMAT: DD/MM/YY THIS DESIGN IS THE PROPERTY OF AT POWER THROTTLES LTD AND MUST NOT BE REPRODUCED OR COMMUNICATED WITHOUT AUTHORITY	SCALE	WEIGHT	DRAWING TITLE	
	1:2	1.8 kg		ASSY - HOUSING - TWIN - RENAULT - F4R - 830 - 0 DEG
	DRAWN-	M.DAVIS		
	DATE -	22/12/14	102-104-00037	
	CHECKED -	S.HOW		SHEET 2 OF 2 A3
	APPROVED -	A.CLIFTON		