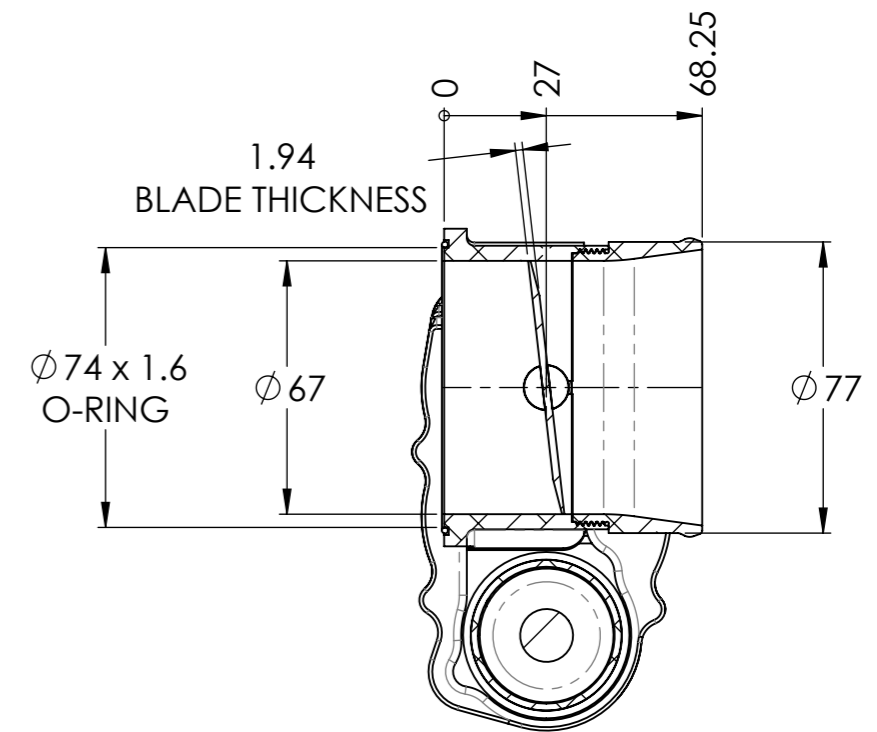
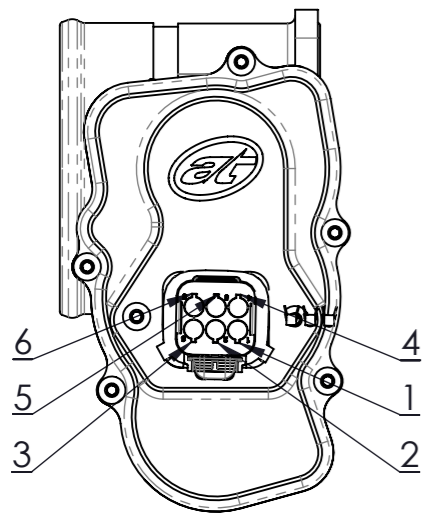
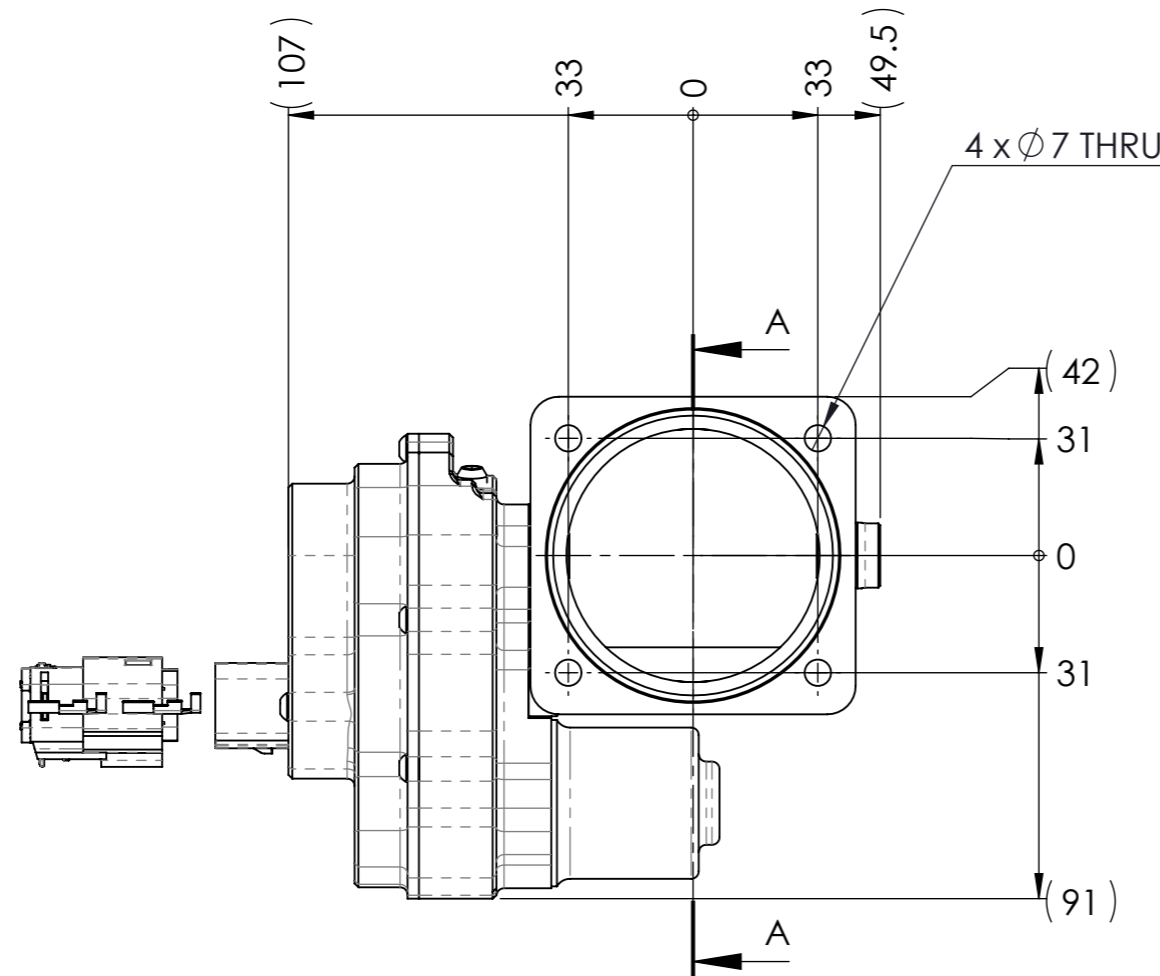


ISOMETRIC VIEW



SECTION A-A



CONNECTOR PIN OUT

- PIN
- 1. +VE (MOTOR)
 - 2. SUPPLY (SENSOR)
 - 3. -VE (MOTOR)
 - 4. GRD
 - 5. CH-1
 - 6. CH-2

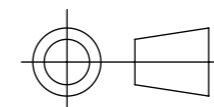


COPYRIGHT (c) 2013
 AT POWER LTD
 UNIT 9, CHESTNUT DRIVE, WYMONDHAM,
 NORFOLK, UK, NR18 9SB

UNLESS OTHERWISE STATED:
 DIMENSIONS IN MILLIMETRES
 TOLERANCES: LINEAR ± 0.1 ANGULAR ± 0.5°
 SURFACE FINISH √ = √
 DRAWING STANDARDS TO ATQS 6003
 DATE FORMAT: DD/MM/YY

THIS DESIGN IS THE PROPERTY OF
 AT POWER THROTTLES LTD AND
 MUST NOT BE REPRODUCED OR
 COMMUNICATED WITHOUT
 AUTHORITY

CAD PLOT
 DO NOT
 SCALE



THIRD ANGLE PROJECTION

SCALE 1:2 WEIGHT 1.1 kg

DRAWN- M.DAVIS

DATE - 17/12/14

CHECKED - S.HOW

APPROVED - A.CLIFTON

MATERIAL

SEE COMPONENT PARTS

FINISH

SEE COMPONENT PARTS

DRAWING TITLE

ASSY - DBW - SINGLE - 67 BORE
 - SUBARU - IMPREZA - RH

DRAWING NUMBER

102-106-00006