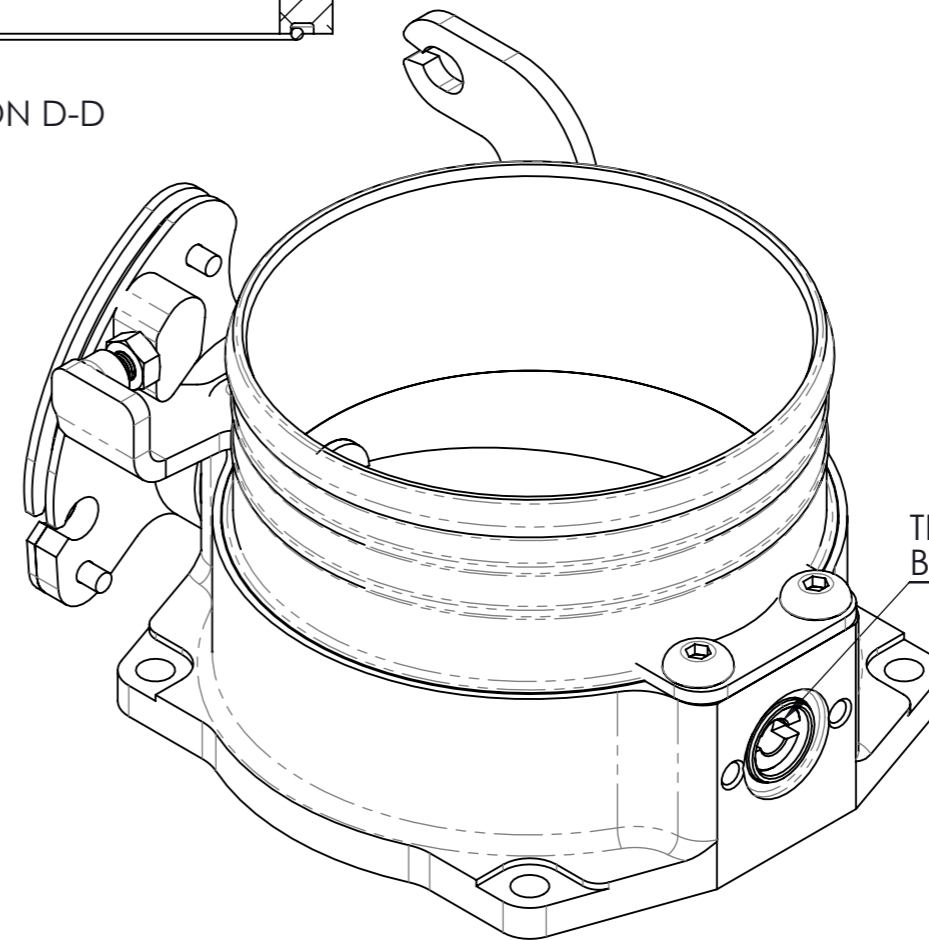
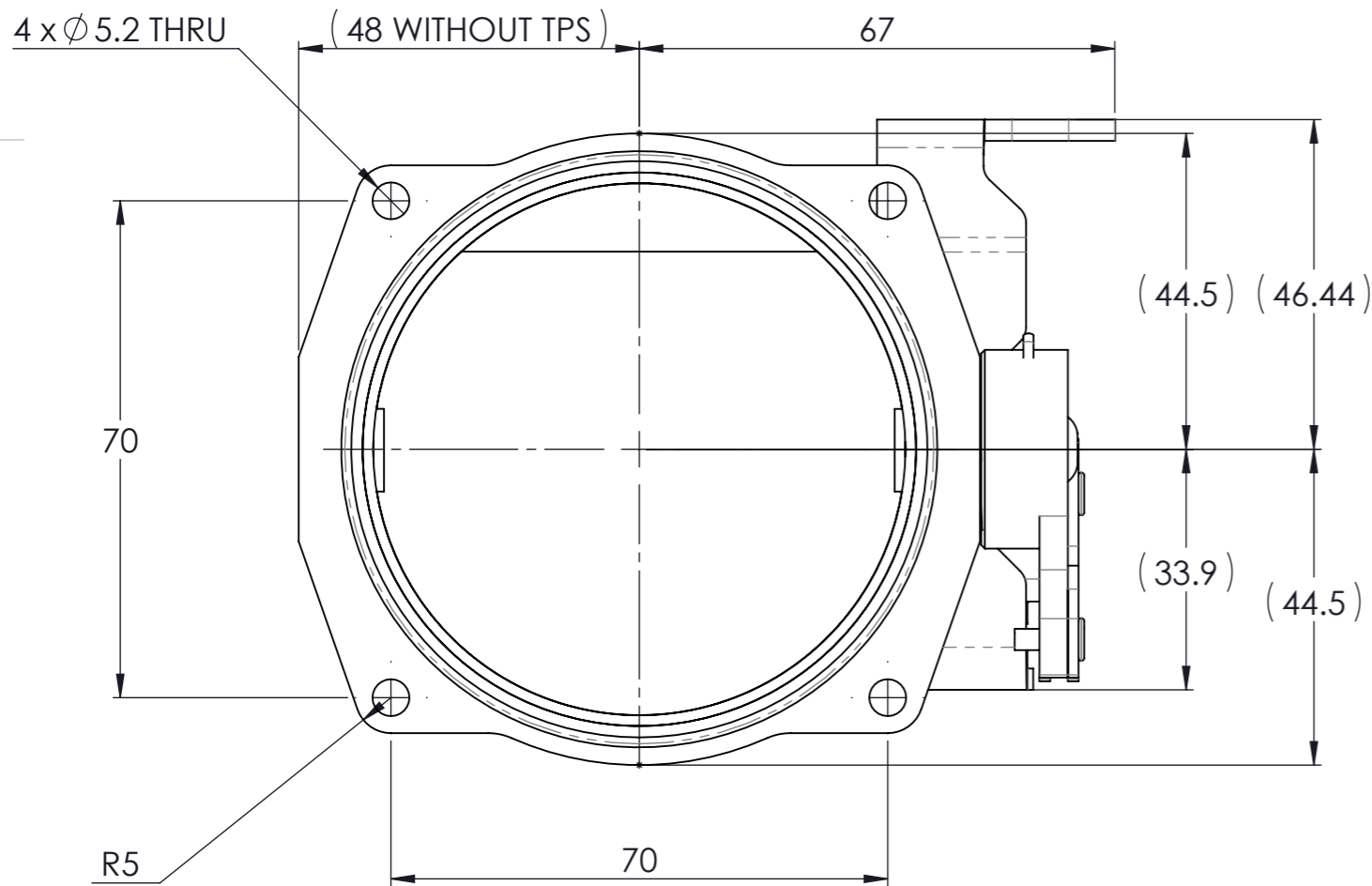


SECTION D-D



ISOMETRIC VIEW

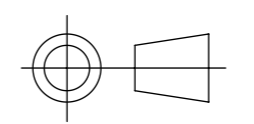
TPS SHAFT AND ADAPTOR TO BE SPECIFIED BY CUSTOMER



COPYRIGHT (c) 2013  
AT POWER LTD  
UNIT 9, CHESTNUT DRIVE, WYMONDHAM,  
NORFOLK, UK, NR18 9SB

UNLESS OTHERWISE STATED:  
DIMENSIONS IN MILLIMETRES  
TOLERANCES: LINEAR  $\pm 0.1$  ANGULAR  $\pm 0.5^\circ$   
SURFACE FINISH  $\sqrt{\text{ }}$  =  $\sqrt{\text{ }}$   
DRAWING STANDARDS TO ATQS 6003  
DATE FORMAT: DD/MM/YY

THIS DESIGN IS THE PROPERTY OF  
ACTIVE TECHNOLOGIES LTD AND  
MUST NOT BE REPRODUCED OR  
COMMUNICATED WITHOUT  
AUTHORITY



THIRD ANGLE PROJECTION

SCALE 1:1 WEIGHT 0.4 kg

DRAWN- M.DAVIS

DATE - 29/07/14

CHECKED - S.HOW

APPROVED - A.CLIFTON

MATERIAL  
SEE COMPONENT PARTS

FINISH  
SEE COMPONENT PARTS

DRAWING TITLE  
**ASSY - SINGLE BORE -  
75MM**

DRAWING NUMBER  
**102-120-00013**