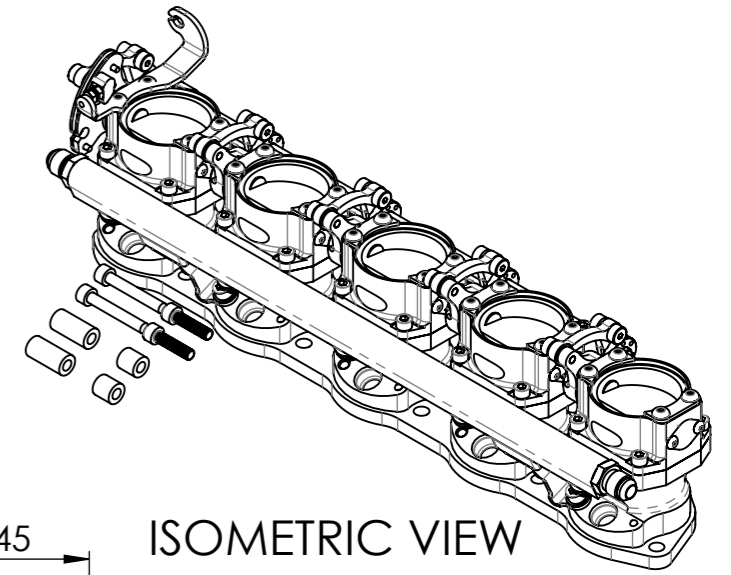
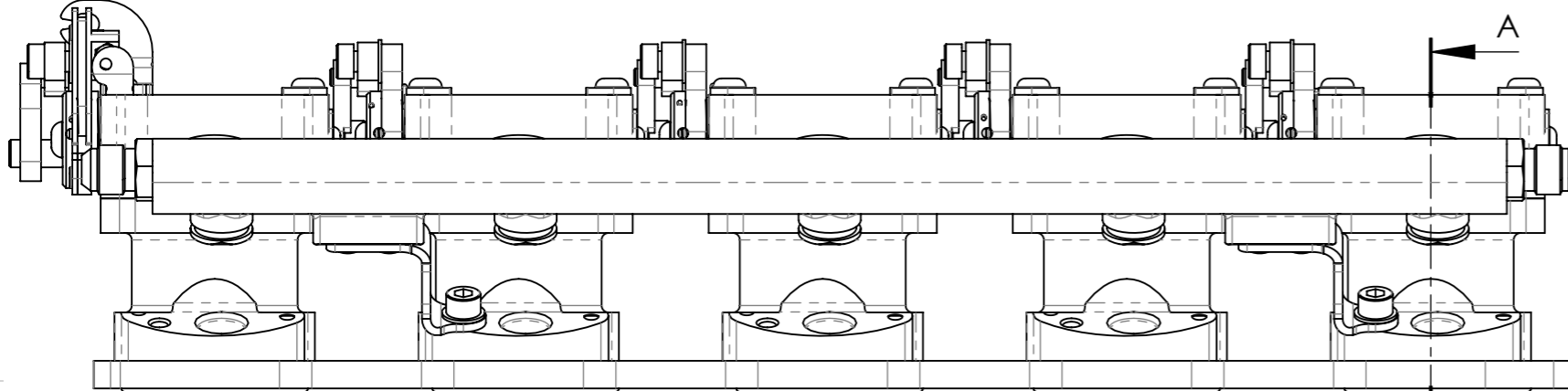


8 7 6 5 4 3 2 1

F E D C B A

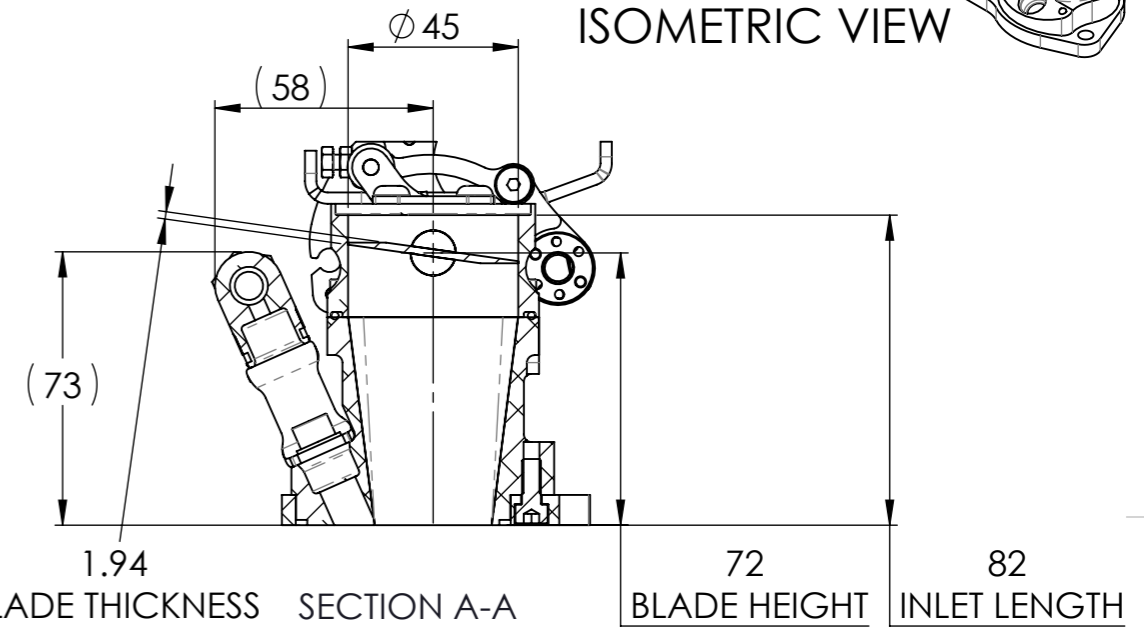


ISOMETRIC VIEW

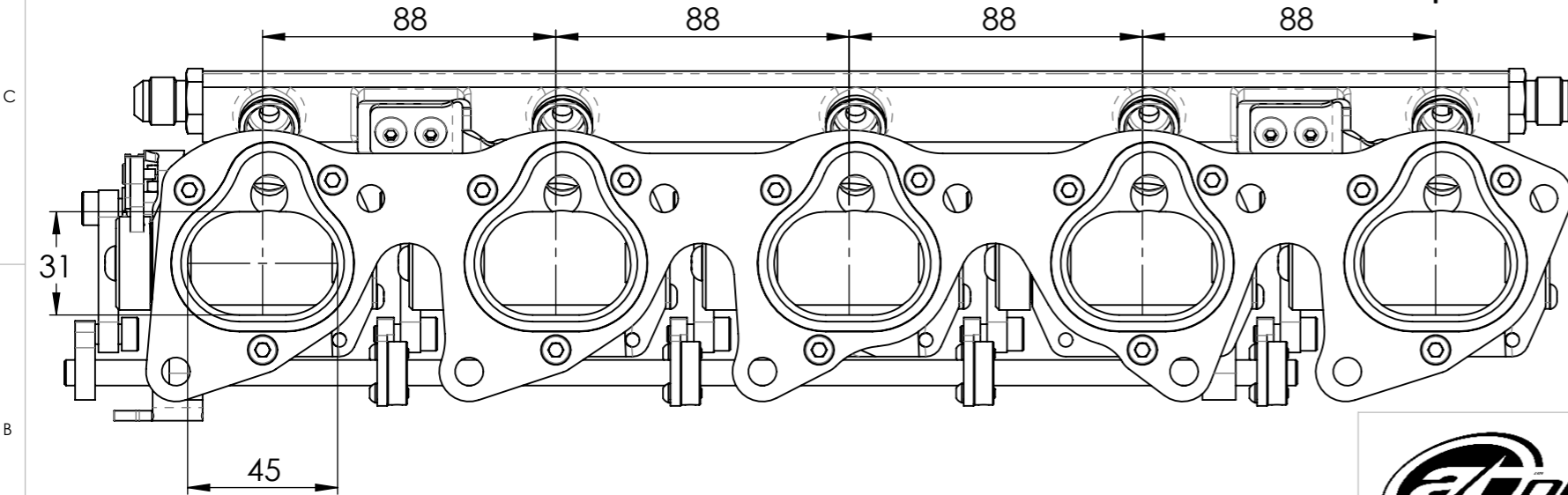


A

A



1.94 SECTION A-A 72 82  
 BLADE THICKNESS BLADE HEIGHT INLET LENGTH



B

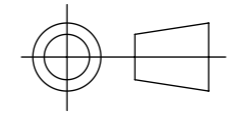


**COPYRIGHT (c) 2013  
 AT POWER LTD  
 UNIT 9, CHESTNUT DRIVE, WYMONDHAM,  
 NORFOLK, UK, NR18 9SB**

UNLESS OTHERWISE STATED:  
 DIMENSIONS IN MILLIMETRES  
 TOLERANCES: LINEAR ± 0.1 ANGULAR ± 0.5°  
 SURFACE FINISH √ = √  
 DRAWING STANDARDS TO ATQS 6003  
 DATE FORMAT: DD/MM/YY

THIS DESIGN IS THE PROPERTY OF  
 AT POWER THROTTLES LTD AND  
 MUST NOT BE REPRODUCED OR  
 COMMUNICATED WITHOUT  
 AUTHORITY

CAD PLOT  
 DO NOT  
 SCALE



THIRD ANGLE PROJECTION

SCALE 1:2 WEIGHT 2.7 kg

DRAWN- M.DAVIS

DATE - 19/05/15

CHECKED - S.HOW

APPROVED - A.CLIFTON

MATERIAL  
 SEE COMPONENT PARTS

FINISH  
 SEE COMPONENT PARTS

DRAWING TITLE  
**ASSY - HOUSING -  
 UNIVERSAL - AUDI - 5 CYL**

DRAWING NUMBER  
**102-109-00008**

8 7 6 5 4 3 2 1