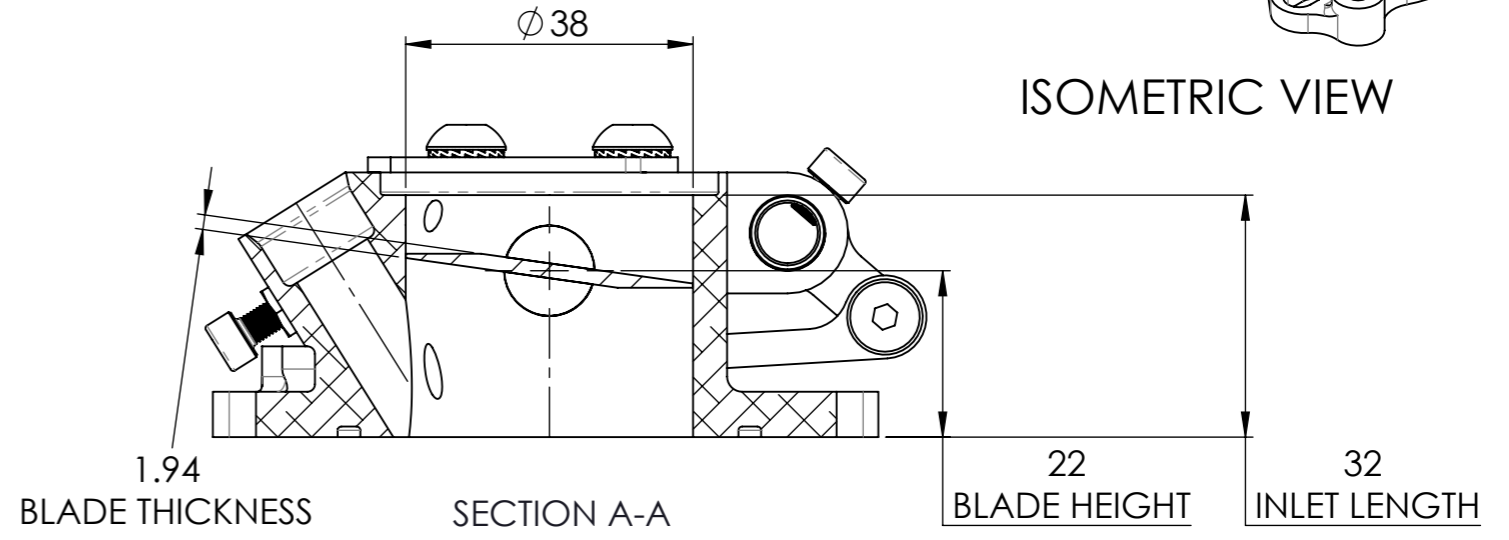
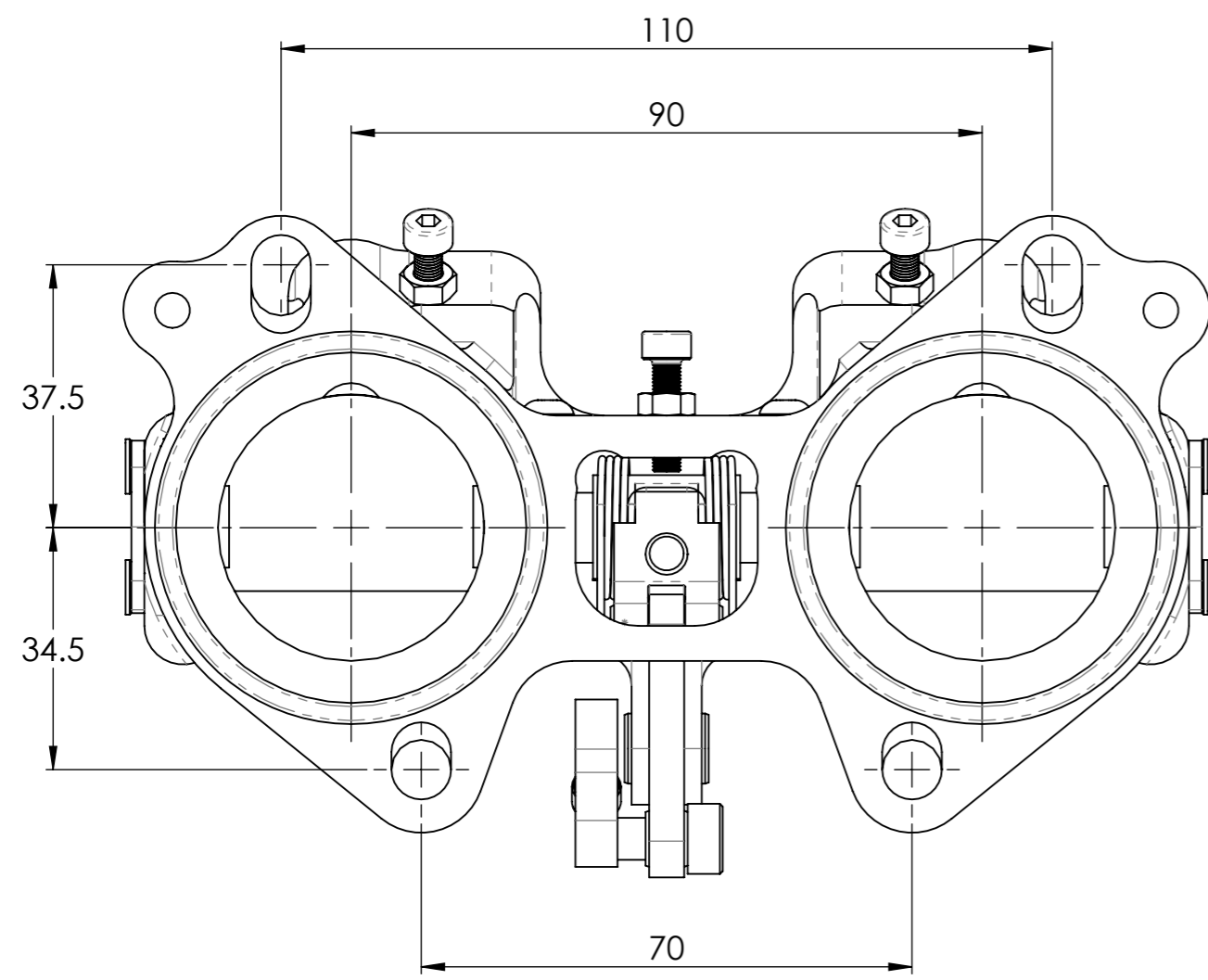

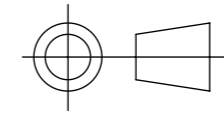


ISOMETRIC VIEW



1.94 BLADE THICKNESS $\varnothing 38$ SECTION A-A 22 BLADE HEIGHT 32 INLET LENGTH



| | | | |
|--|---|-----------|---------------------|
|  COPYRIGHT (c) 2013 AT POWER LTD UNIT 9, CHESTNUT DRIVE, WYMONDHAM, NORFOLK, UK, NR18 9SB |  THIRD ANGLE PROJECTION | MATERIAL | SEE COMPONENT PARTS |
| | | FINISH | SEE COMPONENT PARTS |
| UNLESS OTHERWISE STATED: DIMENSIONS IN MILLIMETRES TOLERANCES: LINEAR ± 0.1 ANGULAR $\pm 0.5^\circ$ SURFACE FINISH $\sqrt{\quad} = \sqrt{\quad}$ DRAWING STANDARDS TO ATQS 6003 DATE FORMAT: DD/MM/YY | SCALE | WEIGHT | DRAWING TITLE |
| | 1:1 | 0.5 kg | |
| THIS DESIGN IS THE PROPERTY OF AT POWER THROTTLES LTD AND MUST NOT BE REPRODUCED OR COMMUNICATED WITHOUT AUTHORITY | DRAWN- | M.DAVIS | DRAWING NUMBER |
| | DATE - | 26/03/15 | |
| CAD PLOT DO NOT SCALE | CHECKED - | S.HOW | SHEET 2 OF 2 A3 |
| | APPROVED - | A.CLIFTON | |