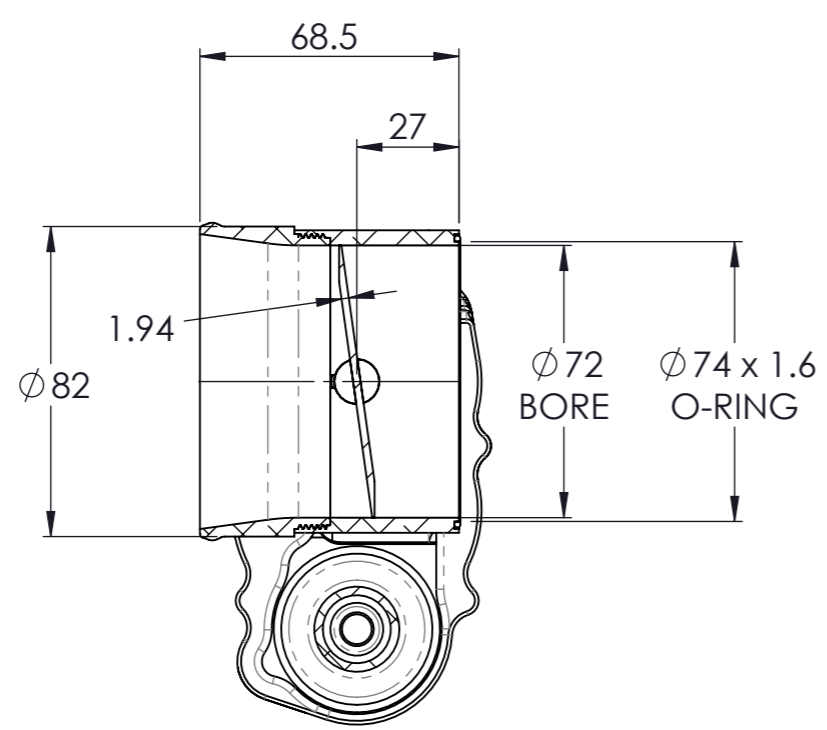
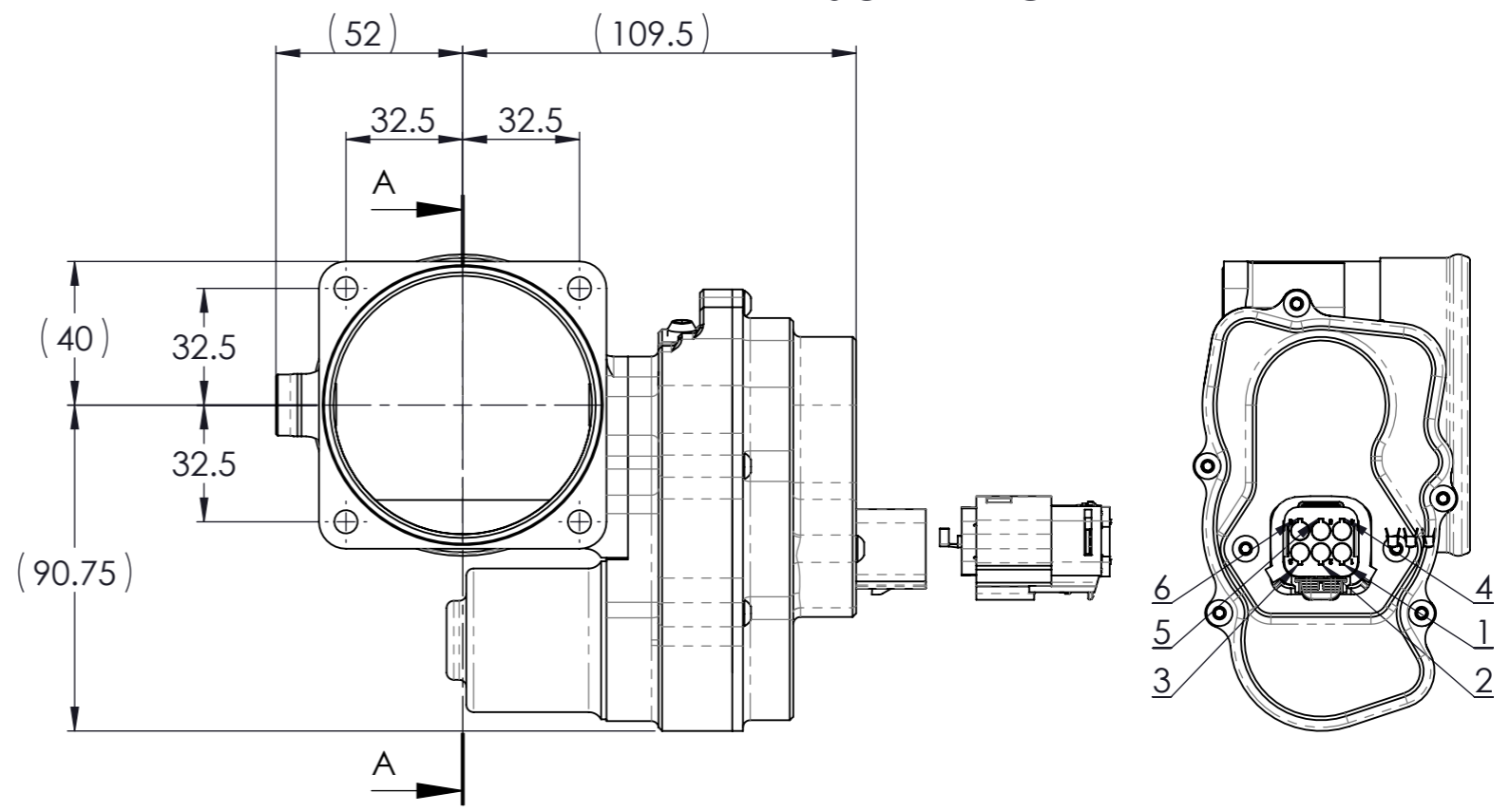


ISOMETRIC VIEW



SECTION A-A
SCALE 1 : 2



CONNECTOR PIN OUT

- PIN
1. +VE (MOTOR)
 2. SUPPLY (SENSOR)
 3. -VE (MOTOR)
 4. GRD
 5. CH-1
 6. CH-2

NOTES:

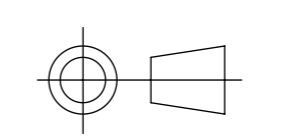
1. LABEL TO CONTAIN PART NUMBER, BATCH NUMBER AND DATE CODE
2. COMPONENT TO BE FREE FROM OIL, GREASE AND CHEMICALS
3. MATING CONNECTOR MX150-L (19418-0011)
4. OPERATING RATE (MOTOR DRIVEN): <0.07 SEC/60 DEG
5. OPERATING RATE (SPRING RETURN): <0.5 SEC/60 DEG
6. SENSOR OUTPUT VOLTAGE (FULLY CLOSED): TBA
7. SENSOR OUTPUT VOLTAGE (FULLY OPEN): TBA
8. STORAGE TEMPERATURE :AIR AT -20 °C TO +80 °C
9. EXTERNAL WORKING TEMPERATURE RANGE -20 °C TO +130 °C



COPYRIGHT (c) 2013
AT POWER LTD
UNIT 9, CHESTNUT DRIVE, WYMONDHAM,
NORFOLK, UK, NR18 9SB

UNLESS OTHERWISE STATED:
DIMENSIONS IN MILLIMETRES
TOLERANCES: LINEAR ± 0.1 ANGULAR ± 0.5°
SURFACE FINISH √ = √
DRAWING STANDARDS TO ATQS 6003
DATE FORMAT: DD/MM/YY

THIS DESIGN IS THE PROPERTY OF
AT POWER THROTTLES LTD AND
MUST NOT BE REPRODUCED OR
COMMUNICATED WITHOUT
AUTHORITY



THIRD ANGLE PROJECTION

SCALE 1:5 WEIGHT 2.3 kg

DRAWN- d.mitchell

DATE - 25/07/12

CHECKED - S.HOW

APPROVED - S.HOW

MATERIAL
SEE COMPONENT PARTS

FINISH
SEE COMPONENT PARTS

DRAWING TITLE
ASSY - ATP - DBW - NISSAN
- GTR - 72MM - PAIR

DRAWING NUMBER
102-102-00016