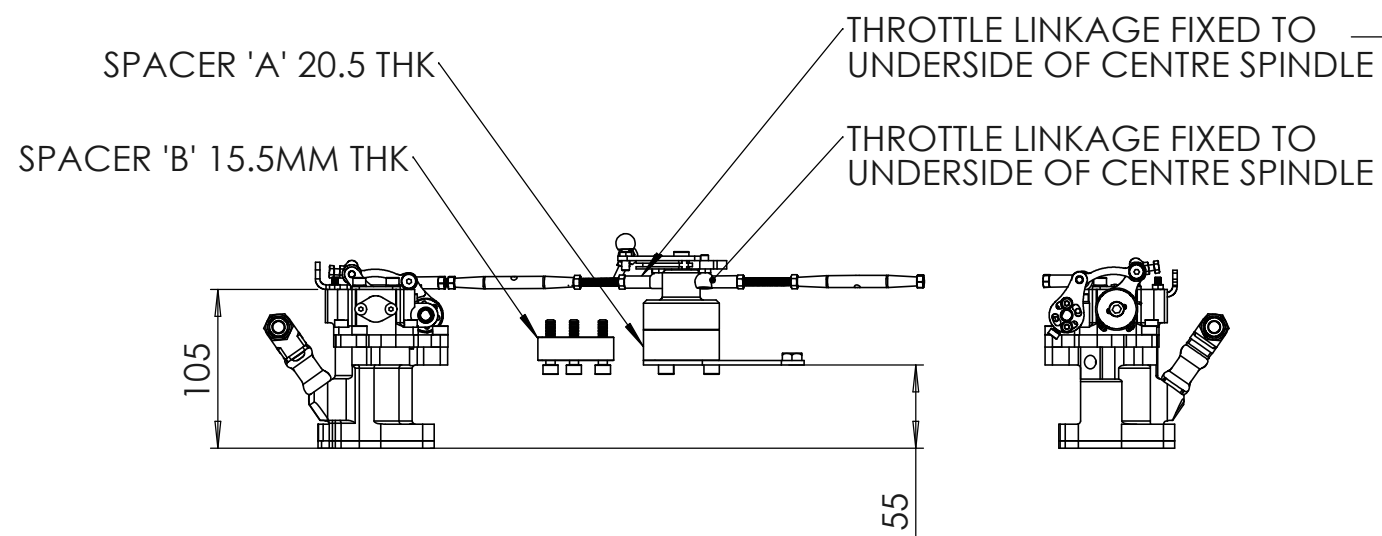
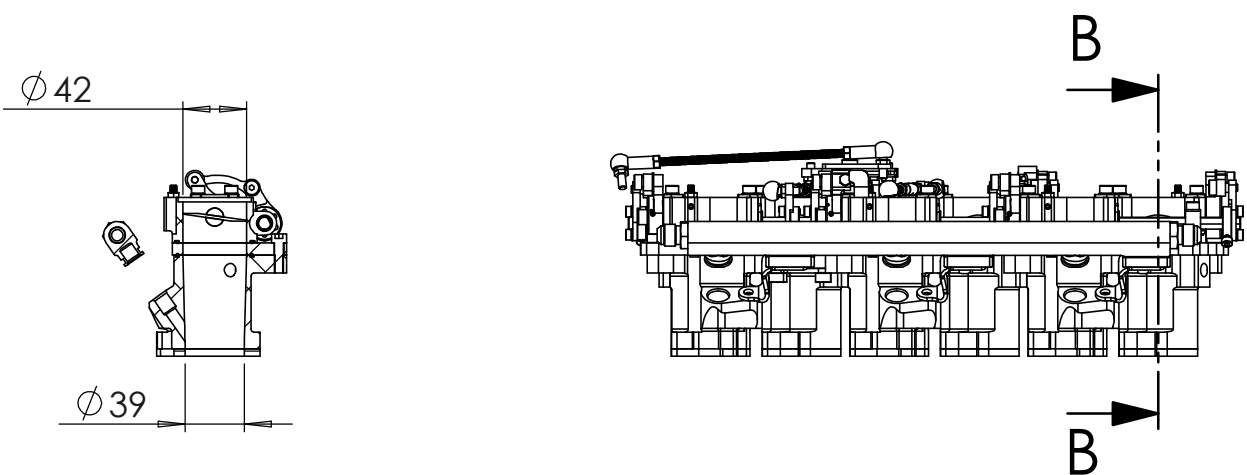
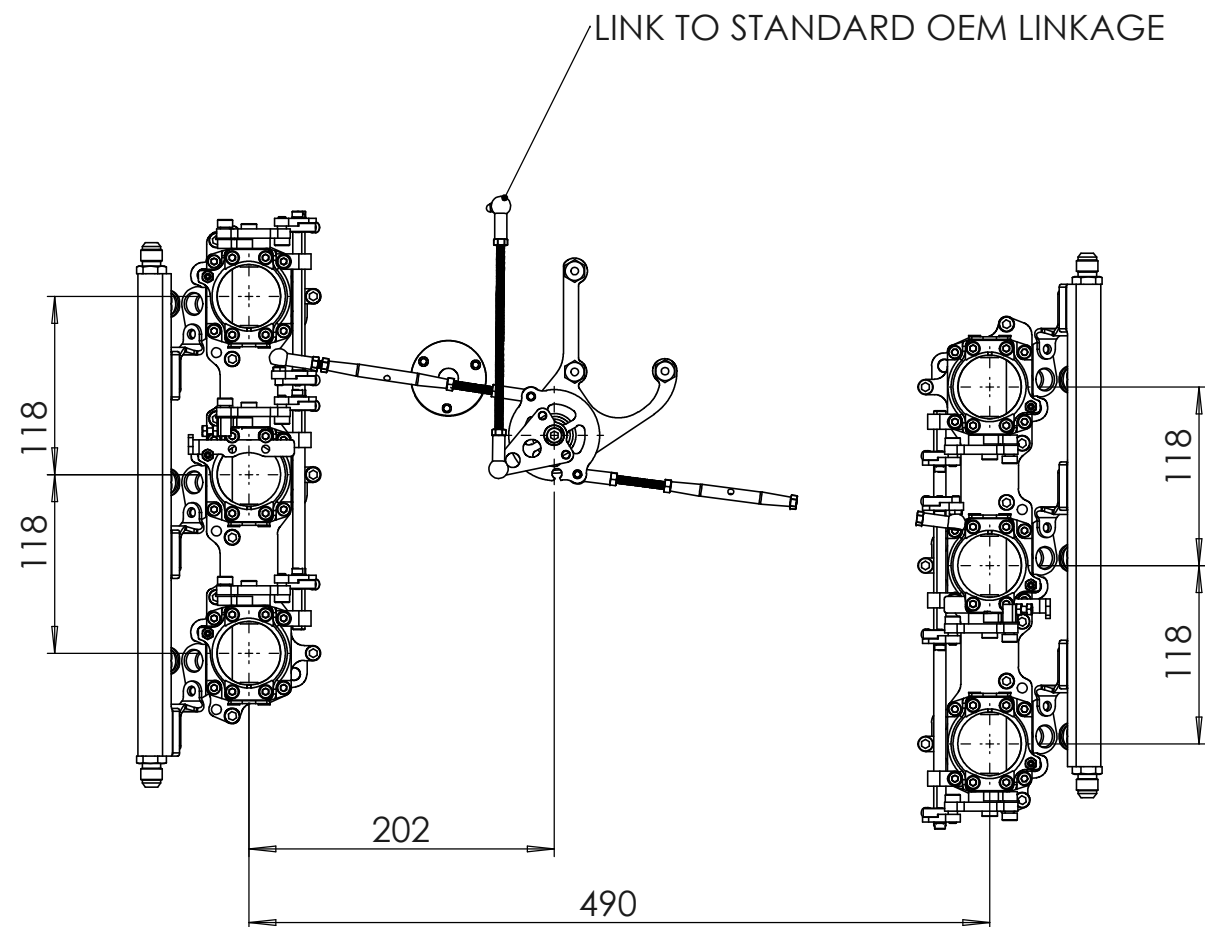
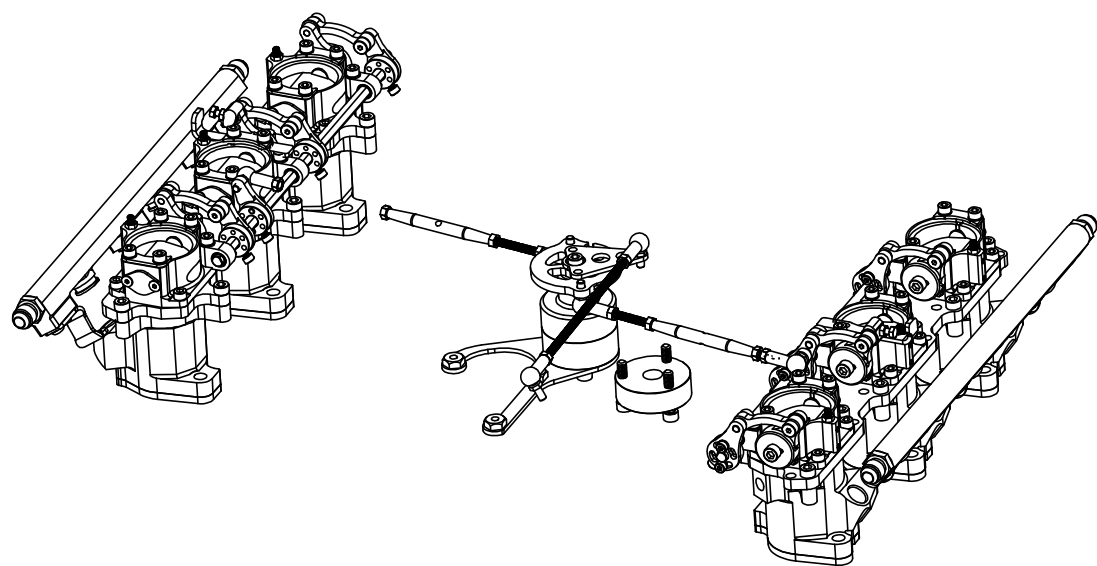



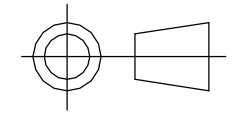
42MM DIAMETER SHAFTLESS THROTTLES TO 39MM DIAMETER AT HEAD FACE



SECTION B-B

LINK ARMS MUST BE PARALLEL IN PLAN VIEW & HORIZONTAL IN END VIEW TO MAINTAIN FLOW BALANCE BETWEEN THROTTLE BANKS
 SPACER 'A' IS FOR THE STANDARD PORSCHE 911 2 BOLT FLANGE GIVING 55MM FROM HEAD FACE TO TOP OF BREATHER COVER MOUNTING FLANGE

SPACER 'B' IS FOR THE 3.2L+ CARRERA 2 BOLT FLANGE GIVING 60MM FROM HEAD FACE TO TOP OF BREATHER COVER MOUNTING FLANGE

 COPYRIGHT (c) 2013 AT POWER LTD UNIT 9, CHESTNUT DRIVE, WYMONDHAM, NORFOLK, UK, NR18 9SB	 THIRD ANGLE PROJECTION	MATERIAL	SEE COMPONENT PARTS
		FINISH	SEE COMPONENT PARTS
UNLESS OTHERWISE STATED: DIMENSIONS IN MILLIMETRES TOLERANCES: LINEAR ± 0.1 ANGULAR $\pm 0.5^\circ$ SURFACE FINISH $\nabla = \nabla$ DRAWING STANDARDS TO ATQS 6003 DATE FORMAT: DD/MM/YY	SCALE	WEIGHT	DRAWING TITLE ASSY - PORSCHE - 911 - 42MM TO 39MM- 2 HOLE MOUNT
	1:5	4.8 kg	
THIS DESIGN IS THE PROPERTY OF AT POWER THROTTLES LTD AND MUST NOT BE REPRODUCED OR COMMUNICATED WITHOUT AUTHORITY	DRAWN-	S.HOW	DRAWING NUMBER 102-102-00134
	DATE -	03/04/17	
CAD PLOT DO NOT SCALE	CHECKED -	S.HOW	SHEET 2 OF 2 A3
	APPROVED -	A.CLIFTON	