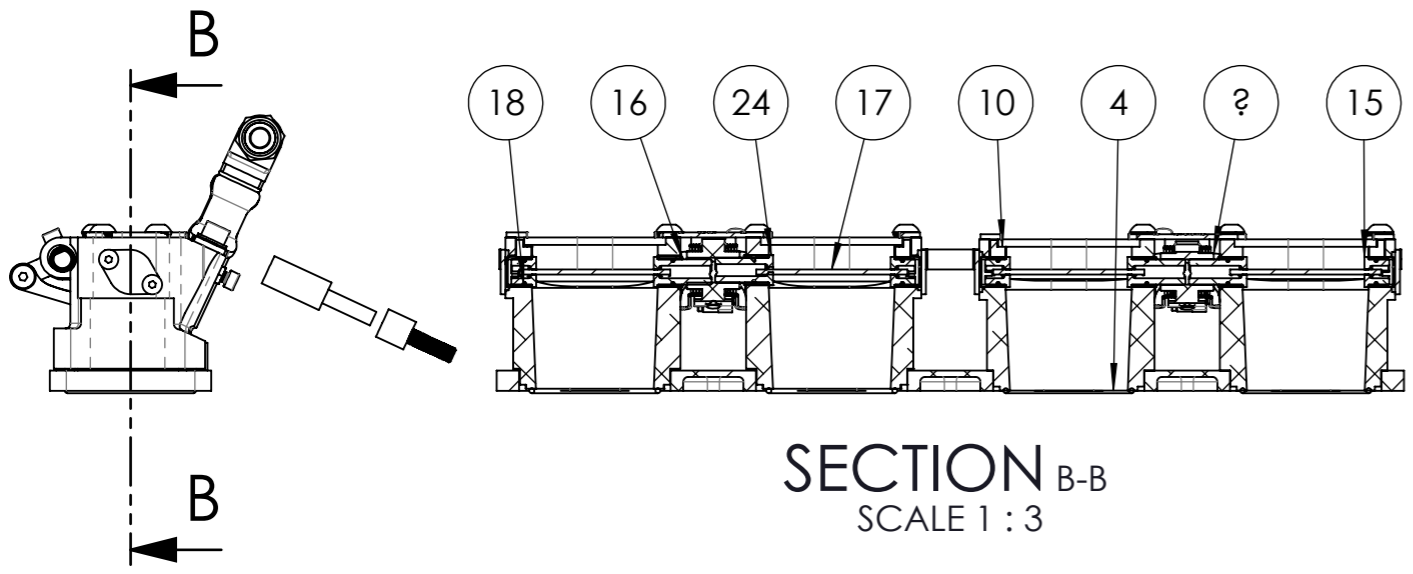
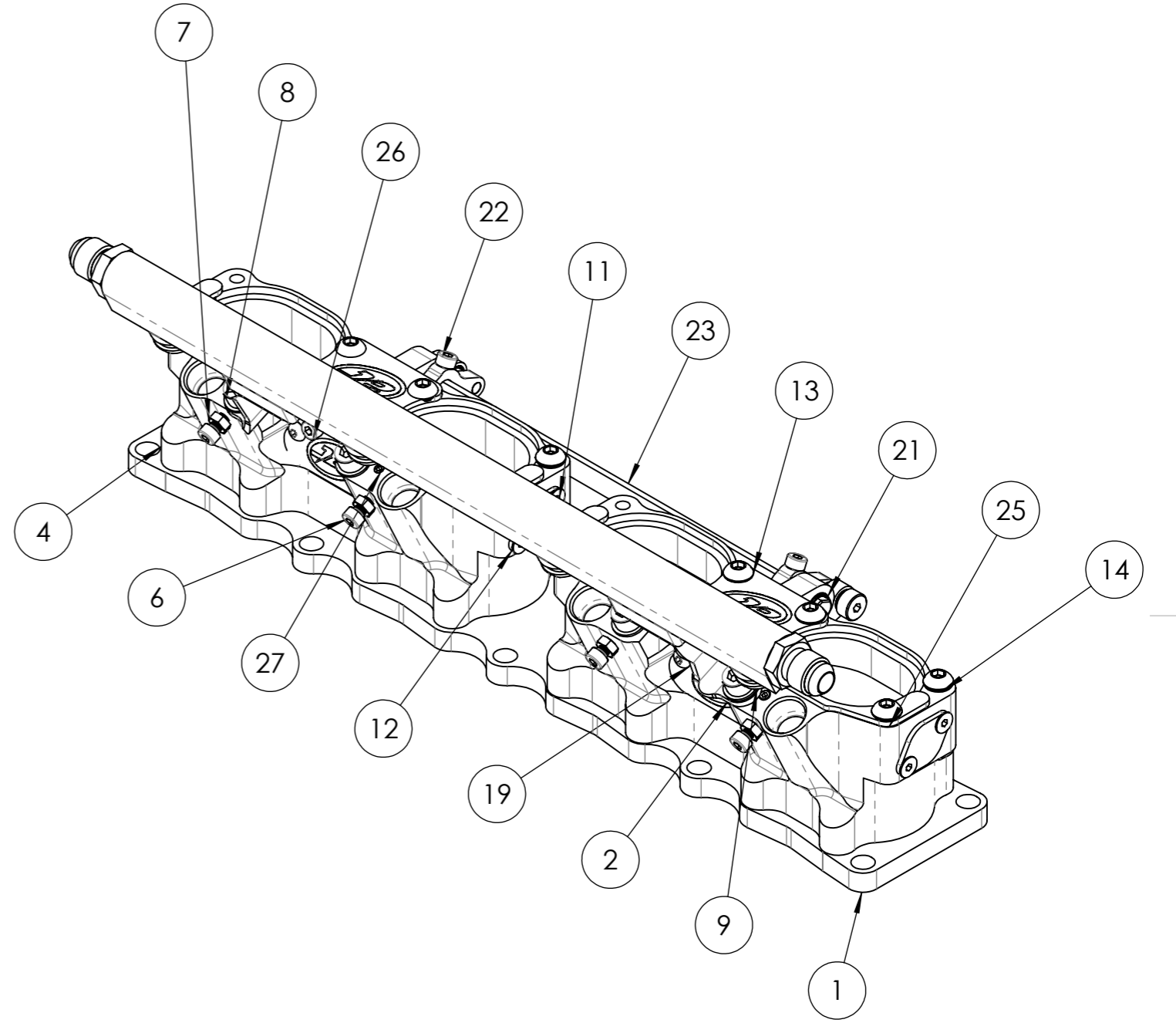

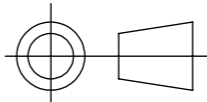


| ITEM NO. | PART DESCRIPTION | PART NUMBER | QTY. |
|----------|---|---------------|------|
| 1 | FLANGE PLATE - UNIVERSAL - SUZUKI - SWIFT | 102-213-00035 | 1 |
| 2 | ASSY - FUEL RAIL - EXTRUDED - HONDA - F20/K20 | 102-107-00063 | 1 |
| 3 | O RING - 48 ID x 2.0 DIA | 101-105-00060 | 4 |
| 4 | HOUSING - TWIN - SUZUKI - SWIFT - 45MM | 102-200-00192 | 2 |
| 5 | SCREW - SKT_HD - M4 x 12 - BZP | 101-101-00061 | 16 |
| 6 | SCREW - SKT_HD - M4 x 16 - BZP | 101-101-00063 | 6 |
| 7 | NUT - M4 | 101-102-00001 | 6 |
| 8 | SCREW - SKT_HD - M6 x 16 - BZP | 101-101-00062 | 4 |
| 9 | WASHER - FLAT - M6 x 12.5 x 0.9 | 101-103-00007 | 4 |
| 10 | PLUG PLATE - SINGLE - 4MM THICK | 102-210-00002 | 4 |
| 11 | SCREW - C/SUNK - M4 x 8 - BZP | 101-101-00102 | 8 |
| 12 | END PLATE | 102-209-00008 | 4 |
| 13 | SCREW - BTN_HD - M6 x 12 - BZP | 101-101-00065 | 14 |
| 14 | WASHER - SCHNORR - M6 - SAFETY - TYPE-S | 101-103-00025 | 14 |
| 15 | SHAFT - OUTER - TPS - STUB | 102-201-00012 | 4 |
| 16 | BUSH - DU - Ø10 x Ø12 x 10 | 101-113-00041 | 8 |
| 17 | BLADE - OVAL - 45MM - 50 x R18 | 102-202-00035 | 4 |
| 18 | O-RING - Ø8.0 ID x 1.0 DIA | 101-105-00005 | 8 |
| 19 | SCREW - BTN_HD - M4 x 8 - BZP | 101-101-00014 | 4 |
| 20 | ASSY - LEVER - CENTER | 102-103-00014 | 2 |
| 21 | BUSH - DU - Ø8 x Ø10 x 12 | 101-113-00054 | 2 |
| 22 | ASSY - LINKAGE - LEVER - LAYSHAFT - TWINS | 102-110-00007 | 2 |
| 23 | LAYSHAFT - LINKAGE - 205 LG | 102-215-00122 | 1 |
| 24 | SHAFT - INNER - 23 LG | 102-201-00013 | 4 |
| 25 | CLAMP PLATE - SUZUKI - SWIFT - 45MM | 102-208-00068 | 2 |
| 26 | COVER PLATE - LARGE | 102-209-00007 | 2 |
| 27 | SCREW - GRUB - M4 x 4 | 101-101-00028 | 4 |

| ISSUE | DESCRIPTION | ECN | DRN | CHK | DATE |
|-------|-----------------|-------|-------|-----|----------|
| 01 | INITIAL RELEASE | A0762 | S.HOW | MED | 07/07/15 |

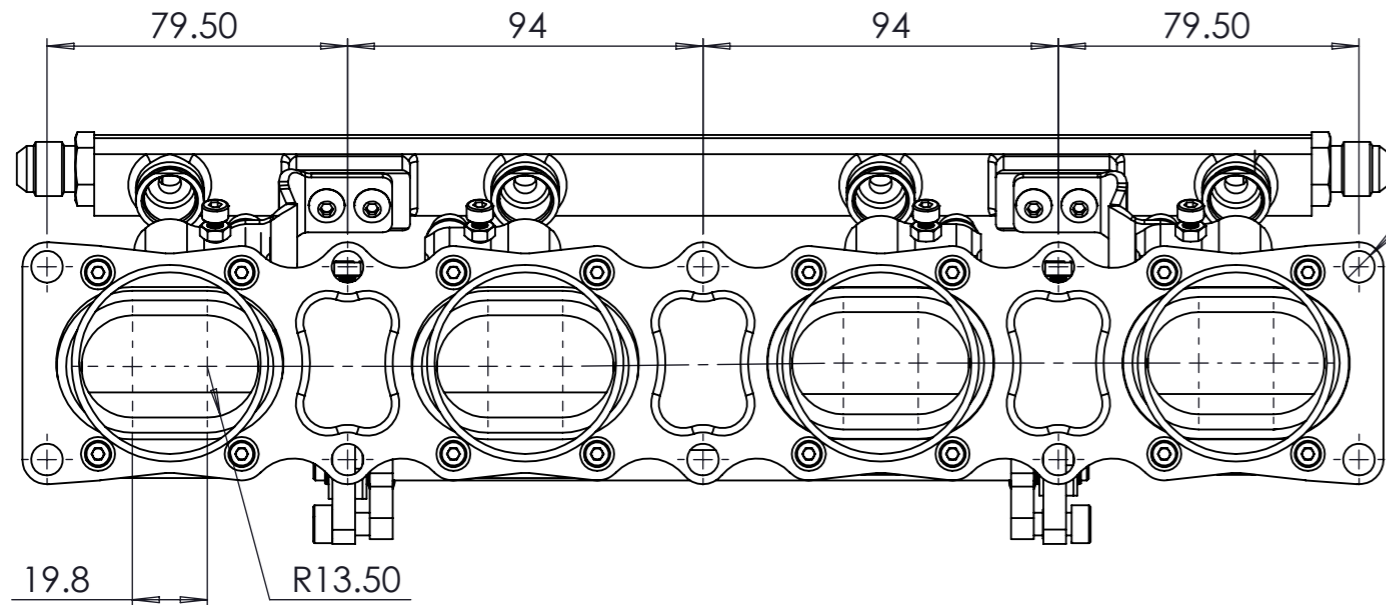
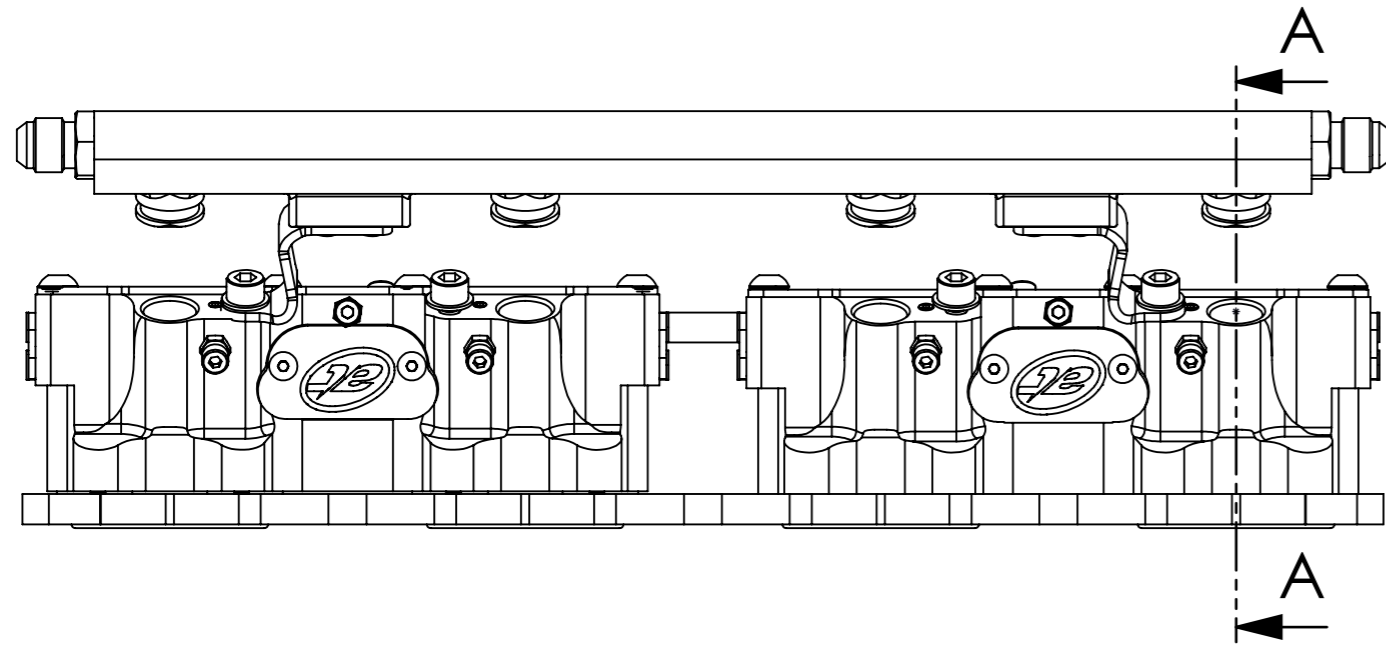


SECTION B-B
SCALE 1 : 3

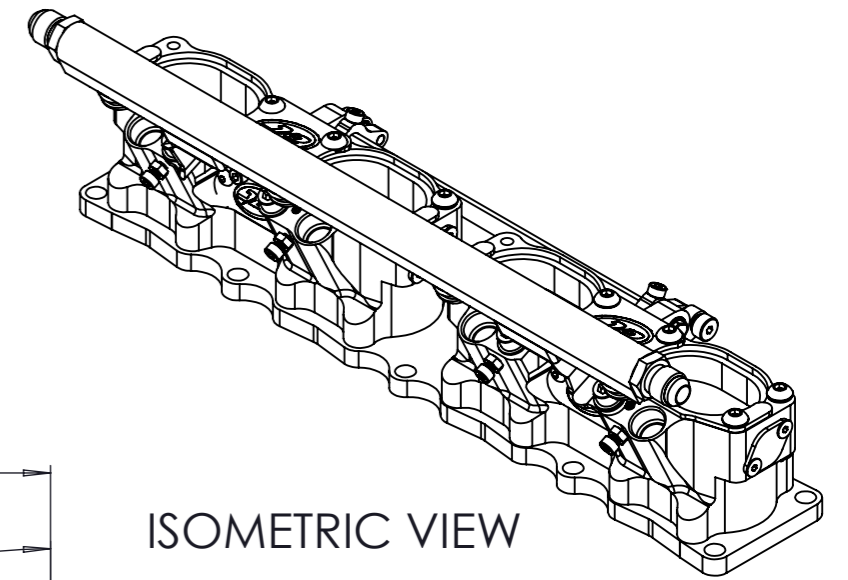
| | | | |
|---|---|-----------|--|
|  COPYRIGHT (c) 2013 AT POWER LTD UNIT 9, CHESTNUT DRIVE, WYMONDHAM, NORFOLK, UK, NR18 9SB |  THIRD ANGLE PROJECTION | MATERIAL | SEE COMPONENT PARTS |
| | | FINISH | SEE COMPONENT PARTS |
| UNLESS OTHERWISE STATED: DIMENSIONS IN MILLIMETRES TOLERANCES: LINEAR ± 0.1 ANGULAR ± 0.5° SURFACE FINISH √ = √ DRAWING STANDARDS TO ATQS 6003 DATE FORMAT: DD/MM/YY THIS DESIGN IS THE PROPERTY OF AT POWER THROTTLES LTD AND MUST NOT BE REPRODUCED OR COMMUNICATED WITHOUT AUTHORITY | SCALE | WEIGHT | DRAWING TITLE ASSY - TWIN - SUZUKI - SWIFT - 45MM |
| | 1:2 | 1.9 kg | |
| | DRAWN- | M.DAVIS | |
| | DATE - | 08/07/15 | DRAWING NUMBER |
| | CHECKED - | M.DAVIS | 102-104-00065 |
| | APPROVED - | A.CLIFTON | |
| | CAD PLOT DO NOT SCALE | | SHEET 1 OF 2 A3 |

NOTE;

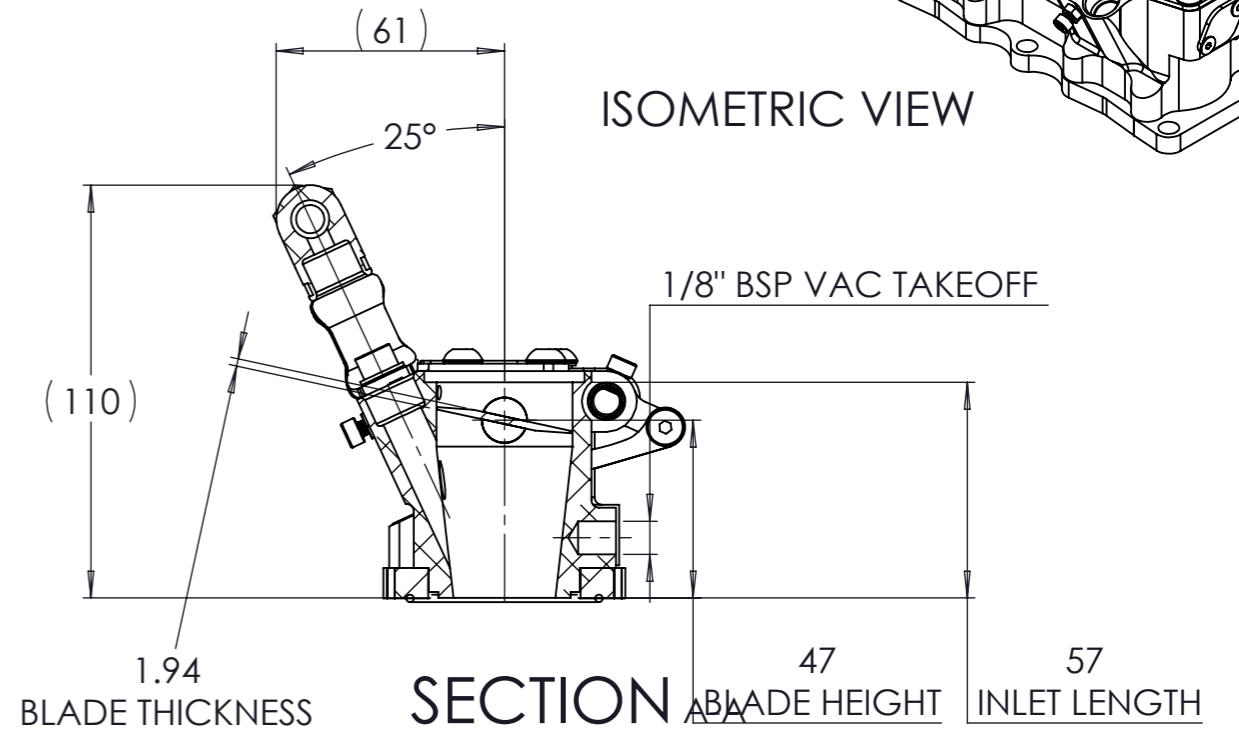
BLADE DIMENSIONS - 50 WIDE x 36 HIGH
= Ø45mm EQUIVALENT OVAL



10 x Ø 8.40 THRU ALL



ISOMETRIC VIEW



SECTION

AT power

COPYRIGHT (c) 2013
AT POWER LTD
UNIT 9, CHESTNUT DRIVE, WYMONDHAM,
NORFOLK, UK, NR18 9SB

UNLESS OTHERWISE STATED:
DIMENSIONS IN MILLIMETRES
TOLERANCES: LINEAR ± 0.1 ANGULAR ± 0.5°
SURFACE FINISH √ = √
DRAWING STANDARDS TO ATQS 6003
DATE FORMAT: DD/MM/YY

THIS DESIGN IS THE PROPERTY OF
AT POWER THROTTLES LTD AND
MUST NOT BE REPRODUCED OR
COMMUNICATED WITHOUT
AUTHORITY

CAD PLOT
DO NOT
SCALE

THIRD ANGLE PROJECTION

| | |
|----------------------|-------------------------|
| SCALE 1:2 | WEIGHT 1.9 kg |
| DRAWN- M.DAVIS | DATE - 08/07/15 |
| CHECKED - M.DAVIS | APPROVED - A.CLIFTON |

| | |
|----------------|--|
| MATERIAL | SEE COMPONENT PARTS |
| FINISH | SEE COMPONENT PARTS |
| DRAWING TITLE | ASSY - TWIN - SUZUKI - SWIFT - 45MM |
| DRAWING NUMBER | 102-104-00065 |

SHEET 2 OF 2 A3