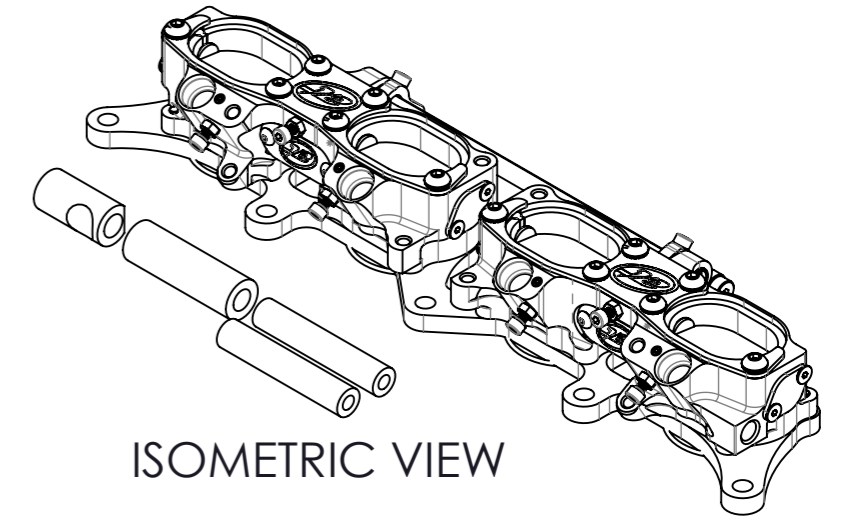
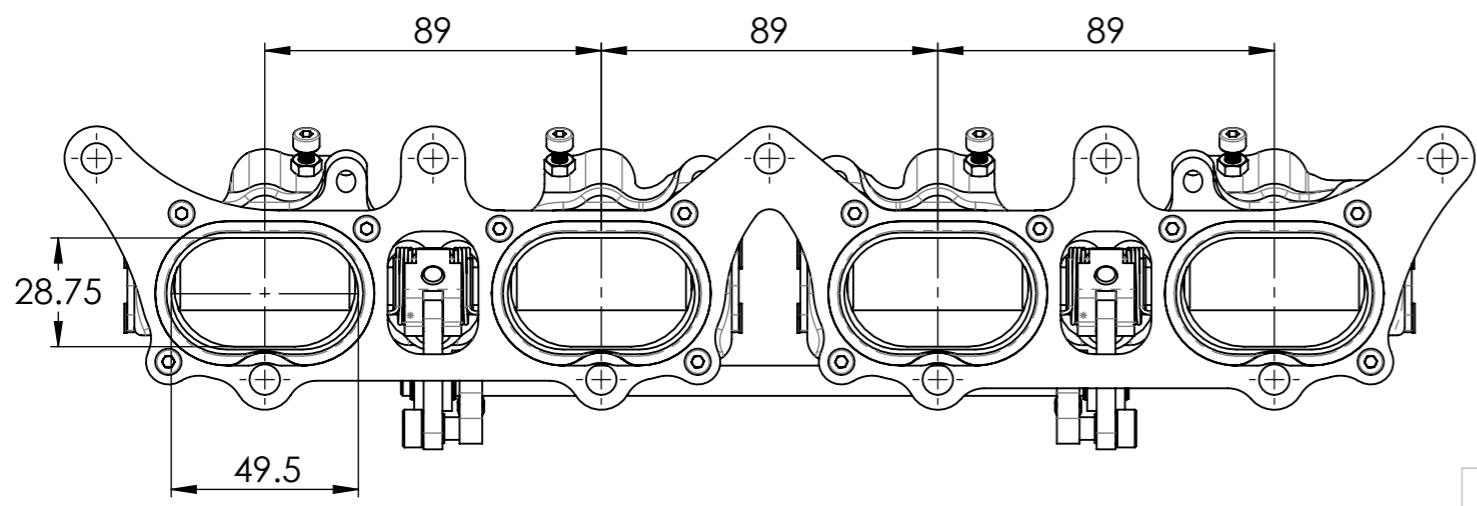
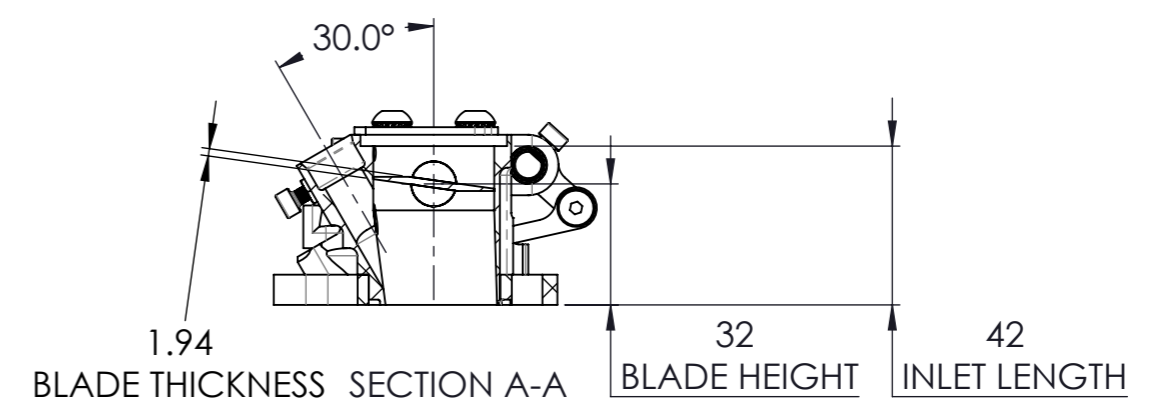
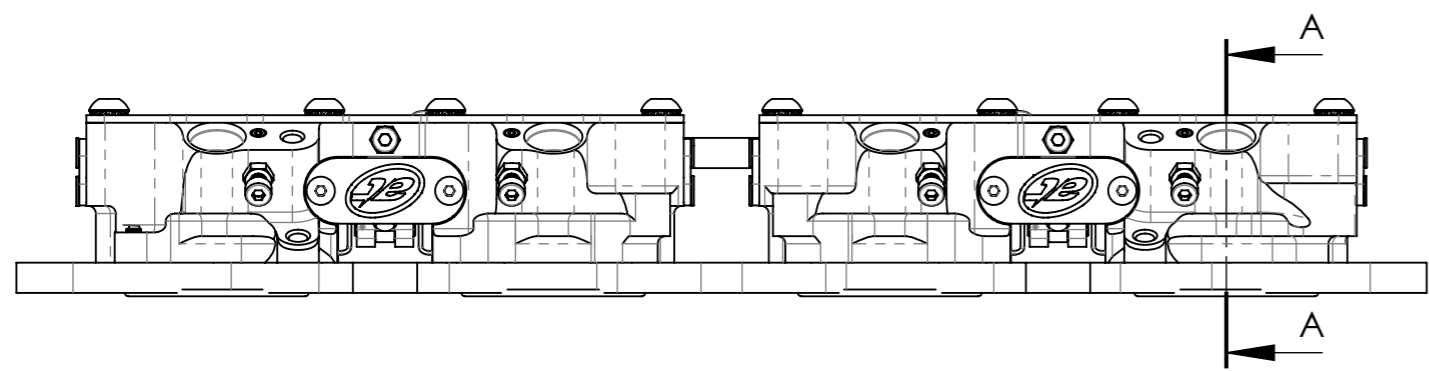



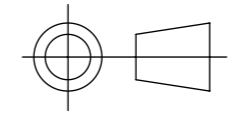
NOTE;

BLADE DIMENSIONS - 48 WIDE x 32 HIGH  
 =  $\phi$  42mm EQUIVALENT OVAL



ISOMETRIC VIEW



 COPYRIGHT (c) 2013 AT POWER LTD UNIT 9, CHESTNUT DRIVE, WYMONDHAM, NORFOLK, UK, NR18 9SB	 THIRD ANGLE PROJECTION	MATERIAL	SEE COMPONENT PARTS
		FINISH	SEE COMPONENT PARTS
UNLESS OTHERWISE STATED: DIMENSIONS IN MILLIMETRES TOLERANCES: LINEAR $\pm$ 0.1 ANGULAR $\pm$ 0.5° SURFACE FINISH $\sqrt{\text{ }}$ = $\sqrt{\text{ }}$ DRAWING STANDARDS TO ATQS 6003 DATE FORMAT: DD/MM/YY THIS DESIGN IS THE PROPERTY OF ACTIVE TECHNOLOGIES LTD AND MUST NOT BE REPRODUCED OR COMMUNICATED WITHOUT AUTHORITY	SCALE	WEIGHT	DRAWING TITLE <b>ASSY - HOUSING -                  TWIN - RENAULT - F4R</b>
	1:2	1.3 kg	
	DRAWN-	M.DAVIS	
	DATE -	13/11/14	DRAWING NUMBER <b>102-104-00016</b>
	CHECKED -	S.HOW	
	APPROVED -	A.CLIFTON	SHEET 2 OF 2 A3