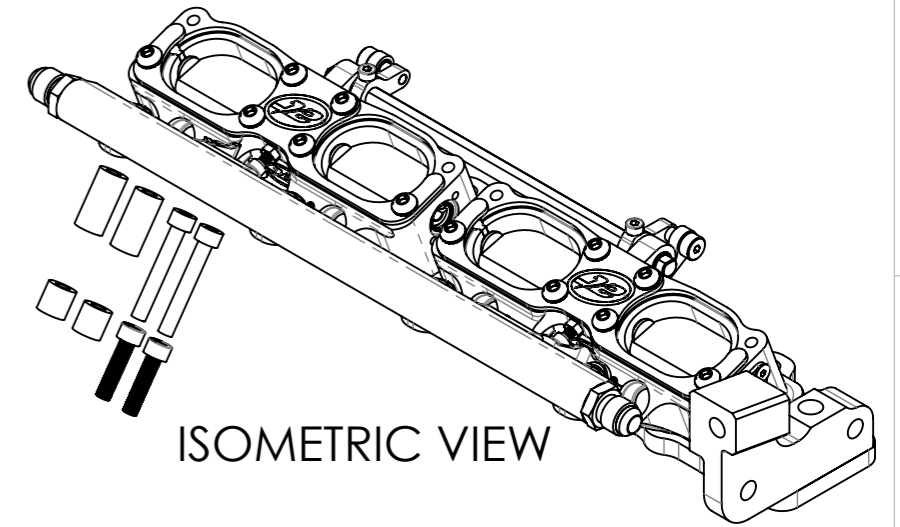
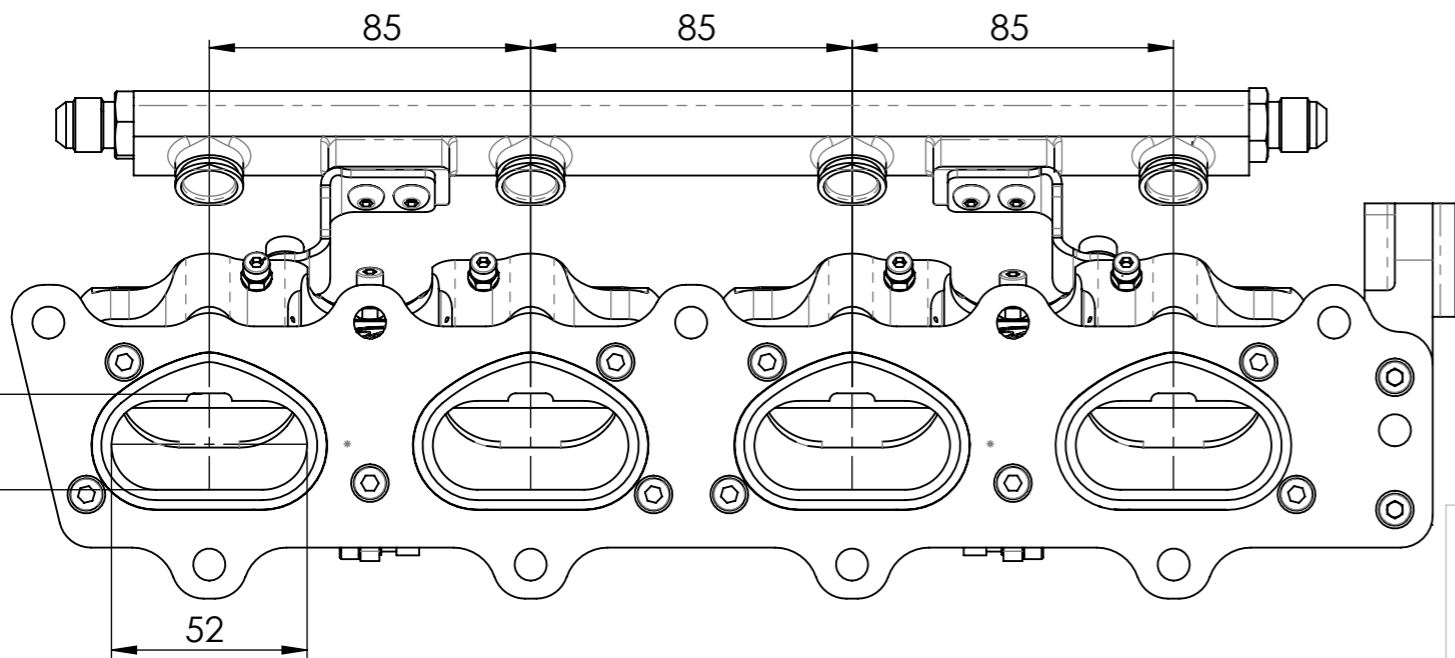
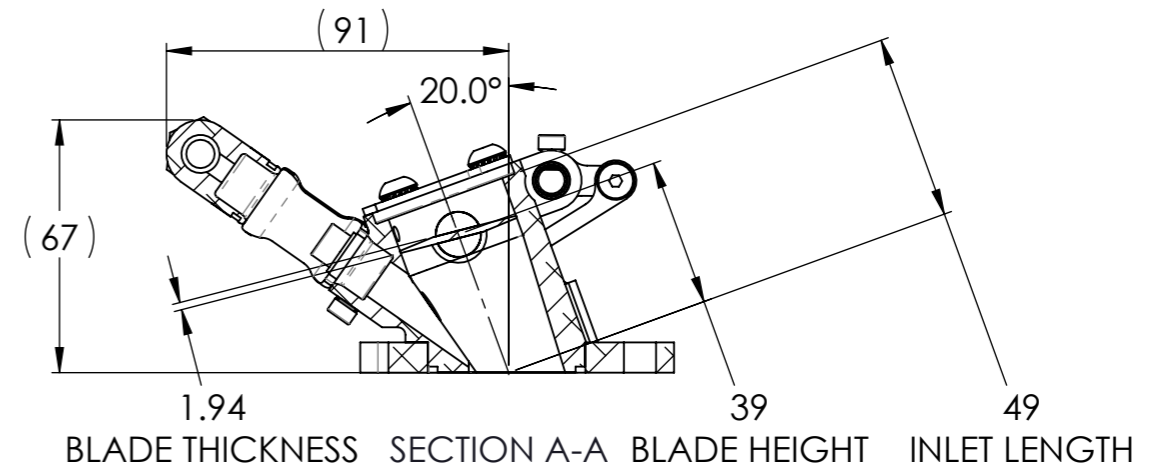
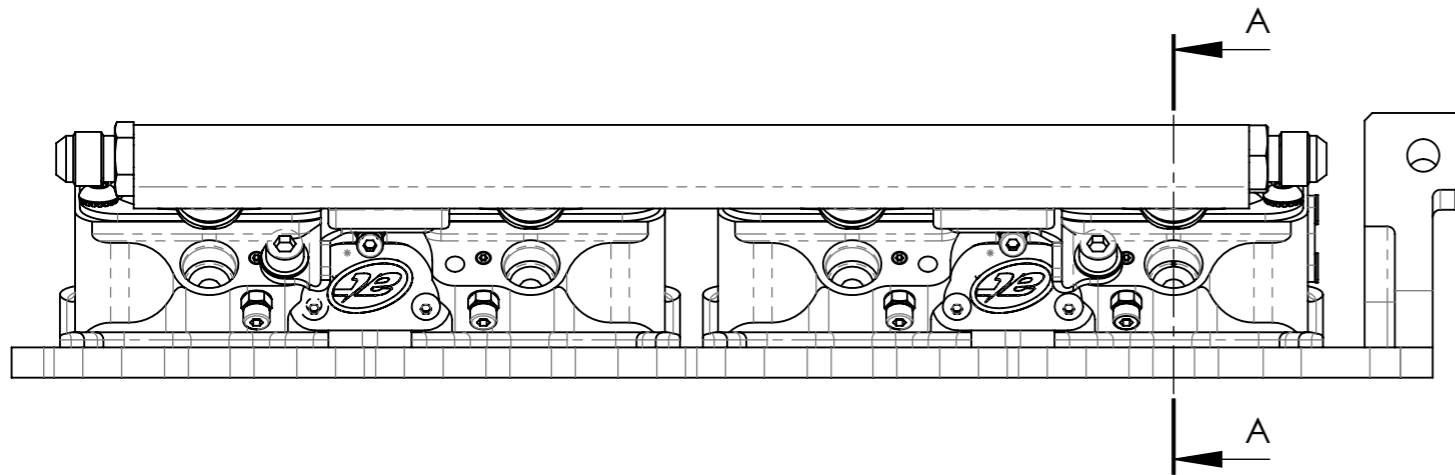



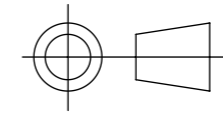
NOTE;

BLADE DIMENSIONS - 48 WIDE x 32 HIGH
 = ϕ 42mm EQUIVALENT OVAL



ISOMETRIC VIEW



 COPYRIGHT (c) 2013 AT POWER LTD UNIT 9, CHESTNUT DRIVE, WYMONDHAM, NORFOLK, UK, NR18 9SB	 THIRD ANGLE PROJECTION	MATERIAL	SEE COMPONENT PARTS
		FINISH	SEE COMPONENT PARTS
UNLESS OTHERWISE STATED: DIMENSIONS IN MILLIMETRES TOLERANCES: LINEAR \pm 0.1 ANGULAR \pm 0.5° SURFACE FINISH $\sqrt{\text{ }}$ = $\sqrt{\text{ }}$ DRAWING STANDARDS TO ATQS 6003 DATE FORMAT: DD/MM/YY THIS DESIGN IS THE PROPERTY OF AT POWER THROTTLES LTD AND MUST NOT BE REPRODUCED OR COMMUNICATED WITHOUT AUTHORITY	SCALE	WEIGHT	DRAWING TITLE ASSY - HOUSING - TWIN - RENAULT - TWINGO - 42MM
	1:2	2.1 kg	
	DRAWN- M.DAVIS	DATE - 12/08/14	
CAD PLOT DO NOT SCALE	CHECKED - S.HOW	DRAWING NUMBER	102-104-00041
	APPROVED - A.CLIFTON	SHEET 2 OF 2 A3	