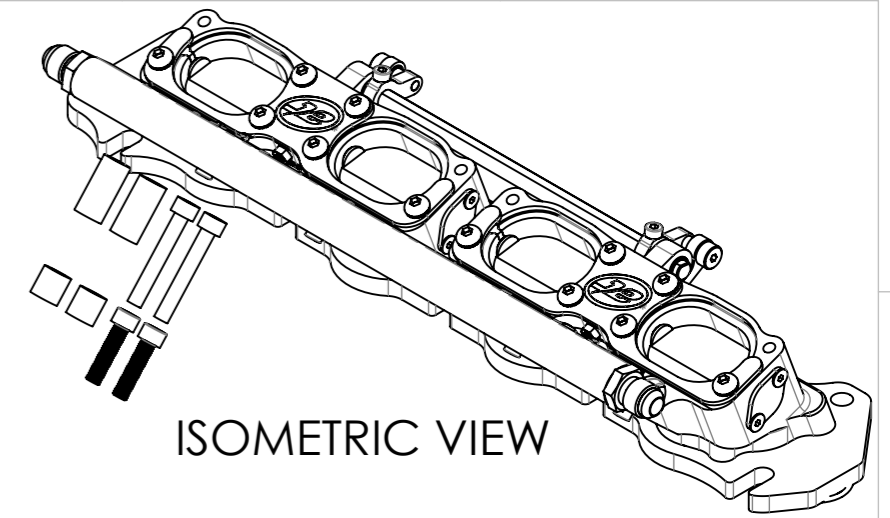
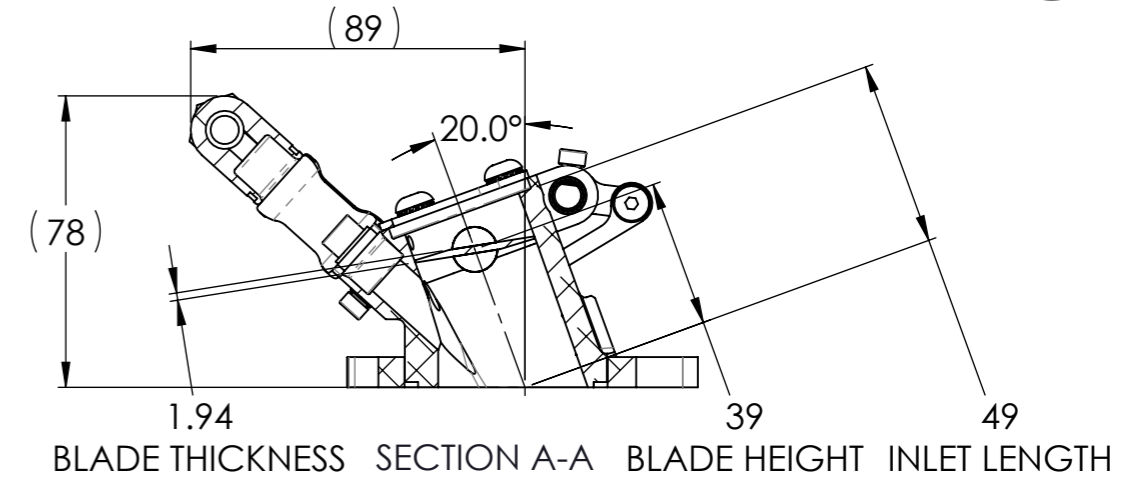
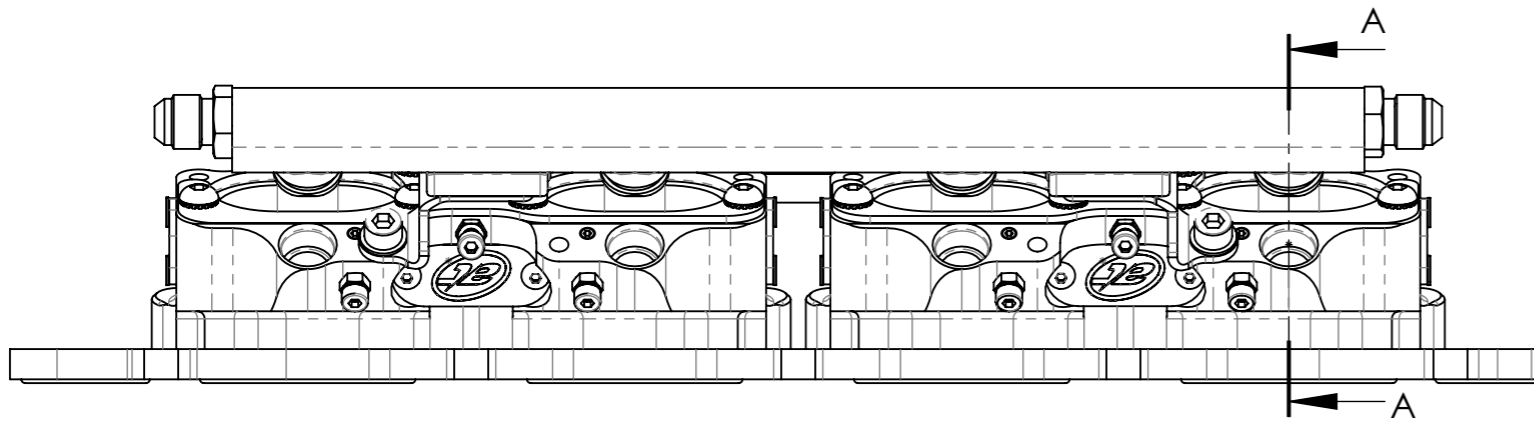


NOTE;

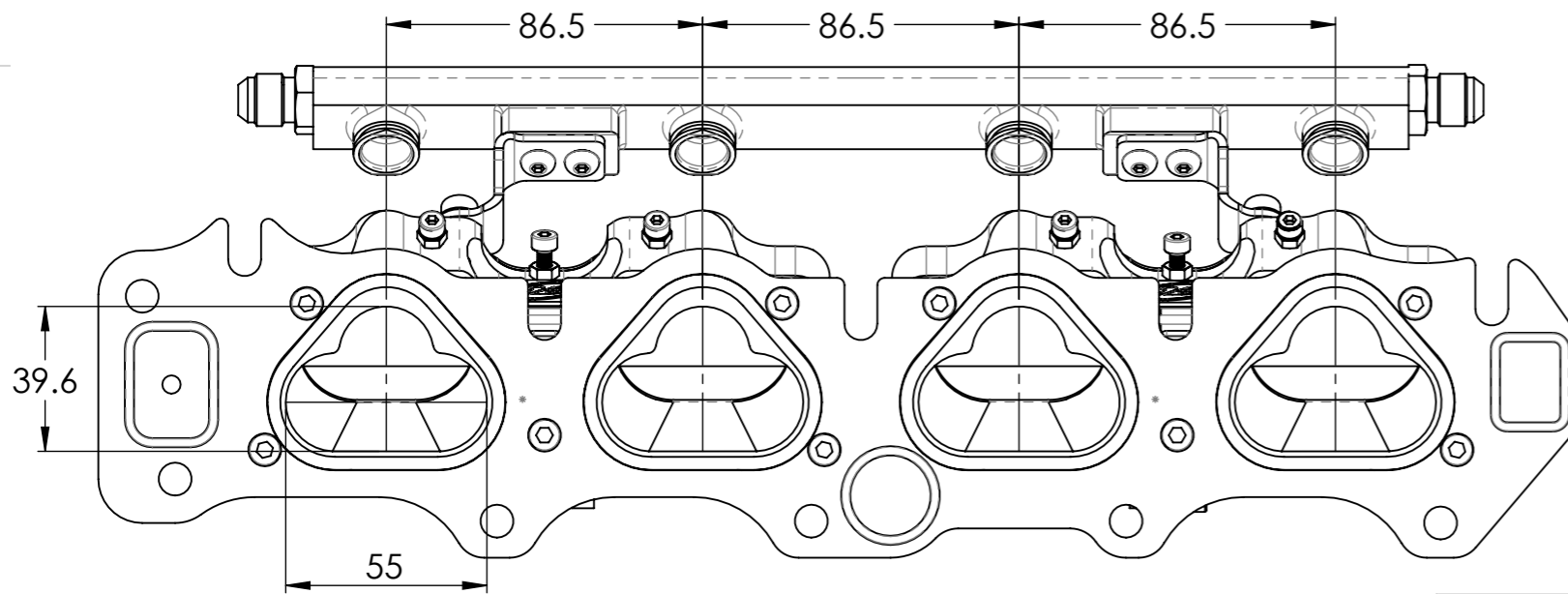
BLADE DIMENSIONS - 48 WIDE x 32 HIGH  
 =  $\phi$  42mm EQUIVALENT OVAL



ISOMETRIC VIEW



BLADE THICKNESS SECTION A-A BLADE HEIGHT INLET LENGTH

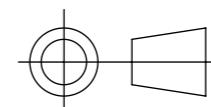


COPYRIGHT (c) 2013  
 AT POWER LTD  
 UNIT 9, CHESTNUT DRIVE, WYMONDHAM,  
 NORFOLK, UK, NR18 9SB

UNLESS OTHERWISE STATED:  
 DIMENSIONS IN MILLIMETRES  
 TOLERANCES: LINEAR  $\pm$  0.1 ANGULAR  $\pm$  0.5°  
 SURFACE FINISH  $\sqrt{\text{ }}$  =  $\sqrt{\text{ }}$   
 DRAWING STANDARDS TO ATQS 6003  
 DATE FORMAT: DD/MM/YY

THIS DESIGN IS THE PROPERTY OF  
 AT POWER THROTTLES LTD AND  
 MUST NOT BE REPRODUCED OR  
 COMMUNICATED WITHOUT  
 AUTHORITY

CAD PLOT  
 DO NOT  
 SCALE



THIRD ANGLE PROJECTION

SCALE 1:2 WEIGHT 2.0 kg

DRAWN- M.DAVIS

DATE - 08/08/14

CHECKED - S.HOW

APPROVED - A.CLIFTON

MATERIAL

SEE COMPONENT PARTS

FINISH

SEE COMPONENT PARTS

DRAWING TITLE

ASSY - HOUSING - TWIN  
 - VAUXHALL - X16XE

DRAWING NUMBER

102-104-00002

SHEET 2 OF 2 A3