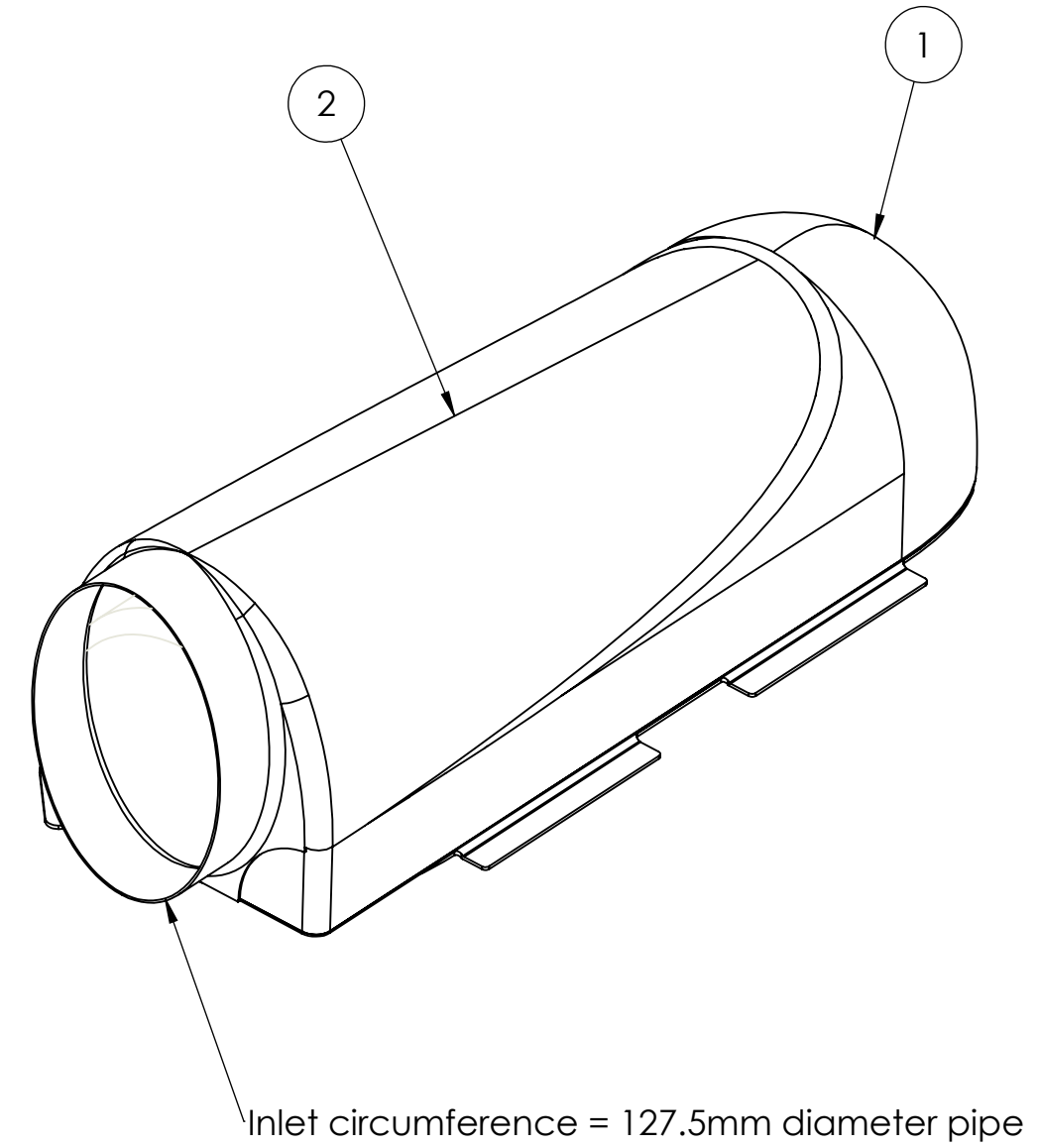
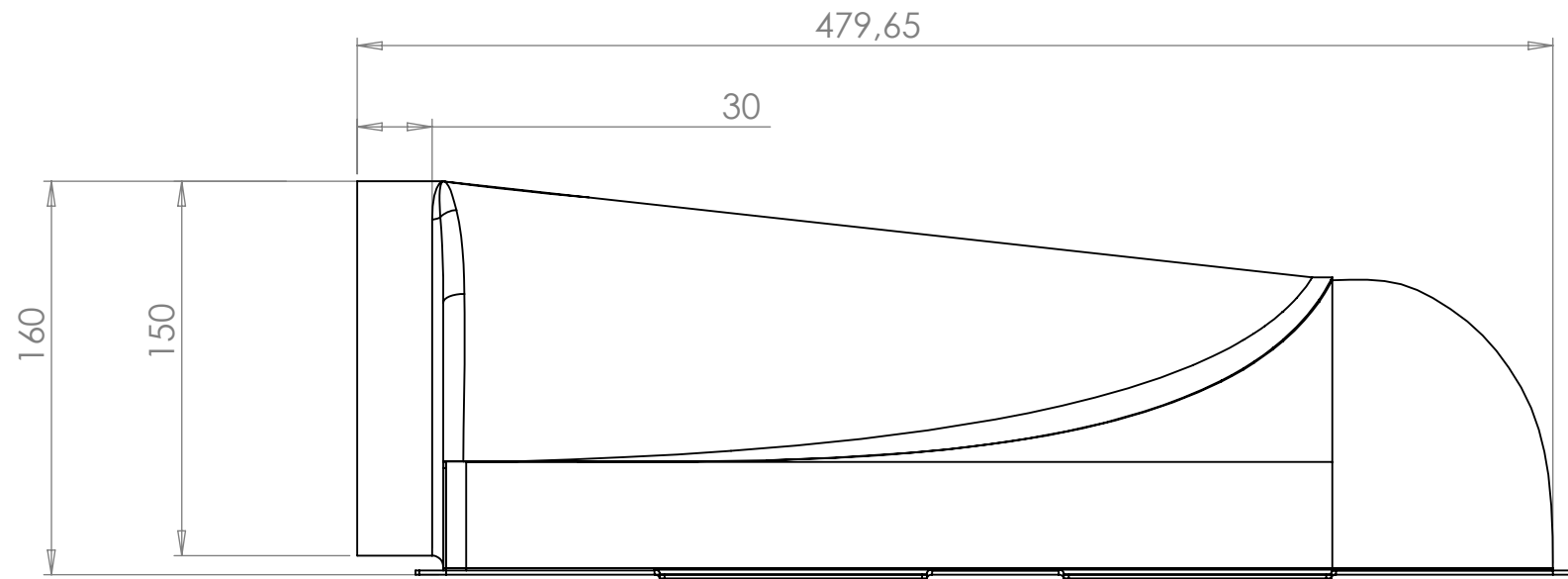


IF IN DOUBT ASK

INFORM DRAWING OFFICE OF ERRORS



ITEM No.	PART No.	DESCRIPTION	QTY
1	R01SE0435	R01SE0435_Zolder_112_LH_Airbox	1
2	R01SE0589	R01SE0589 - Zolder 122 bond on adapter on fit 127.5mm diameter inlet LH and RH	1

A3 SHEET 1 OF 1

ISSUE	DESCRIPTION	INITIALS	E.C.N. No	DATE	ALL DIMENSIONS IN MILLIMETERS	REMOVE ALL BURRS AND SHARP EDGES UNLESS OTHERWISE STATED	REVERIE	DRAWN SV	APP	TITLE																									
1	ORIGINAL ISSUE	SV		21/01/2013	TOLERANCES (AT 20C) UNLESS OTHERWISE STATED	Holes to BS4500 1985. Threads to BS3643 1981 METRIC COURSE. BSP THREADS TO BS 2779 MED FIT		SV		R01SE0590 - Zolder 150D LH carbon fibre air box 127.5mm inlet.																									
					<table border="1"> <thead> <tr> <th colspan="3">NOMINAL LINEAR DIMENSIONS</th> <th rowspan="4">SURFACE FINISHES MILLING N8 TURNING N7 GRINDING N6</th> </tr> <tr> <th>OVER-INCL</th> <th><-0.00</th> <th>0.00</th> </tr> </thead> <tbody> <tr> <td>0-200</td> <td>+/- 0.50</td> <td>+/- 0.15</td> </tr> <tr> <td>250-1000</td> <td>+/- 1.00</td> <td>+/- 0.20</td> </tr> <tr> <td>1000 PLUS</td> <td>+/- 2.00</td> <td>+/- 0.30</td> <td>ANG DIMS +/- 0.5°</td> </tr> </tbody> </table>	NOMINAL LINEAR DIMENSIONS			SURFACE FINISHES MILLING N8 TURNING N7 GRINDING N6	OVER-INCL	<-0.00	0.00	0-200	+/- 0.50	+/- 0.15	250-1000	+/- 1.00	+/- 0.20	1000 PLUS	+/- 2.00	+/- 0.30	ANG DIMS +/- 0.5°	<table border="1"> <thead> <tr> <th>FINISH</th> <th>SCALE</th> <th>MATERIAL</th> </tr> </thead> <tbody> <tr> <td>Polished</td> <td>Do Not Scale Drawing</td> <td>Carbon Fibre</td> </tr> <tr> <td>Weight</td> <td></td> <td>Matl.Stk Code</td> </tr> <tr> <td></td> <td></td> <td>DRG. No. R01SE0590</td> </tr> </tbody> </table>	FINISH	SCALE	MATERIAL	Polished	Do Not Scale Drawing	Carbon Fibre	Weight		Matl.Stk Code			DRG. No. R01SE0590
NOMINAL LINEAR DIMENSIONS			SURFACE FINISHES MILLING N8 TURNING N7 GRINDING N6																																
OVER-INCL	<-0.00	0.00																																	
0-200	+/- 0.50	+/- 0.15																																	
250-1000	+/- 1.00	+/- 0.20																																	
1000 PLUS	+/- 2.00	+/- 0.30	ANG DIMS +/- 0.5°																																
FINISH	SCALE	MATERIAL																																	
Polished	Do Not Scale Drawing	Carbon Fibre																																	
Weight		Matl.Stk Code																																	
		DRG. No. R01SE0590																																	

REMOVE ALL BURRS AND SHARP EDGES UNLESS OTHERWISE STATED

Holes to BS4500 1985. Threads to BS3643 1981 METRIC COURSE. BSP THREADS TO BS 2779 MED FIT

THIS A DRAWING IS A PRIVATE AND CONFIDENTIAL COMMUNICATION

Reverie Limited
Unit 2 Chandlers Row
Colchester
Essex
CO1 2HG
01206 866663
www.reverie.ltd.uk

DRAWN SV
DATE 21/01/2013
FINISH Polished
SCALE Do Not Scale Drawing
Weight

TITLE R01SE0590 - Zolder 150D LH carbon fibre air box 127.5mm inlet.
MATERIAL Carbon Fibre
Matl.Stk Code
DRG. No. R01SE0590