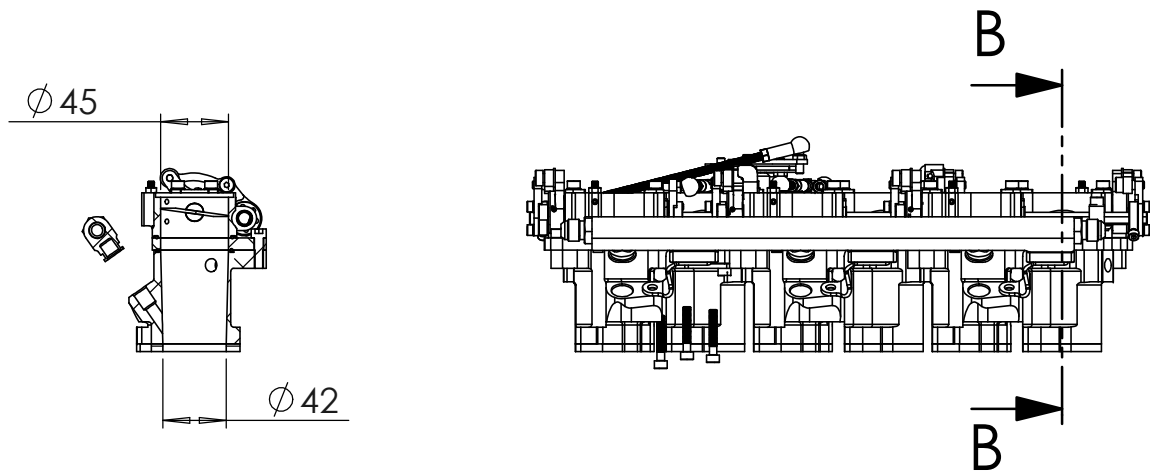
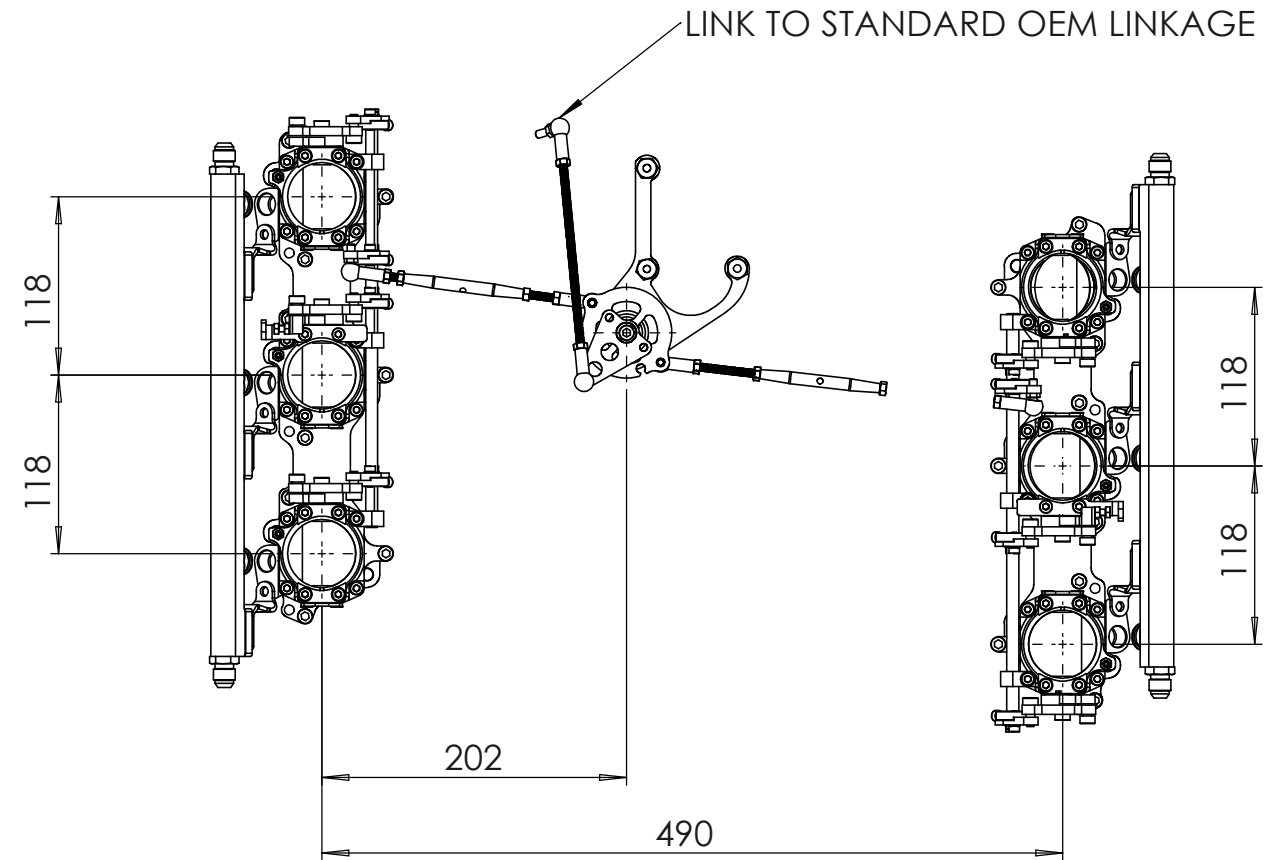
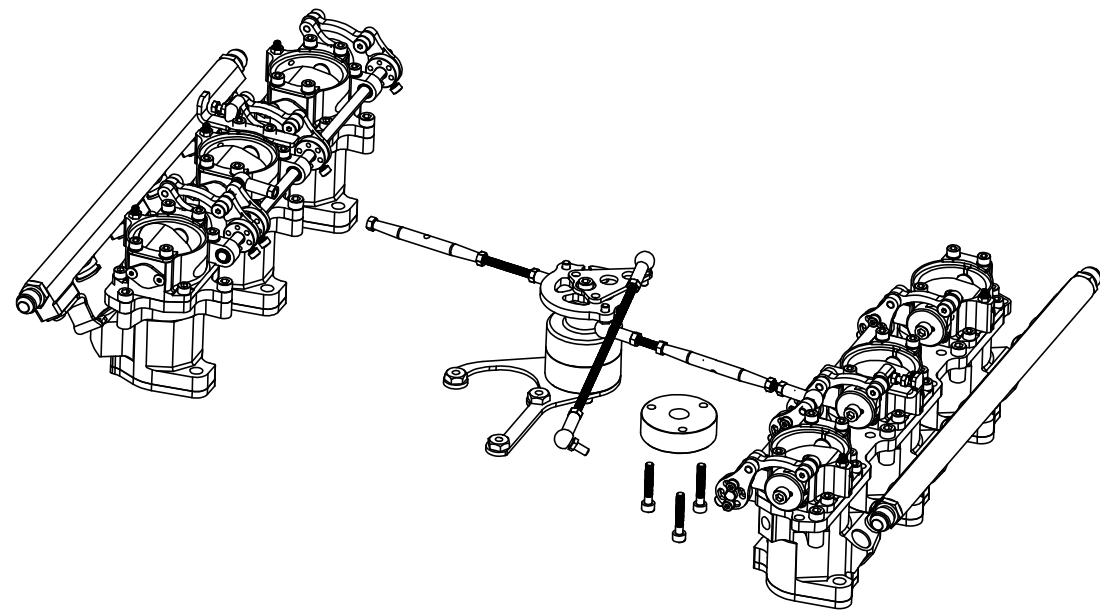
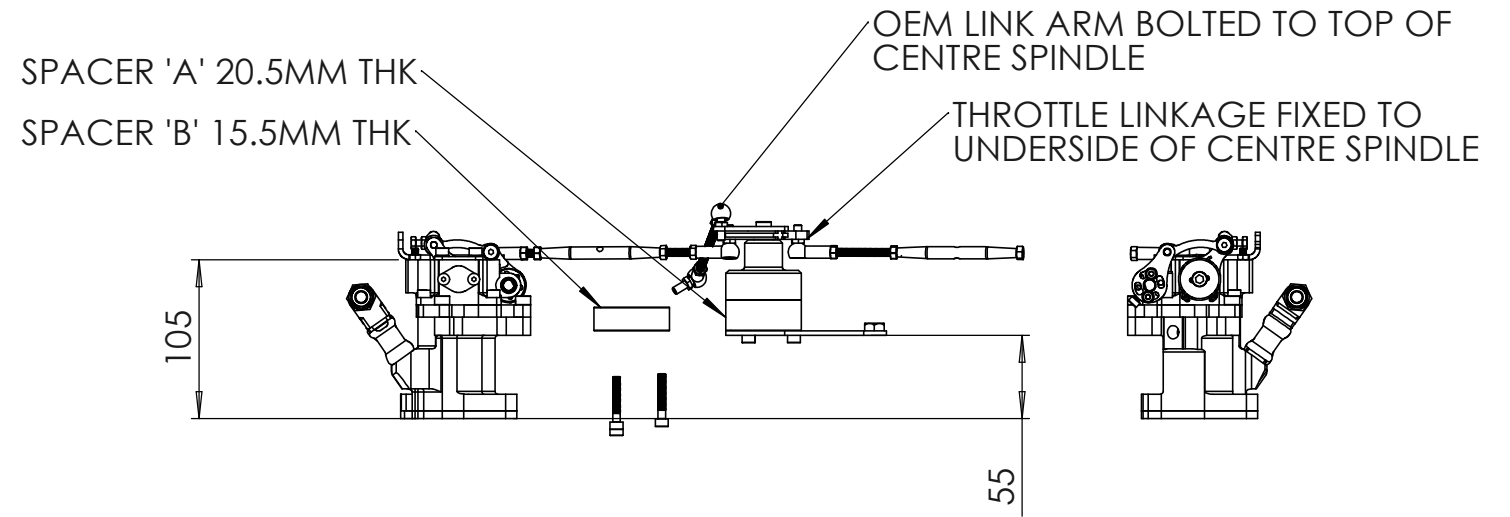



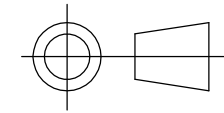
45MM DIAMETER SHAFTLESS THROTTLES TO 42MM DIAMETER AT HEAD FACE



SECTION B-B



LINK ARMS MUST BE PARALLEL IN PLAN VIEW & HORIZONTAL IN END VIEW TO MAINTAIN FLOW BALANCE BETWEEN THROTTLE BANKS
 SPACER 'A' IS FOR THE STANDARD PORSCHE 911 2 BOLT FLANGE GIVING 55MM FROM HEAD FACE TO TOP OF BREATHER COVER MOUNTING FLANGE
 SPACER 'B' IS FOR THE 3.2L CARRERA 2 BOLT FLANGE GIVING 60MM FROM HEAD FACE TO TOP OF BREATHER COVER MOUNTING FLANGE

 COPYRIGHT (c) 2013 AT POWER LTD UNIT 9, CHESTNUT DRIVE, WYMONDHAM, NORFOLK, UK, NR18 9SB	 THIRD ANGLE PROJECTION		MATERIAL SEE COMPONENT PARTS
	SCALE 1:5	WEIGHT 4.6 kg	FINISH SEE COMPONENT PARTS
UNLESS OTHERWISE STATED: DIMENSIONS IN MILLIMETRES TOLERANCES: LINEAR ± 0.1 ANGULAR ± 0.5° SURFACE FINISH √ = √ DRAWING STANDARDS TO ATQS 6003 DATE FORMAT: DD/MM/YY	DRAWN - S.HOW DATE - 20/03/17	DRAWING TITLE ASSY - PORSCHE - 911 - 45MM TO 42MM- 2 HOLE MOUNT	
THIS DESIGN IS THE PROPERTY OF AT POWER THROTTLES LTD AND MUST NOT BE REPRODUCED OR COMMUNICATED WITHOUT AUTHORITY	CHECKED - S.HOW APPROVED - A.CLIFTON	DRAWING NUMBER 102-102-00133	
CAD PLOT DO NOT SCALE	SHEET 2 OF 2 A3		