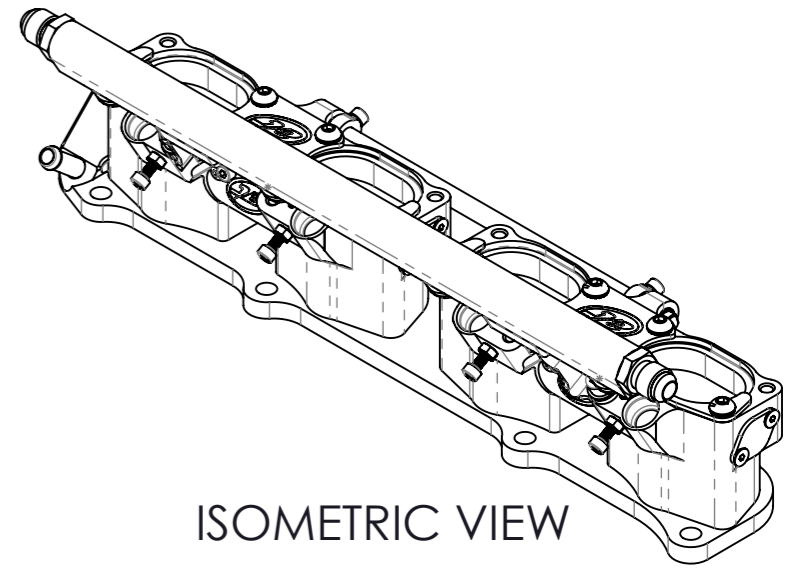
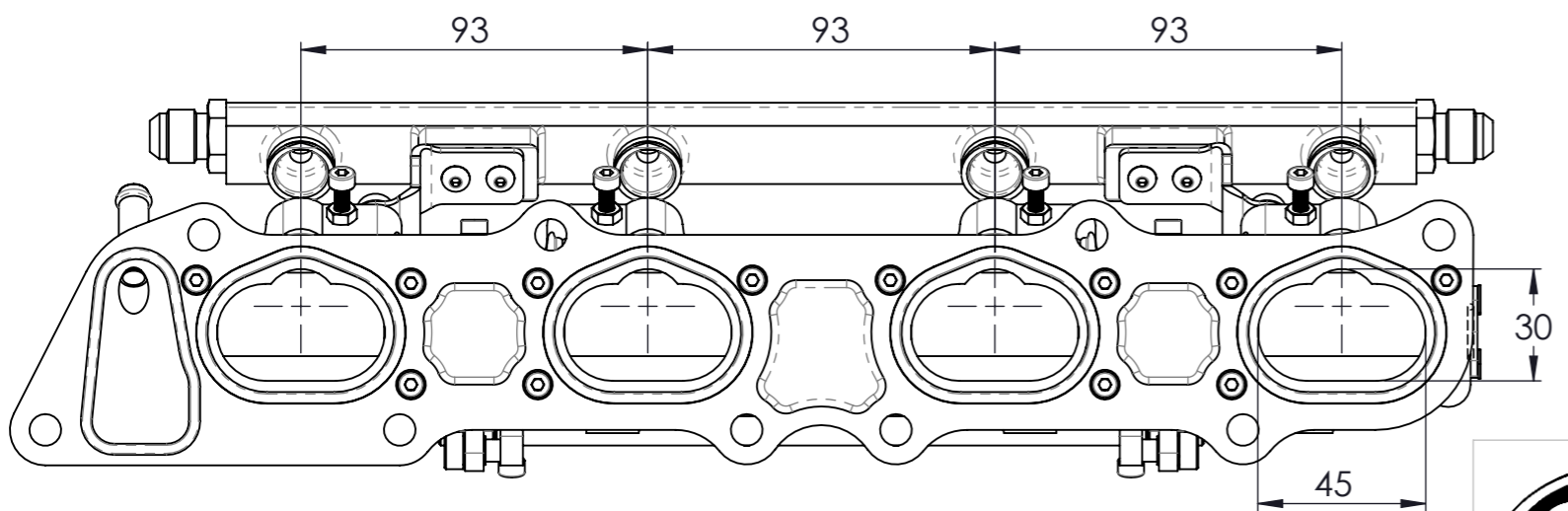
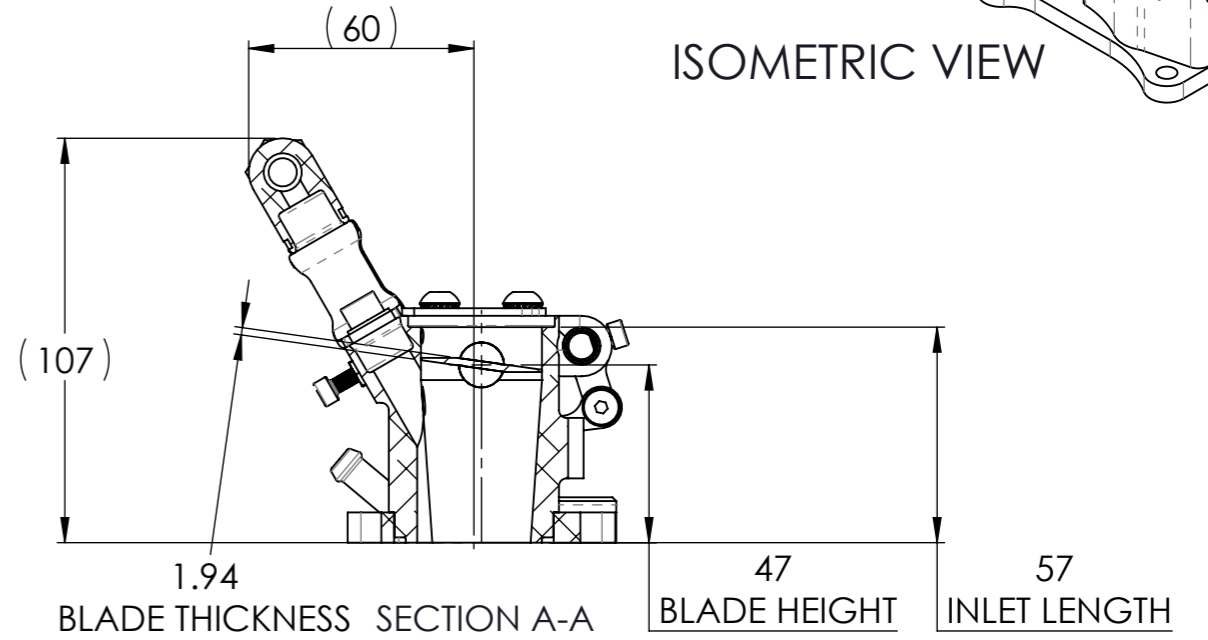
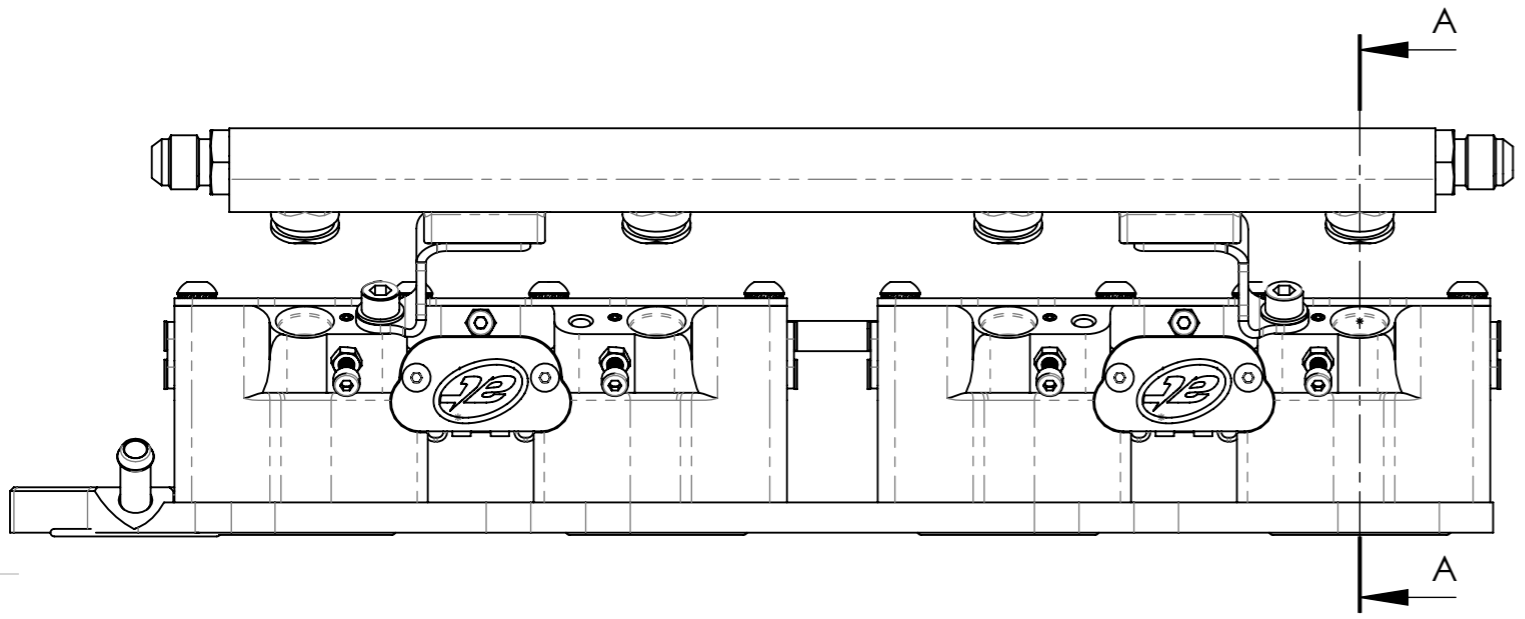


NOTE;

BLADE DIMENSIONS - 48 WIDE x 32 HIGH
 = ϕ 42mm EQUIVALENT OVAL



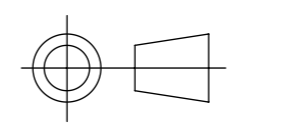
ISOMETRIC VIEW



COPYRIGHT (c) 2013
 AT POWER LTD
 UNIT 9, CHESTNUT DRIVE, WYMONDHAM,
 NORFOLK, UK, NR18 9SB

UNLESS OTHERWISE STATED:
 DIMENSIONS IN MILLIMETRES
 TOLERANCES: LINEAR \pm 0.1 ANGULAR \pm 0.5°
 SURFACE FINISH $\sqrt{\text{ }}$ = $\sqrt{\text{ }}$
 DRAWING STANDARDS TO ATQS 6003
 DATE FORMAT: DD/MM/YY

THIS DESIGN IS THE PROPERTY OF
 ACTIVE TECHNOLOGIES LTD AND
 MUST NOT BE REPRODUCED OR
 COMMUNICATED WITHOUT
 AUTHORITY



THIRD ANGLE PROJECTION

SCALE 1:2 WEIGHT 2.0 kg

DRAWN- M.DAVIS

DATE - 08/08/14

CHECKED - S.HOW

APPROVED - A.CLIFTON

MATERIAL
 SEE COMPONENT PARTS

FINISH
 SEE COMPONENT PARTS

DRAWING TITLE
**ASSY - HOUSING - TWIN
 - VAUXHALL - X20XE**

DRAWING NUMBER
102-104-00003