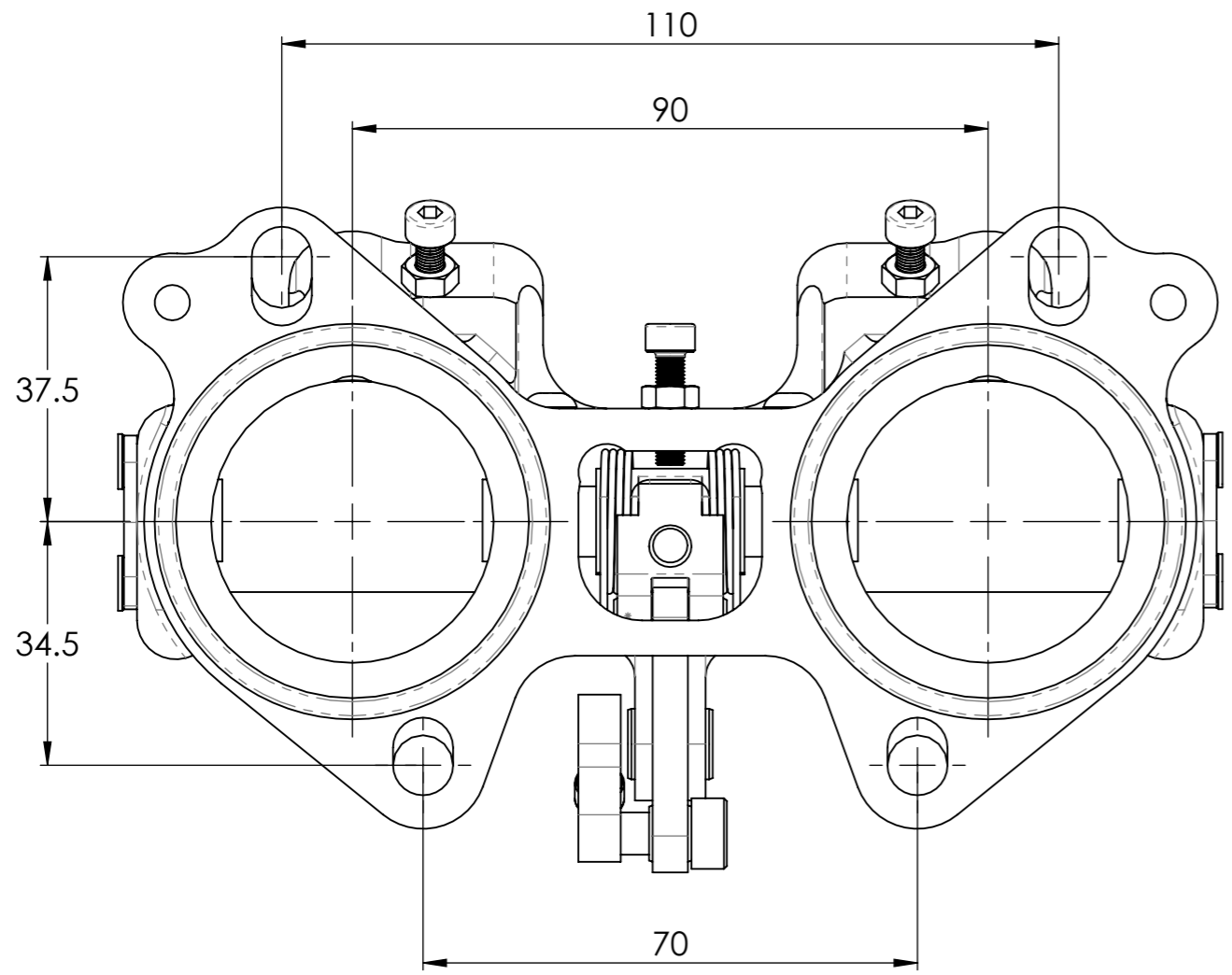
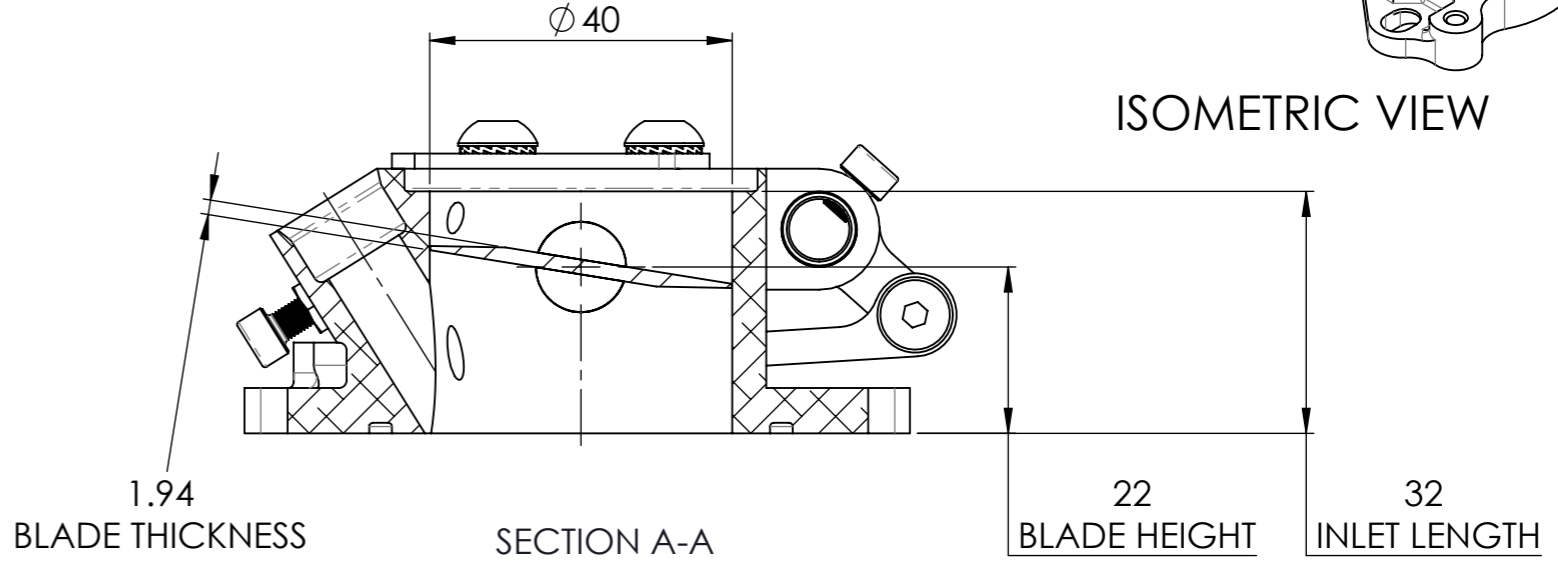
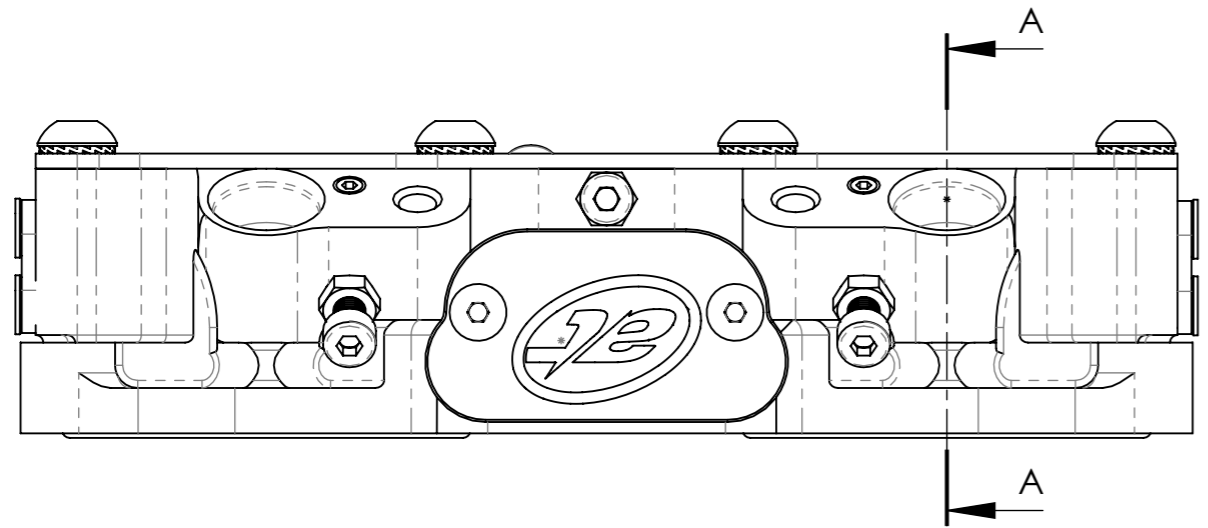


8 7 6 5 4 3 2 1

F
E
D
C
B
A

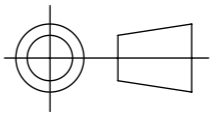


at power

COPYRIGHT (c) 2013
AT POWER LTD
UNIT 9, CHESTNUT DRIVE, WYMONDHAM,
NORFOLK, UK, NR18 9SB

UNLESS OTHERWISE STATED:
DIMENSIONS IN MILLIMETRES
TOLERANCES: LINEAR ± 0.1 ANGULAR ± 0.5°
SURFACE FINISH √ = √
DRAWING STANDARDS TO ATQS 6003
DATE FORMAT: DD/MM/YY

THIS DESIGN IS THE PROPERTY OF
AT POWER THROTTLES LTD AND
MUST NOT BE REPRODUCED OR
COMMUNICATED WITHOUT
AUTHORITY


THIRD ANGLE PROJECTION

SCALE 1:1	WEIGHT 0.5 kg
DRAWN- M.DAVIS	DATE - 26/03/15
CHECKED - S.HOW	APPROVED - A.CLIFTON

CAD PLOT
DO NOT
SCALE

MATERIAL	SEE COMPONENT PARTS
FINISH	SEE COMPONENT PARTS
DRAWING TITLE	ASSY - HOUSING - TWIN - DCOE - 40MM
DRAWING NUMBER	102-104-00006

SHEET 2 OF 2 A3

8 7 6 5 4 3 2 1