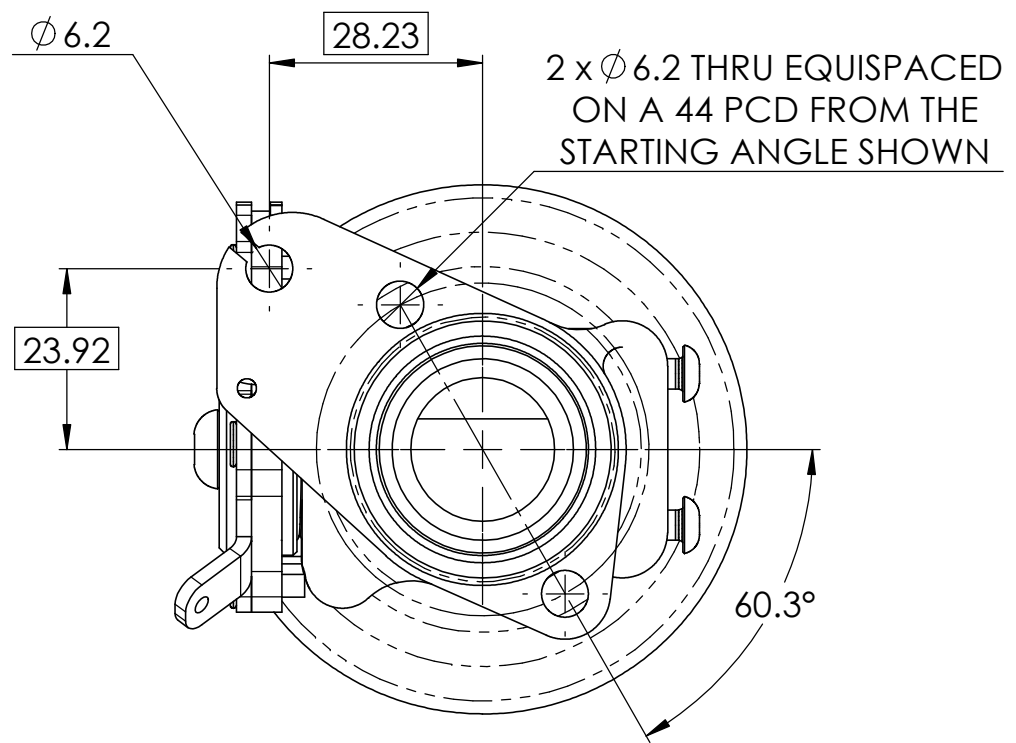


ISOMETRIC VIEW



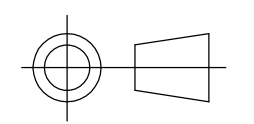
SECTION A-A



COPYRIGHT (c) 2013
 AT POWER LTD
 UNIT 9, CHESTNUT DRIVE, WYMONDHAM,
 NORFOLK, UK, NR18 9SB

UNLESS OTHERWISE STATED:
 DIMENSIONS IN MILLIMETRES
 TOLERANCES: LINEAR ± 0.1 ANGULAR ± 0.5°
 SURFACE FINISH √ = √
 DRAWING STANDARDS TO ATQS 6003
 DATE FORMAT: DD/MM/YY

THIS DESIGN IS THE PROPERTY OF
 ACTIVE TECHNOLOGIES LTD AND
 MUST NOT BE REPRODUCED OR
 COMMUNICATED WITHOUT
 AUTHORITY



THIRD ANGLE PROJECTION

SCALE 1:1 WEIGHT 0.3 kg

DRAWN- M.DAVIS

DATE - 29/10/13

CHECKED - S.HOW

APPROVED - A.CLIFTON

MATERIAL
 SEE COMPONENT PARTS

FINISH
 SEE COMPONENT PARTS

DRAWING TITLE
**ASSY - ATP - FORMULA STUDENT
 - 28MM - 19MM RESTRICTOR**

DRAWING NUMBER
102-102-00011