



## Submittal Data Sheet

Project Name:			Approval:	
Location:			Date:	
Engineer:			Construction:	
Submitted to:			Unit #:	
Submitted by:			Drawing #:	
Reference:				

Code	2T0033000467
Factory model	US1-KFR67GW/BP2N1Y-11M1(T0)-W
Indoor code	220033005030
Indoor unit factory model	US1-KFR67G/BP2N1Y-11M1(T0)-W
Outdoor code	220038003780
Outdoor unit factory model	US1-KFR67W/BP3N1-310(T0)-W
Model	MEH-24AiH2
Indoor	MEH-24AiH2
Outdoor	MCHU-24AVH2



### PERFORMANCE DATA

Power supply	Ph-V-Hz	208-230V~ 60Hz, 1Ph
<b>Cooling</b>		
Capacity	Btu/h	23000
Input	W	1840
Rated current	A	8
EER	Btu/w	12.5
SEER	Btu/w	19
<b>Heating</b>		
Capacity	Btu/h	24000
Input	W	2010
Rated current	A	8.739130435
COP	W/W	3.7
HSPF4		9
HSPF5		/
Low temperature heating capacity (2°C)	Btu/h	20860
Low temperature heating capacity (-7°C)	Btu/h	18170
MINIMUM CIRCUIT AMPACITY	A	15.0
MAX.FUSE	A	25.0
Moisture Removal	L/h	2.5

### Compressor Electrical

Model		DA250S2C-30MT
Type		Twin-rotary
Brand		GMCC
Capacity	Btu/h	26289
Input	W	2120
Rated current(RLA)	A	8.85
Locked rotor Amp(LRA)	A	----
Thermal protector		----
Thermal protector position		----
Refrigerant oil/oil charge	ml	ESTER OIL VG74/820
Connection wiring		16AWG*4
Plug type		/

### INDOOR UNIT DATA

Indoor fan motor		
Model		RPG50B
Brand		Welling
Input		102
RLA	A	0.36
LRA	A	0.66
Winding Resistance	Ω	100.5/64.5
Capacitor	uF	3.5
Speed(Hi/Mi/Lo)	r/min	1250 / 1100 / 900
<b>Air flow &amp; Noise level</b>		
Indoor air flow (Hi/Mi/Lo)	CFM	850/770/620
Indoor noise level (Hi/Mi/Lo)	dB(A)	50/45/40

### Indoor unit

Dimension(W*D*H)	inch	46.69x10.16x13.39
Packing (W*D*H)	inch	49.80x16.53x13.39
Net/Gross weight	lbs.	40.79/50.71

### OUTDOOR UNIT DATA

Outdoor fan motor		
Model		WZDK72-38G
Brand		Panasonic
Input		72(Output)
RLA	A	0.55
LRA	A	/
Winding Resistance	Ω	/
Capacitor	uF	--
Speed	r/min	850
<b>Air flow &amp; Noise level</b>		
Outdoor air flow	CFM	2060
Outdoor noise level	dB(A)	60

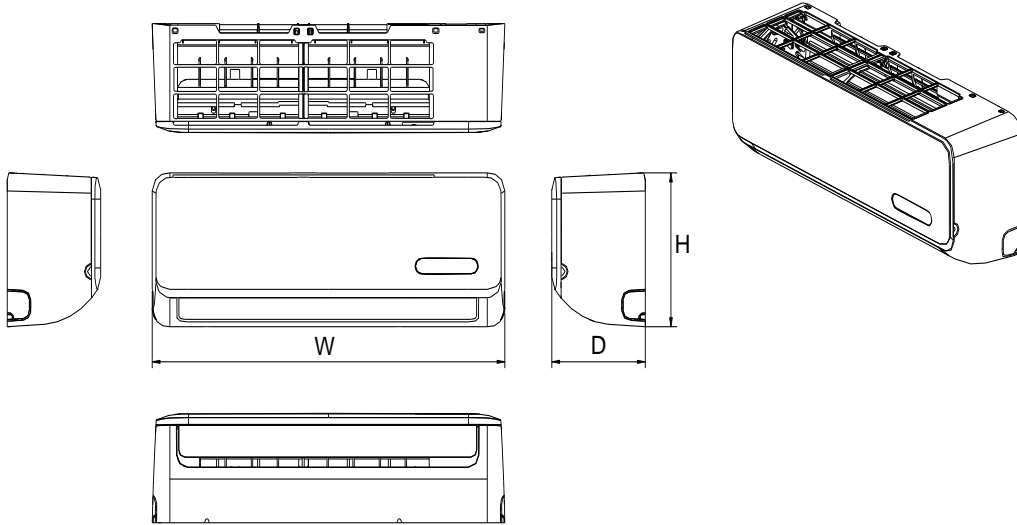
### Outdoor unit

Dimension(W*D*H)	inch	35.43x12.40x33.86
Packing (W*D*H)	inch	41.06x15.55x36.02

Thermostat type		Remote Control
<b>SYSTEM DATA</b>		
Design pressure	MPa	550/340 PSIG
Refrigerant type	oz	R410A/85.7
Refrigerant precharge	ft	25
Additional charge per ft.	oz	0.322
Liquid side/ Gas side	mm(in)	Φ9.52/Φ15.9(3/8"/5/8")
Max. refrigerant pipe length	ft	98
Max. difference in level	ft.	66
Application area	sq.ft	363-605

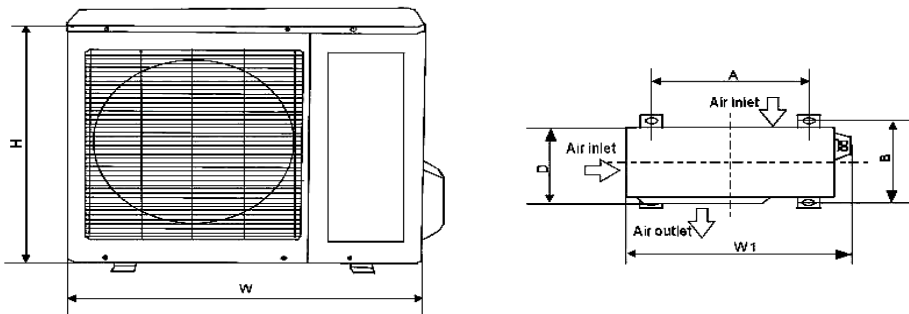
Net/Gross weight	lbs.	130.07/138.89
<b>Operation temperature</b>		
Indoor(cooling/ heating)	Deg. F	62~90/32~86
Outdoor(cooling/heating)	Deg. F	5~122/5~86
Outdoor(cooling/heating)-optional	Deg. F	/

**INDOOR UNIT**



Model	W (inch)	H (inch)	D (inch)
MEH-24AiH2	46.69	10.16	13.39

**OUTDOOR UNIT**



Model	W (inch)	H (inch)	D (inch)	W1 (inch)	A (inch)	B (inch)
MCHU-24AVH2	35.43	12.40	33.86	38.58	23.23	13.11