

AIRVA 24

12V & 24V ROOFTOP AC

12V and 24V rooftop air conditioner with compressor powered by electrical motor and inside ceiling assembly.

12V model:

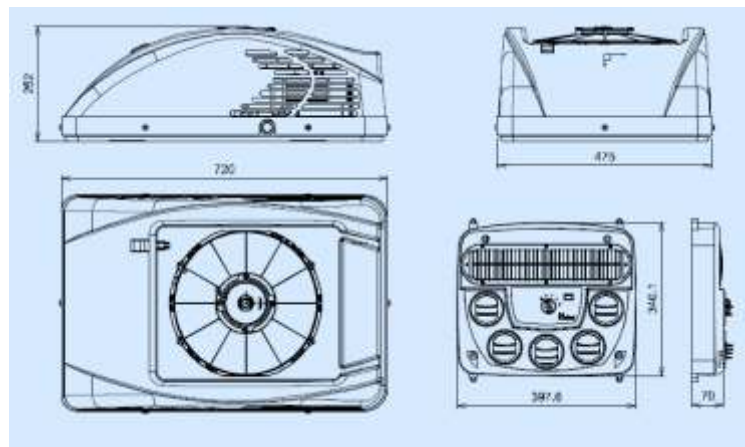
Working temperature up to 43°C

Power consumption at 38°C / 45% humidity = 1035 W

24V model:

Working temperature up to 45°C

Power consumption at 40°C / 45% humidity = 1460 W



Puissance frigorifique / Cooling capacity	3,5 kW
Débit d'air / Air flow	440 m3/h
Vitesses de ventilation / Fan Speeds	3
Poids / Weight	32 kg
Tension / Voltage	12 V ou 24 V