

Coleman®-Mach®

MACH 3 plus™ ROOFTOP AIR CONDITIONER



The world's
over-the-road
best seller.

As the best-selling RV air conditioner in the world, the Mach 3 PLUS™ is also one of the best air conditioning values available. Featuring a large evaporator and condenser coils with raised lance fins to help dissipate heat, the Mach 3 PLUS™ has a solid 3.95 KW (13,500 BTU) cooling capacity and delivers 540 m³ per hour.

You can count on the Mach 3 PLUS™ for reliability. All-copper tubing and gas-flux brazed joints ensure durability and long life for your RV air conditioner.

With the heater assembly, you'll also have 5600 BTUs of heat for cool-weather outings.



IMPORTED AND DISTRIBUTED BY:

AIR CONDITIONERS
AIRVA

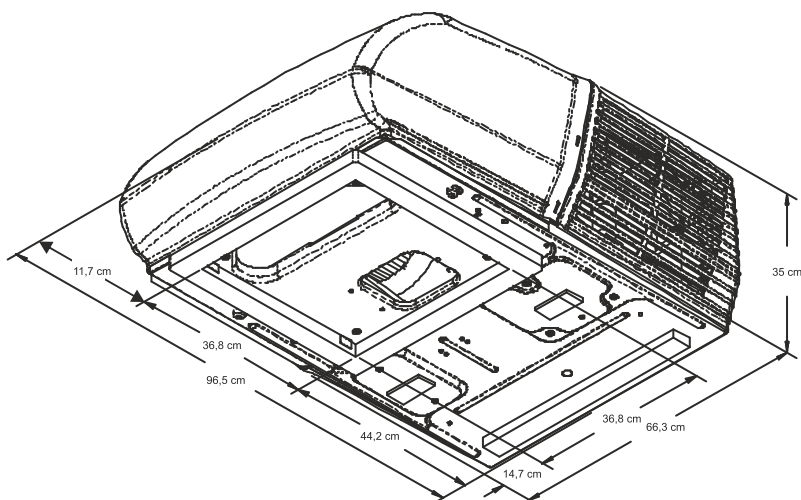
AIRVA
BP 89162
F-95075 Cergy Pontoise cedex
FRANCE

Tel: +33 (0)1 34 64 23 33
Fax: +33 (0)1 34 64 33 66
e-mail: info@airva.eu
www.airva.eu

Coleman®-Mach®

MACH 3 plus™ ROOFTOP AIR CONDITIONER

COOLING CAPACITY	3950 W
HEATING OUTPUT	1600 W
AMPS COOLING	7 A
AMPS HEATING	8 A
WATTS COOLING	1650 W
WATTS HEATING	1795 W
START-UP AMPS	32 A max. / 0,15 s
ELECTRICAL RATING	230v 50Hz 1 Phase
CIRCUIT BREAKER	16A
REFRIGERANT	R407C
VENTILATOR SPEEDS	2
AIR FLOW	540 cbm/h max.
DIMENSIONS (roof unit)	96 x 67 x H 35 cm
DIMENSIONS (ceiling assembly)	56 x 53 x H 5 cm
ROOF OPENING	36 x 36 cm
ROOF THICKNESS	15 cm max.
WEIGHT	38 kg



DIMENSIONS		
Roof Unit	Height	35 cm
	Width	66,3 cm
	Length	96,5 cm
Ceiling Assembly	Height	5 cm
	Width	53 cm
	Length	56 cm

Coleman is a registered trademark of the Coleman Company, Inc. used under licence. Mach is a registered trademark and Mach 3 Plus is a trademark of RV Products, a Division of Airxcel, inc. AIRVA is the authorized distributor of RV Products, Inc. in Europe.

IMPORTED AND DISTRIBUTED BY:



AIRVA
BP 89162
F-95075 Cergy Pontoise cedex
FRANCE

Tel: +33 (0)1 34 64 23 33
Fax: +33 (0)1 34 64 33 66
e-mail: info@airva.eu
www.airva.eu