

RAPIDO DRIVES FOR RAPID DOORS

DESCRIPTION

RAPIDO is made up of:

- A worm gear with hollow shaft
- An integrated safety brake
- An emergency manual operation
- Integrated limit switches
- An electric motor

All models are provided with an electromagnetic brake which stops suddenly the inertia of the motor.

ADDITIONAL DETAILS

EUROPEAN DIRECTIVES

RAPIDO is made in accordance with product standards EN 13241-1 Doors- and EN 12453 Safety for power operated doors.

DUTY RATING

There is a relation between the weight of the door and the number of movements per hour so the motor duty rating varies according to the door weight.

OVERLOAD SAFETY FACTOR

Motor overload safety factor = 4 x the nominal motor amperage because the starting current of the RAPIDO can reach these levels for short periods.

OUTPUT SPEED

The maximum admissible speed depends on the construction and the door type. The admissible closing speed shall be tuned so to let the operating forces comply with the EN 12453.

MANUAL OPERATION

Rapido is supplied with hand crank for manual operation when power cuts off.

RAPIDO

Direct drive motors with integrated safety brake for rapid doors.

LP 50180 TM

LP 40130 TM

LP 60130 TM

LP 6090 TM

LP 7045 TM

LP 9090 TM

LP 12045 TM

LP 12590 TM

LP 25060 TM

Hollow shaft

Ø 30 mm* (Standard)

V Ø 25 mm (Optional)

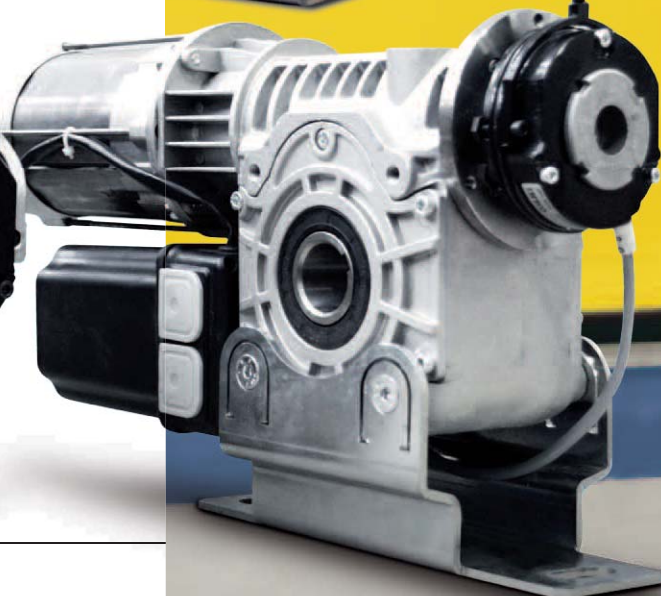
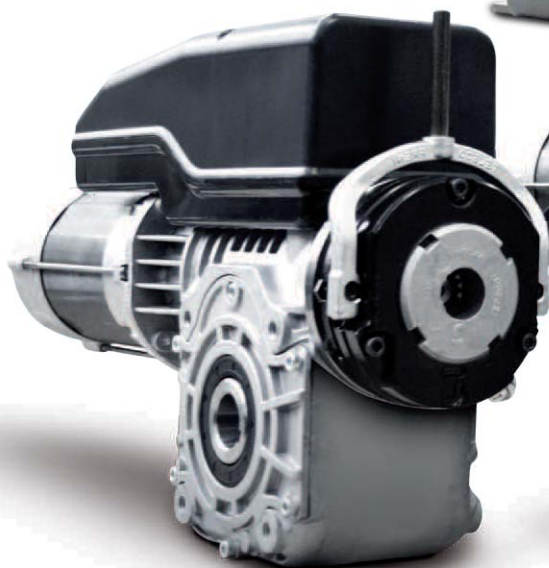
P Ø 25.4 mm (Optional)

*for LP25060 available only 40 mm

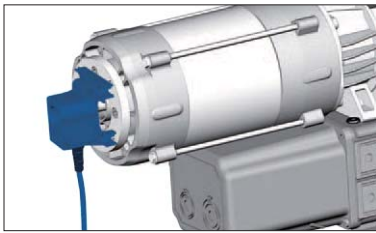
Limit switch types

M Mechanical Limits

E Digital Limits

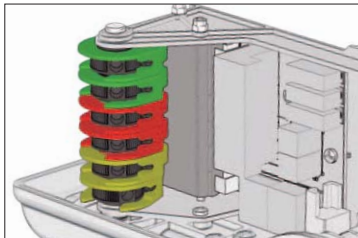


OVERRIDE
OPTION



Hand crank

LIMIT SWITCH
OPTIONS



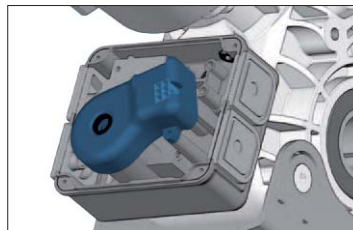
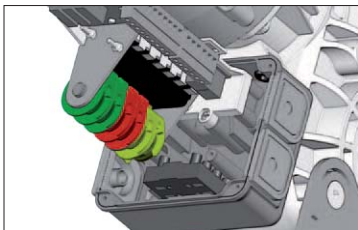
Mechanical limits

- 2 Green cams for operating limits.
- 2 Red cams for safety limits.
- 2 Yellow cams for auxiliary controls



Digital limits

Absolute encoder
No readjustment after power failure
(necessary if a control unit with inverter is used)

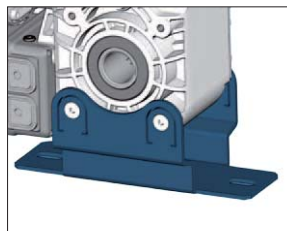


INSTALLATION
TYPE



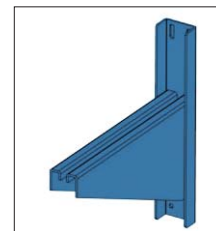
Flange bracket

ANSZXM



Basement

ASOMBP



Bracket

ASOM

TECHNICAL
DETAILS

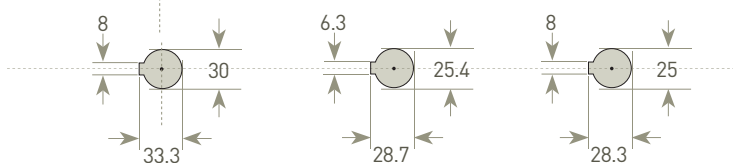
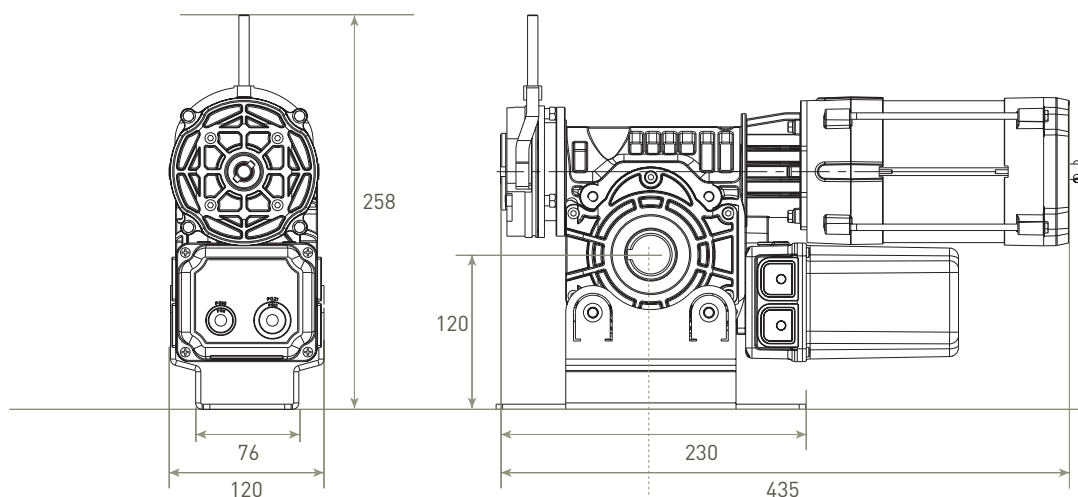
| | LP50180TM | | LP40130TM | | LP60130TM | | LP6090TM | | LP7045TM | |
|-----------------------|------------|-----|------------|------|------------|-----|------------|------|------------|------|
| Torque (Nm) | 50 | | 40 | | 60 | | 60 | | 70 | |
| Output speed (rpm) | 180 | | 130 | | 130 | | 90 | | 45 | |
| Frequency (Hz) | 50 | | 50 | | 50 | | 50 | | 50 | |
| Power supply (3~ Vac) | 400 | 230 | 400 | 230 | 400 | 230 | 400 | 230 | 400 | 230 |
| Power (kW) | 0.65 | 0.8 | 0.9 | 0.96 | 0.65 | 0.8 | 0.95 | 0.96 | 0.95 | 0.96 |
| Absorption (A) | 1.7 | 3.5 | 2.4 | 4.4 | 1.7 | 3.5 | 2.5 | 4.2 | 2.5 | 4.2 |
| Max cycles per hour | 60 | | 60 | | 60 | | 45 | | 30 | |
| Working temperature | -5°C/+40°C | | -5°C/+40°C | | -5°C/+40°C | | -5°C/+40°C | | -5°C/+40°C | |
| Protection rate (IP) | 54 | | 54 | | 54 | | 54 | | 54 | |

| | LP9090TM | | LP12045TM | | LP12590TM | LP25060TM |
|-----------------------|------------|------|------------|-----|------------|------------|
| Torque (Nm) | 90 | | 120 | | 125 | 250 |
| Output speed (rpm) | 90 | | 45 | | 90 | 60 |
| Frequency (Hz) | 50 | | 50 | | 50 | 50 |
| Power supply (3~ Vac) | 400 | 230 | 400 | 230 | 230 | 230 |
| Power (kW) | 0.76 | 0.85 | 0.7 | 1.3 | 1.35 | 1.40 |
| Absorption (A) | 1.9 | 3.6 | 1.8 | 3.4 | 6.2 | 6.4 |
| Max cycles per hour | 45 | | 30 | | 45 | 40 |
| Working temperature | -5°C/+40°C | | -5°C/+40°C | | -5°C/+40°C | -5°C/+40°C |
| Protection rate (IP) | 54 | | 54 | | 54 | 54 |

RAPIDO

DIMENSIONS
(mm)

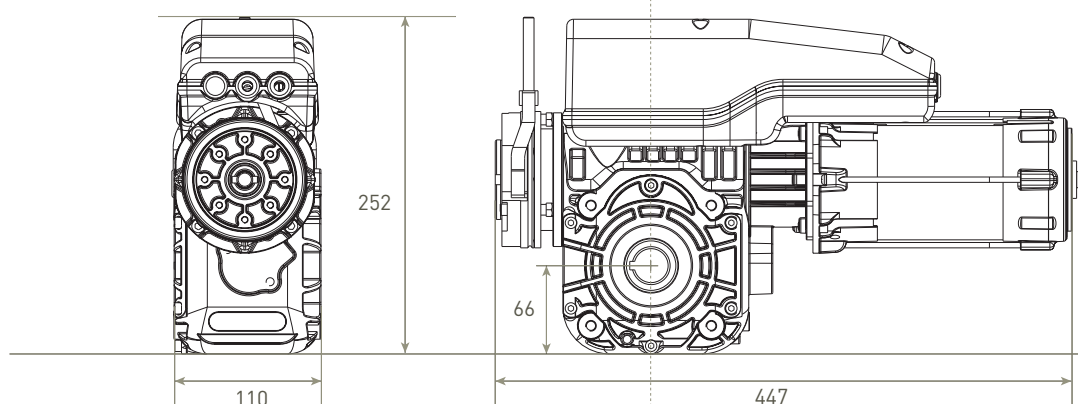
LP9090TM / LP12045TM



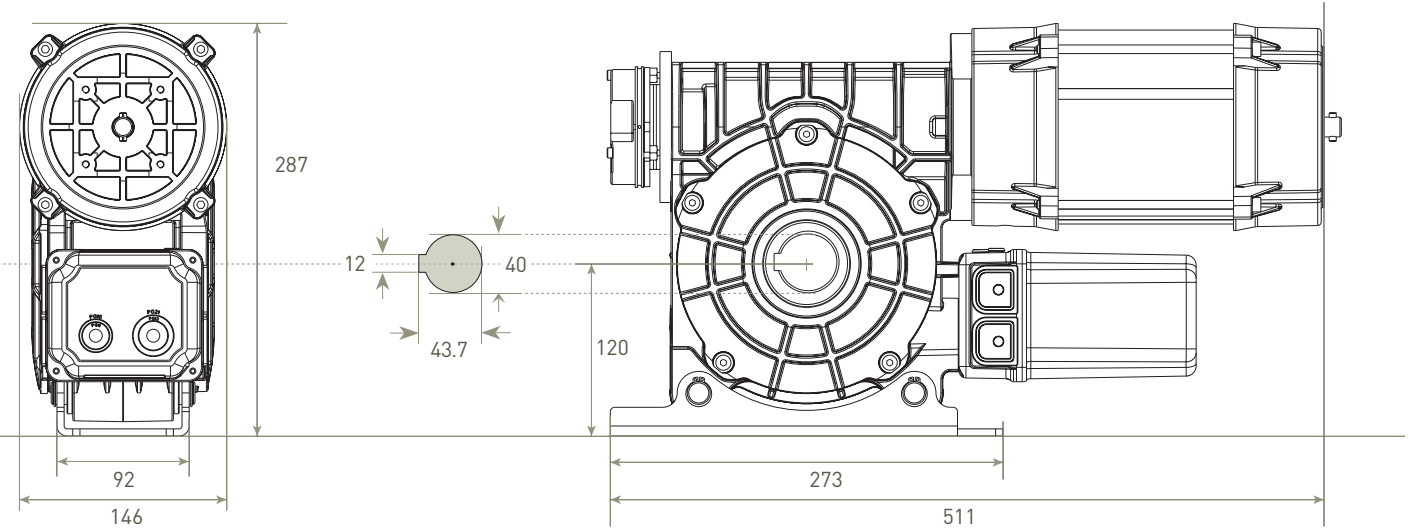
LP50180TM / LP40130TM

LP60130TM / LP6090TM

LP7045TM

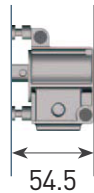


LP12590TM / LP25060TM



|| OVERRIDE OPTIONS

|| Hand crank



|| ACCESSORIES

ACCESSORIES

| | |
|--------|--------------------|
| ASOMBP | Basement |
| ASOMLP | Flanged bracket |
| ASOM | Adjustable bracket |

BRACKET BEARINGS

| | |
|-------|---------|
| ALS3F | Ø 30 mm |
| ALS4 | Ø 40 mm |

SHAFTS

| | |
|---------|---|
| ALM3.SF | Ø 30 mm - motor side - 8x7x100 mm feather key - 30 mm circlip |
| ALP3.SF | Ø 30 mm - bearing side - 8x7x50 mm feather key - 30 mm circlip |
| ALM4.SF | Ø 40 mm - motor side - 12x8x100 mm feather key - 40 mm circlip |
| ALP4.SF | Ø 40 mm - bearing side - 12x8x50 mm feather key - 40 mm circlip |

WASHERS (Further dimensions and diameters are available upon request)

| | |
|-----------|------------------------------------|
| AL3101.SF | for 101,1x3,6 Ø tube - 30 mm shaft |
| AL3133.SF | for 133x4,0 Ø tube - 30 mm shaft |
| AL3159.SF | for 159x4,5 Ø tube - 30 mm shaft |
| AL3168.SF | for 168,3x4,5 Ø tube - 30 mm shaft |
| AL3178.SF | for 177,8x5,0 Ø tube - 30 mm shaft |
| AL3193.SF | for 193,7x5,4 Ø tube - 30 mm shaft |
| AL4133.SF | for 133x4,0 Ø tube - 40 mm shaft |
| AL4159.SF | for 159x4,5 Ø tube - 40 mm shaft |