



OPTIMAL

The new generation of chain mulchers





TPG 730

Trejon – a family business

Trejon is a family business with a long term vision, with a commitment to offer secure and cost-effective high-quality machines.

With over 30 years in manufacturing quality machines for agriculture, forestry, and road maintenance. This is supported by commitment for fast service, technical support, and simplified parts ordering.



A good day. A Trejon day.

Now run by the third generation of Johansson's, from their base in Vännäsby, just outside of Umeå in northern Sweden.

Anna and Henrik Johansson, along with their 60 employees, support a dealer and importer network throughout Scandinavia and worldwide. Optimal machines by Trejon are produced in our own recently modernized factory, on the same site where we manufacture the Trejon Multiforest product line.

Trejon products bearing the Optimal and Multiforest names have become known for their quality at affordable prices, with excellent post-sales support. Trejon has more than 30 years of experience in the development, production, delivery and maintenance of machines that simplify your working day, so you can handle all your tasks successfully. Making every day a good day.

Håkan Johansson in front of one of the first machines coming from our own production in Vännäs during the 1980's.





Mechanical chain mulchers

Sweden's leading chain mulcher – when you want the best on the market

The Trejon Optimal M1650 is built to work under difficult conditions, and has become Sweden's most sold chain mulcher. Because of the rugged design and effective results. Keeping the growth of brush and grass under control along roadsides can be difficult work for any conventional mulcher. Impacts from stones and other obstacles can cause damage to the blades, leading to premature wear and costly repairs.

Unlike its competitors, the M1650 features high-quality Walterscheid drivelines, instead of belts. The PTO shaft to the tractor is equipped with an overrunning clutch for added protection. The shafts are working in combination with over-dimensioned gearboxes that prevent overheating and soften torque peaks.

The Trejon Optimal M1650 is equipped with an integrated hydraulic sideshift, to offset the mulcher upto 128 cm from the tractor centre. Two 13 mm chains are fitted as standard on the M1650. These heavy-duty chains creating a whipping effect, that shreds the brush and grass, making regrowth harder and providing excellent protection against obstacles. For lighter growth conditions, smaller 10 mm chains, which are effective in grass and shrubs. For mowing grass, in conditions where there is minimal risk from stones or obstacles, it is possible to replace the chain hub with a twin blade assembly. This produces a finer result.

The entire cutting head is manufactured from Hardox®, and features replaceable Hardox® wear skids. All parts are shot-blasted and powder coated, providing good protection against corrosion and daily use for many years.



The Trejon Optimal M1650 is equipped with rugged 13mm cutting chains of high quality. These are appropriate for difficult working conditions with i.ex. stones. The chain magazine contains a number of reserve links, so the chain can be repositioned when missing some links. A 10 mm cutting chain is available as optional equipment for light mulching and cutting of gras. For extra-fine mowing the machine can be equipped with the Trejon Opimal knife set (picture on the right).



One of the booms of the integrated sideshifting system is telescopic and connected with the hydraulic lifting system. In case of impact with an obstacle, the mulching head moves backwards and upwards at the same time. After the obstacle is cleared, the head returns to the working position again.

The Trejon Optimal M1650 is equipped with an integrated hydraulic sideshift. The movement pattern is 128cm wide and the mulching head has a pendular movement for proper following of the terrain. Good visibility of the entire machine is possible from the driver's seat.

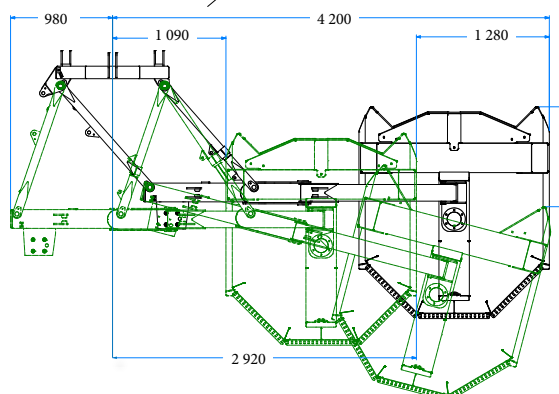
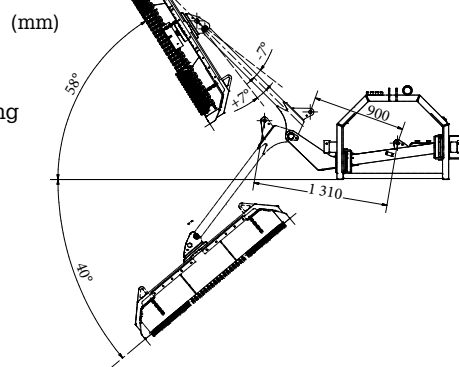
Over-dimensioned gearboxes. The mulching head has a pendulum sideways movement. The entire mulching head is made of Hardox® high-quality steel. Two Hardox® skids are fitted as standard equipment.

| Technical Specifications | |
|---------------------------------|------------------------|
| Model | M1650 |
| Working width | 1 650 mm |
| Offset from Tractor (min./max.) | 2 920-4 200 mm |
| Protection from impact | Hydraulic |
| Recommended tractor weight | < 4 ton |
| Wear parts | Hardox® 500 |
| Cutting chains | 13 mm (10 mm optional) |
| Weight | 780 kg |
| PTO | 540 rpm |

Machine is delivered as standard with a Walterscheid cardan shaft for use between the tractor and the mulcher.

| Accessories | |
|-------------|--|
| 46505 | Cutting chain 10 mm, 50 links, the machine needs two chains. For light material such as grass and light brush. |
| 46504 | Additional chain 13 mm, 25 links, the machine needs two chains. For brushwood. |
| 46825 | Knife set for cutting grass in areas free of stones. |
| 6-351 | Hydraulic top link. |
| 345052 | Replacement Hardox® skid shoe kit, including hardware, the machine needs two skid shoes. |

Machine Dimensions. Visit trejon.se to view product videos showing the mulcher in operation.





Hydraulic chain mulching heads

Powerful Chain Mulching Heads – for Work in Hard to Access Terrains

Trejon Optimal hydraulic mulching heads are available in two sizes and are suitable for the work in hard to access terrains, the perfect choice for forestry professionals, road and network maintenance contractors. These powerful heads can be fitted for use with log cranes and excavators, and provide the same work quality against brush and small trees as with the tractor driven versions. Hardox® is used in critical areas, and the head features a sloped design that allows the material to fall to the ground after cutting. A reliable SUNFAB hydraulic motor is used to drive the strong chain hub, which is equipped with twin 13mm chains. Additional chain links can be stored inside the hub, and the chain can simply be extended as it wears. Trejon Optimal heads are designed for long hours of operation at high pressure, and are known throughout Scandinavia for their quality and reliability.

H Models (Pivoting Attachment):

Are designed for operation in situations where the carrier vehicle (excavator or crane) is moving forward. The H models are suited for applications such as mowing roadsides, and feature an open front, with a chain curtain at the rear. They have added safety for operation alongside busy roads, and other areas where added protection from material discharge is needed. The Pivoting attachment is perfect for following the terrain.

HF Models (Fixed Attachment):

Are designed with an open front and rear, which makes them ideally suited for operation on rough terrain. These versions can function as a “slasher” for use under electrical lines and wide open areas where the terrain is rough. Like the H models, the HF versions are available in either 1,25 and 1,60 meter working widths. All versions (H and HF) also employ 13mm cutting chains as standard.



The Trejon Optimal hydraulic chain mulching heads are suitable for the work under hard conditions in hard to access terrain. For example, two types of use are for the mulching of slopes and under electric power lines.

This model is fitted with a fixed attachment, and is open at the front and at the rear of the head which simplifies “sweep” working movements.



The sidewalls of our mulching heads have a sloped design. The material will fall easier to the ground while mulching. All models are equipped with a hydraulic hub motor, these motors are designed for hours of continuous operation at high-pressure. This model is fitted with a pivoting attachment, is open on the front side of the head, and has a chain curtain on the rear side. This increases safety when mulching and during forward movements.



Model H with pivoting attachment. The mulching head is partly made of Hardox® steel and the sidewalls have Hardox® inserts. Available with additional Hardox® skids for an extended operating life and minimized wear on the machine.



The M160H3P model with hydraulic drive. In this picture equipped is with a boom and 3pt attachment. Can also be ordered with a Volvo-BM connection.

Technical Specifications

| Model | M125H | M160H | M125HF | M160HF | M160H3P | M160HSB |
|---------------------------|--------------------|--------------------|--------------------|--------------------|--------------------|--------------------|
| Working width | 1 250 mm | 1 600 mm | 1 250 mm | 1 600 mm | 1 600 mm | 1 600 mm |
| Height (incl. hyd. motor) | 807 mm | 807 mm | 807 mm | 807 mm | 807 mm | 807 mm |
| Wear parts | Hardox® 500 | Hardox® 500 | Hardox® 500 | Hardox® 500 | Hardox® 500 | Hardox® 500 |
| Cutting chain | 10 and 13 mm | 10 and 13 mm | 10 and 13 mm | 10 and 13 mm | 10 and 13 mm | 10 and 13 mm |
| Weight (attachment excl.) | 340 kg | 390 kg | 340 kg | 390 kg | 500 kg | 500 kg |
| Hydraulic drive | Axial piston motor | Axial piston motor | Axial piston motor | Axial piston motor | Axial piston motor | Axial piston motor |
| Min. Required Oil Flow | 120 l/min | 150 l/min | 120 l/min | 150 l/min | 150 l/min | 150 l/min |
| Min. oil pressure | 180 bar | 180 bar | 180 bar | 180 bar | 180 bar | 180 bar |
| Attachment plate | Pivoting | Pivoting | Fixed | Fixed | 3-Point | Volvo-BM |

Accessories

| | |
|---------|---|
| 320157 | Head attachment, S40 welding device. |
| 320158 | Head attachment, S45 welding device. |
| 320159 | Head attachment, S50 welding device. |
| 320377 | Head attachment, S60 welding device. |
| 345052 | Skid Hardox®, incl. hardware. Fits all chain mulchers M125 / M160. The machine needs 4 skids. |
| 12177-1 | Intercooler for cooling the oil during high pressure use. |

The machine is supplied without attachment and hydraulic hoses. Contact Trejon for proper adaptation to your machine - set the pressure / flow rate when ordering.



TREJON

A good day. A Trejon day.

You don't just buy our machines, you also buy our knowledge. We have over 30 years of experience in choosing, manufacturing, delivering and maintaining machines that have been designed to make your everyday easier.

We always put the customer at the centre. Our machines are built to last and together with our fast service, we make our customers' everyday life easier.

We know exactly what your work day needs for it to be as simple and successful as possible – so that every day will be a Trejon day.



© Trejon. 12-16. We reserve the right to make changes to technical specifications, product range, design etc. The product pictures may include additional equipment.

TREJON FÖRSÄLJNINGS AB

Företagsvägen 9
911 35 Vännäsby
SWEDEN
+46 (0) 935 399 00
info@trejon.se

▲ trejon.se



A good day.
A Trejon day.