



**ZANOTTI Spa**  
 Via M.L. King, 30  
 46020 - Pegognaga (MN) - ITALY  
 Tel. +39 0376 5551  
 Fax +39 0376 536554  
 info@zanotti.com

# Technical specifications

Version 1.1.14

Model:

**MGM32002F**

Class:

**Uniblock GM**

## Technical data

Characteristics	M.U.	Value
Working temperature	°C	+10 ÷ -5
Starting mode		Direct
Voltage	Volt-Ph-Hz	400/3N~/50
Rated input	kW*	2,2
Rated input	Amp	4,9
Peak current	Amp	26
Max current	Amp	8,6
Refrigerant		R404A
Defrost		Hot gas
Mass	Kg	100

## Compressor

Type		Hermetic
Nominal power	kW	1,5

## Condenser

Air flow	m³/h	1500
----------	------	------

## Evaporator

Air flow	m³/h	1800
Air throw	m**	10



## Power data

Tc °C	Ta °C	P watt	P Kcal/h	V100 m³	V80 m³	V60 m³
	20	5746	4942	77	70	64
	25	5410	4653	72	66	60
10	30	5075	4364	66	60	55
	35	4741	4077	61	56	51
	40	4406	3789	56	51	46
	45	4070	3500	50	46	42
	20	5064	4355	66	60	55
	25	4760	4094	61	56	51
5	30	4455	3831	56	51	46
	35	4149	3568	52	47	43
	40	3843	3305	47	43	39
	45	3535	3040	42	38	35
	20	4459	3835	56	51	46
	25	4191	3604	52	47	43
0	30	3922	3373	48	44	40
	35	3652	3141	44	40	37
	40	3381	2908	40	36	33
	45	3111	2675	35	32	29
	20	3840	3302	47	43	39
	25	3598	3094	43	39	36
-5	30	3354	2884	39	35	32
	35	3110	2675	35	32	29
	40	2865	2464	32	29	27
	45	2621	2254	28	25	23

## Calculation of the refrigerating power and volume

Ta  
 °C

Tc  
 °C

PF  
 Watt

Kcal/h

V100  
 m³

V80  
 m³

V60  
 m³

\* When normally running

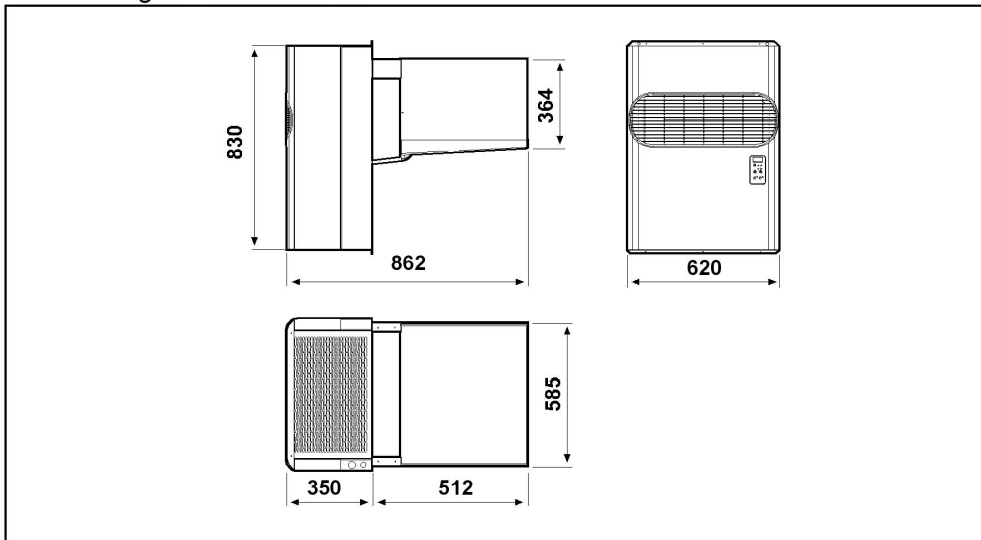
\*\* Use air throw as a base. Air throw is affected by many factors such as height of room, product storage, location of evaporator, etc.

Tc: Coldroom temp. - Ta: External temp.

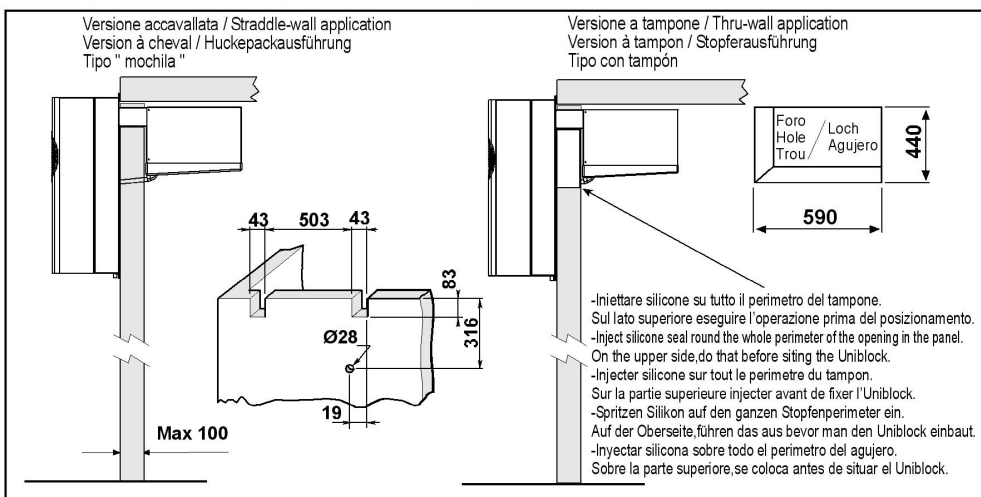
P: Refrigerant capacity - V: Recommended cold-room volume

Dimensioni - Dimensions - Dimensions  
Abmessungen - Dimensiones

**GM3**

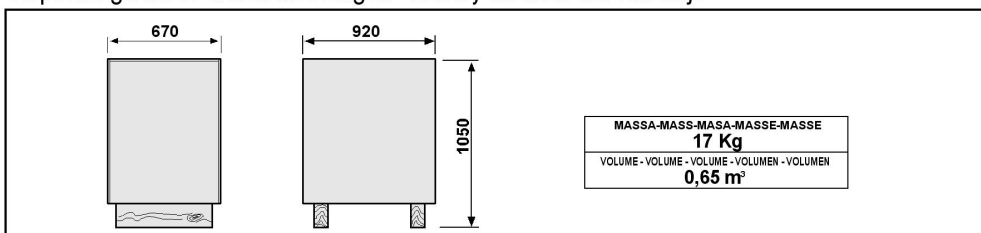


Schema di montaggio - Mounting scheme - Schema de montage  
Montageschema - Esquema de montaje



- \* Raccomandazioni in sede di installazione e per il controllo fornite sul manuale di installazione
- \* To be advised at time of order for factory installation and operating instructions
- \* Recommendations au moments d'installations et pour le contrôle fournis sur le manuel d'installation
- \* Empfehlungen für die Installationsphase und zur Kontrolle, die im Handbuch zur Installation enthalten sind
- \* Por cuanto respecta a recomendaciones de instalación y control ver manual de instalación

Massa e misure imballi - Packing mass and dimensions - Masse et dimensions emballages  
Verpackungsmasse und-abmessungen - Masa y medidas del embalaje



**ZANOTTI S.p.A.**