

# SmartView Versa

## User Manual



Humanware™

## Table of contents

Overview.....	1
What's in the box?.....	2
Getting to know your SmartView Versa.....	3
Getting started.....	5
Inserting the battery.....	5
Charging the battery.....	6
Install neck cord.....	7
Using your SmartView Versa.....	9
Turn power on/off.....	9
Adjust Magnification.....	9
Change display modes.....	10
Freeze.....	12
Turn on/off LED lighting.....	13
Writing Stand.....	13
Foldout handle .....	14
Connecting to a TV.....	15
Troubleshooting.....	16
Appendix A: Safety.....	18
Appendix B: Technical information.....	19
Manufacturer warranty.....	20

## Overview

SmartView Versa is a lightweight handheld electronic magnifier with a large 4.3" widescreen LCD display. It provides magnification from 5x-15x, five viewing modes, as well as the ability to freeze an image. The SmartView Versa may also be connected to a TV for increased magnification.

## What's in the box?

The SmartView Versa package contains the following:



**SmartView Versa  
electronic magnifier**



**Detachable  
neck cord**



**User manual**



**Video cable**



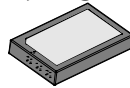
**Protective  
carrying case**



**AC power  
adapter**



**Writing Stand**

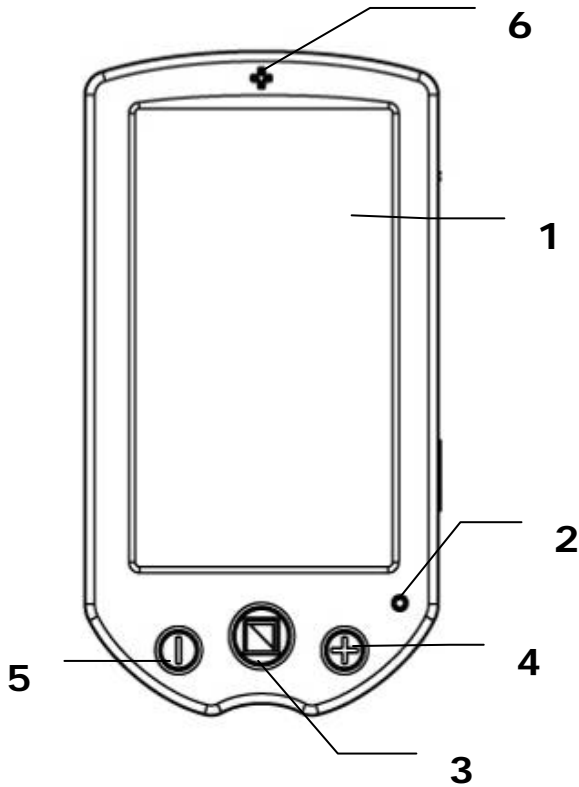


**Rechargeable  
lithium  
battery**

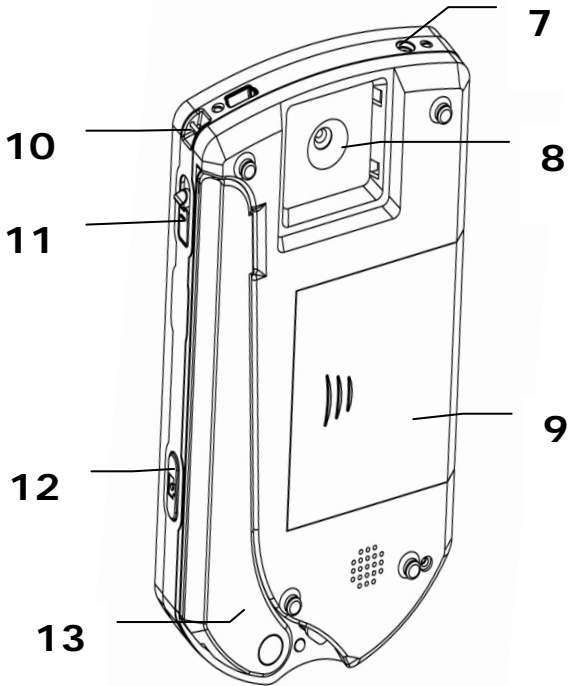
If any items are missing from your package, please contact HumanWare.

---

## Getting to know your SmartView Versa



1. 4.3" widescreen display
2. Charging indicator light
3. Mode button
4. Zoom in button
5. Zoom out button
6. Crosshair

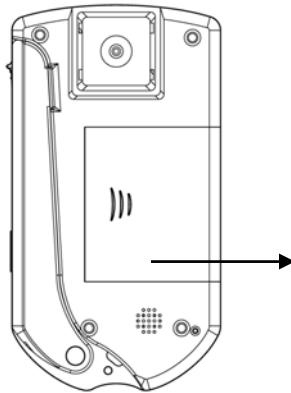


- 7. Power jack
- 8. Camera
- 9. Battery slot
- 10. Cord slot
- 11. Power switch
- 12. Freeze button
- 13. Foldout handle

---

## Getting started

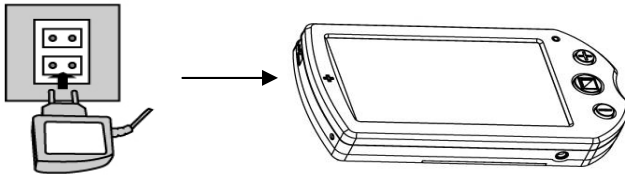
### Inserting the battery




Insert the battery as follows:

1. Turn the unit so that the back is facing up
2. Press and slide open the battery cover
3. Insert the battery
4. Replace the cover and slide it back into the closed position

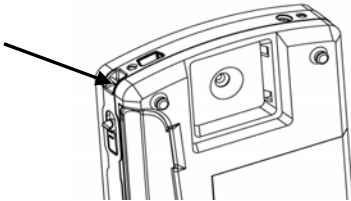
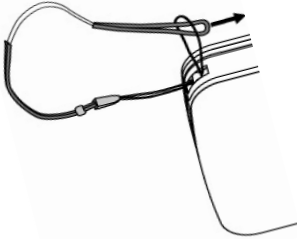
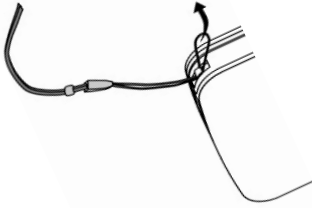
## Charging the battery



- The battery should be charged prior to using the Versa for the first time.
- Connect the adapter supplied with the unit to the power jack and plug the adapter into an AC outlet. The power LED indicator on the topside will turn red while charging.
- When the battery is fully charged, the LED indicator will turn off.
- During operation, if the battery indicator  on the screen has no bars and flashes, the battery is low, and you need to recharge it.
- Charging the battery takes 3.5 hours, and a fully charged battery will last for approximately 3 hours.



## Install neck cord

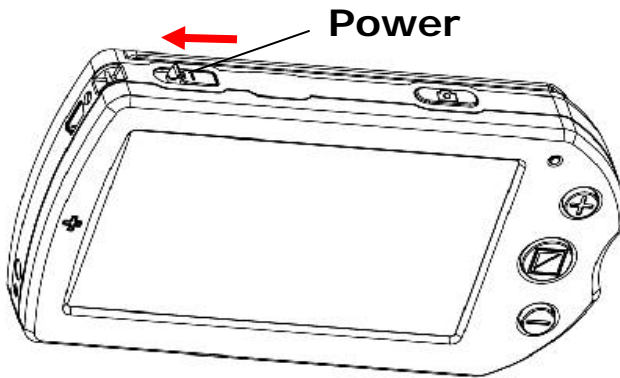


- Insert the small loop on the end of the cord under the pin in the cord slot as shown.
- Pull the other end of the strap through the loop and tighten.

---

## Using your SmartView Versa

### 1. Turn power on/off

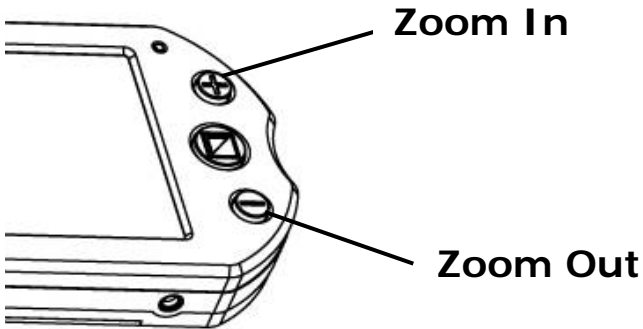


- To turn on the Versa, slide the power switch to the left as shown in the diagram
- Slide the switch again to turn off the unit.
- The unit will turn off automatically after 3 minutes of inactivity.

### 2. Adjust Magnification

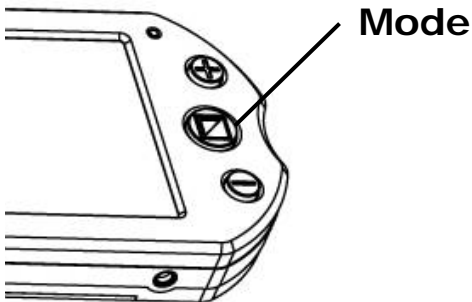
- Press the "+" button to zoom in, and press the "-" button to zoom out.
- SmartView Versa allows you to select up

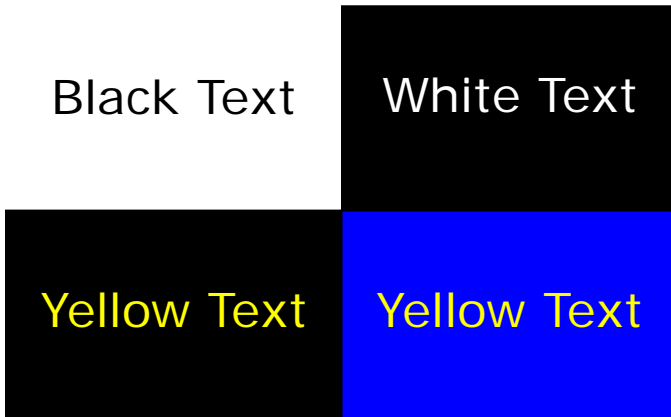
to 6 magnification levels.



- Lifting the unit off the material will decrease the size of viewed material.

### 3. Change display mode



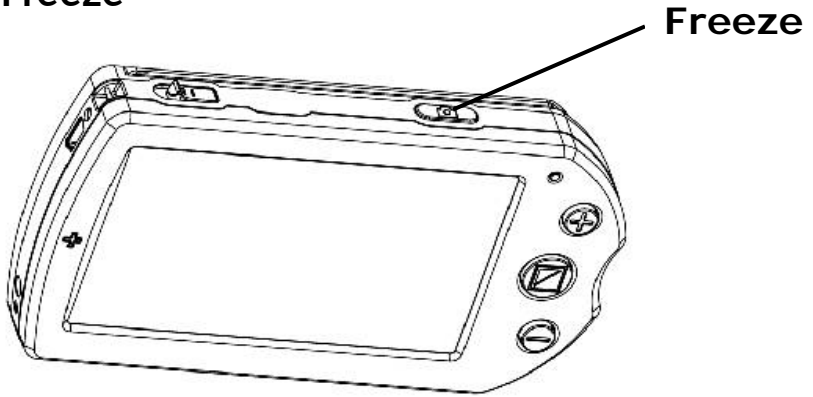


Press the Mode button to cycle through the viewing modes.

- full color
- high contrast white text on black background
- high contrast black text on white background
- high contrast yellow text on blue background
- high contrast yellow text on black background

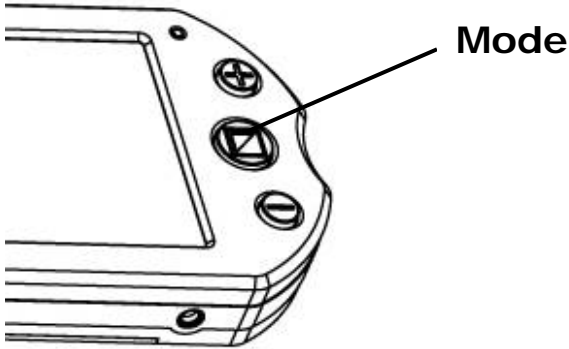
**Note:** Only 4 magnification levels are supported in yellow/blue and yellow/black modes.

## 4. Freeze



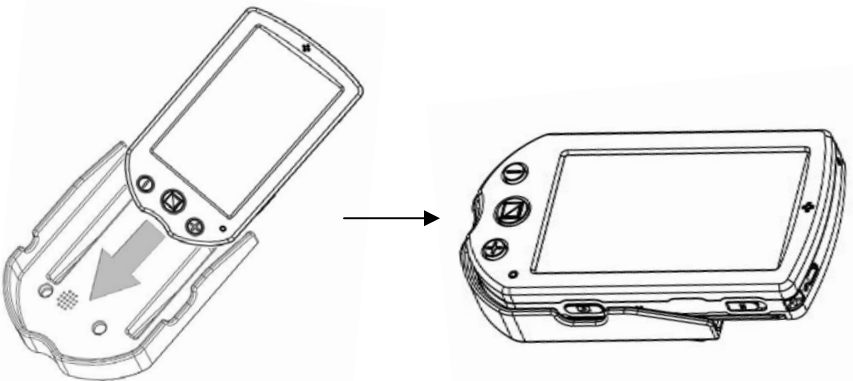
- Press the Freeze button to freeze the image on the screen.
- Press the Freeze button again to release screen.

## 5. Turn off/on LED lighting



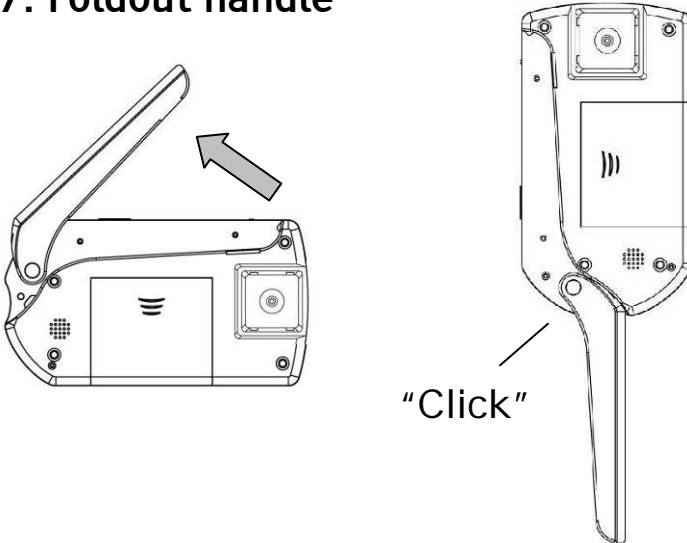
- Press the Mode button for 2 seconds to turn off/on LED lighting. This will reduce glare on glossy material or reflective surfaces such as a computer screen.

## 6. Writing Stand



- Put the unit on the writing stand.
- The camera end of the Versa will be raised off the table so that you may write underneath.

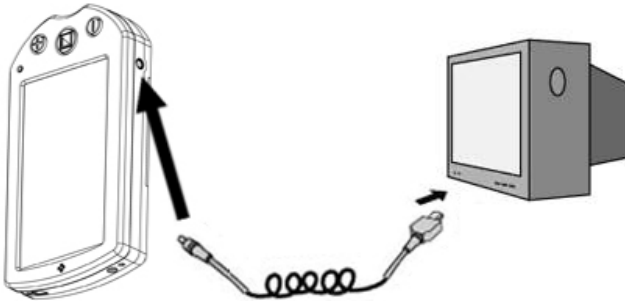
## 7. Foldout handle



- Open the handle as shown until you feel a click.



## 8. Connecting to a TV



- Plug one end of the AV cable into the Versa and plug the yellow RCA jack into your TV video input.
- The LCD will turn off automatically.
- To select the appropriate TV standard, press and hold the Freeze button for 2 seconds.
- Use "+" / "-" to choose PAL or NTSC, then press the mode button to confirm your selection. The image will switch to the TV.
- After unplugging the AV cable, the unit will automatically turn off and will return to normal operation the next time the unit is turned on.

---

## Troubleshooting

Problem	Solution
The screen is blank.	<ul style="list-style-type: none"><li>● Ensure that the power is on.</li><li>● Charge the battery.</li><li>● Reduce the magnification level.</li><li>● Ensure the image is below the crosshair.</li></ul>
The unit will not turn on.	<ul style="list-style-type: none"><li>● Charge the battery.</li></ul>
The image on the screen is dark or distorted.	<ul style="list-style-type: none"><li>● Ensure the SmartView Versa is flat on the page.</li></ul>
Power adapter is connected but the battery is not charging.	<ul style="list-style-type: none"><li>● Ensure the outlet has power and the plug is fully inserted in the power jack.</li></ul>
Smudges or blemishes on the screen.	<ul style="list-style-type: none"><li>● Clean camera and screen with soft cloth.</li></ul>
Text is too small to read.	<ul style="list-style-type: none"><li>● Change the magnification up to suitable level.</li></ul>

	<ul style="list-style-type: none"><li>● Connect to a TV with the supplied cable.</li></ul>
Text is too large to read.	<ul style="list-style-type: none"><li>● Change the magnification down to suitable level.</li><li>● Lifting the unit to decrease the image size.</li></ul>
The unit is connected to a TV, but no image appears on the TV screen.	<ul style="list-style-type: none"><li>● Ensure the TV is on.</li><li>● Verify that the AV cable is fully inserted into the Versa AV jack and that the yellow RCA plug is connected to the TV.</li></ul>
The screen is freezing or distorted or other problem which is not mentioned in this manual.	<ul style="list-style-type: none"><li>● Restart the unit.</li><li>● Remove and replace battery.</li></ul>

If your problem is not listed above, please contact HumanWare or your distributor.

## Appendix A: Safety

To keep your SmartView Versa in proper working order, please read the following carefully.

- Do not expose your SmartView Versa to excessive heat or direct sunlight to avoid the risk of fire.
- Keep your SmartView Versa away from wet areas, rain, fluids and chemicals.
- Do not use your SmartView Versa near inadequately shielded medical devices.
- Always use your SmartView Versa in an environment where the temperature is between 10°C and 40°C (50 and 104F)
- Do not attempt to repair your SmartView Versa or open its case. This will void the warranty. Contact HumanWare to service this equipment.
- Always unplug your unit before cleaning. Use only a damp, soft, lint-free cloth. Do not use alcohol solvents or other cleaning

agents.

- Use only the supplied power adapter to charge the battery as other adapters may damage the unit.

## Appendix B: Technical information

Magnification 5x-15x

Viewing modes Full color mode

High contrast black on white

High contrast white on black

High contrast yellow on blue

High contrast yellow on black

Focus Auto-focus from 0-10cm

Screen 4.3" (109mm) widescreen TFT

Battery 3 hours continuous use

Charge time 3.5 hours

Weight 200 grams (7oz)

Operation and storage conditions:

Humidity: <70%

Temperature: 10-40°C

## **Manufacturer Warranty**

**This device is a high quality product, built and packaged with care. All units and components are guaranteed against any operational defects as follows:**

**US and Canada: one (1) year**

**Europe: two (2) years**

**Australia: one (1) year**

**Other countries: one (1) year**

**Warranty covers parts and labor. If any defect should occur, please contact your local distributor or the manufacturer.**

**Note: Warranty terms may periodically change, please consult our website for the latest information.**

### **Conditions and Limitations:**

**No replacement or repair covered by the warranty will be carried out unless the unit is accompanied by a copy of the original bill of purchase. Please retain your original. If the unit has to be returned,**

please use the original packaging. This warranty applies to all cases where the damage is not a result of improper use, mistreatment, negligence or acts of God.

Please contact HumanWare or check on our website for versions of this manual in other languages.

Une version française du manuel est disponible sur le site Web de HumanWare.

**Contact:**

**For customer support please contact  
the HumanWare Office nearest you.**

**Australia/Asia**

**+61 2 9686 2600**

**Canada**

**1 888 723-7273 or +1 450 463 1717**

**UK/Europe**

**+44 1933 415 800**

**USA**

**1 800 722-3393 or 925 680-7100**

**[www.humanware.com](http://www.humanware.com)**

**Humanware™**