

**LUST
RUM**

LIBRUM

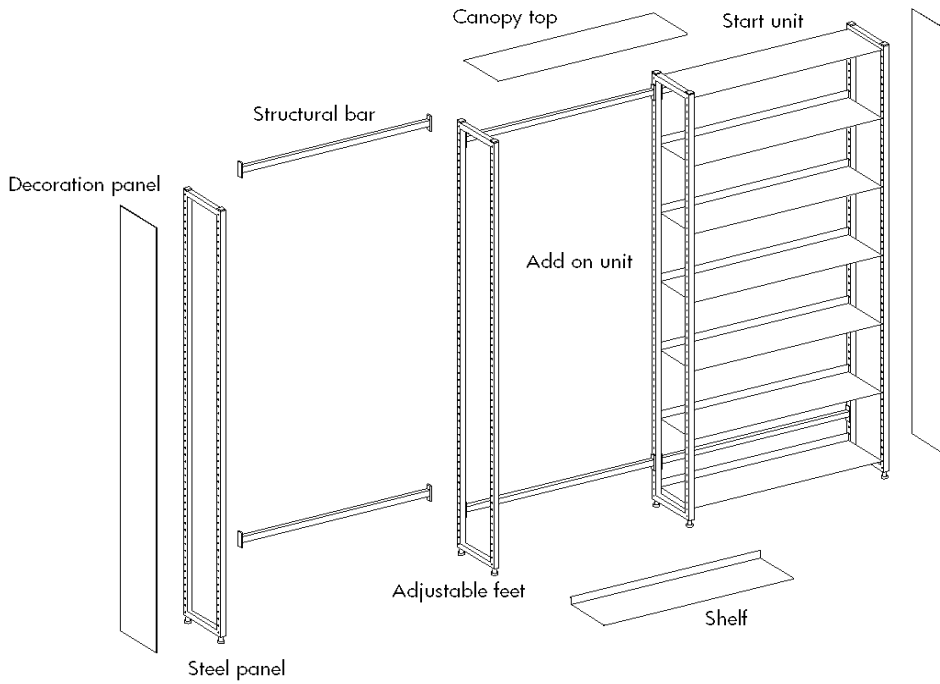


LIBRUM – det flexibla hyllsystemet för bibliotek/the flexible shelssystem for libraries

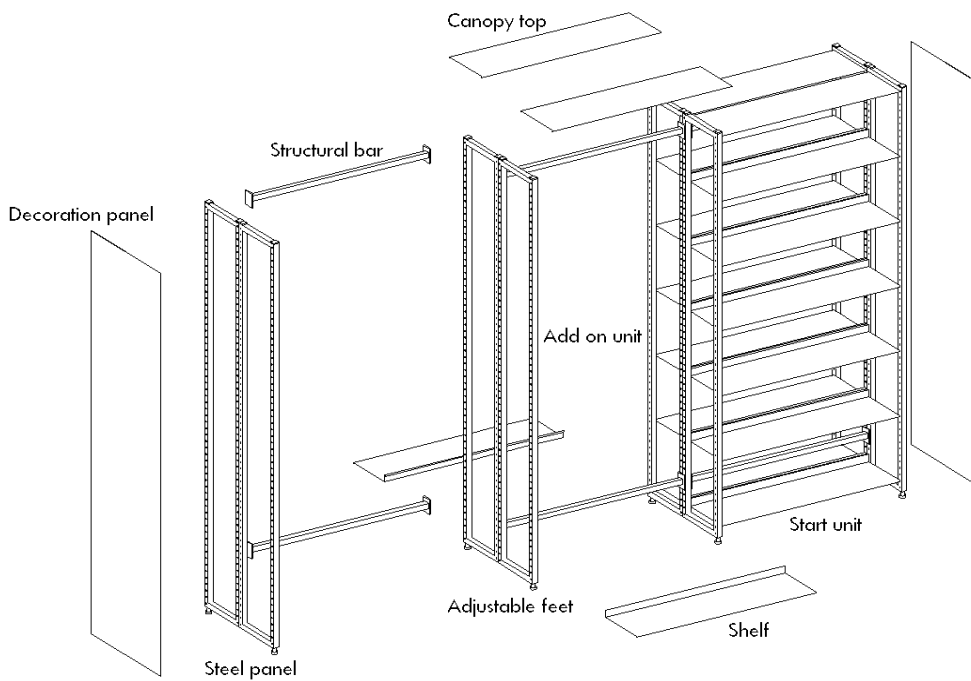
LIBRUM STRUCTURE

The structure includes single or double sided bays with end panels in steel or melamine.
The steel panels can be comined with coverings in Perspex or metal.
Shelves are reversible for flat or sloping display.

SINGLE SIDED



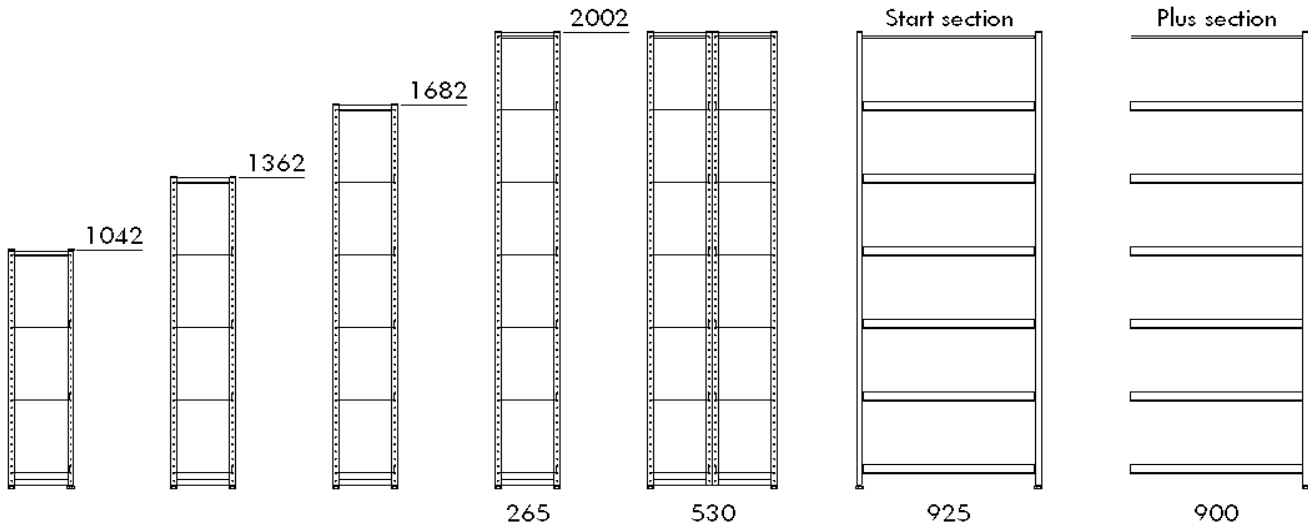
DOUBLE SIDED



LIBRUM TECHNICAL DESCRIPTION

Librum is available in four heights and a width of c/c 900 mm.

DIMENSIONS



All dimensions are in millimeters.

DESCRIPTION

STEEL PANELS

- Powder coated in white colour RAL 9010 as standard.
- Panel heights 690, 1042, 1362, 1682 and 2002 mm.
- Panel depth as single sided are 265 mm.
- Panel depth as double sided are 530 mm (2x265).

MELAMINE PANELS

- Melamine in white colour as standard.
- Panel heights 690, 1042, 1362, 1682 and 2002 mm.
- Panel depth as single sided are 265 mm.
- Panel depth as double sided are 530 mm (2x265).

COVERINGS

- Available in two standard materials.
- Perspex frost Crystal Clear S2 000.
- Sheet metal in white colour RAL 9010.
- Other materials and colours are available upon request.

START & PLUS

- Width of bays are c/c 900 mm.
- Height adjustment of the shelves are at intervals of 32 mm.
- Space between shelves is based on standard for libraries which are c/c 320 mm.
- The height of the end panels does not include the feet which are minimum 15 mm.

SHELVES

- Powder coated in white colour RAL 9010 as standard.
- Reversible for flat or sloping display..
- Metal thickness 1,25 mm.
- With 32 mm high back stop. Available without back aswell.
- Shelf depth are 240 mm.
- The thickness of the shelves are 18 mm.

The sketches shows what is included in the current article number.

Librum can be adapted both material and dimensionally. Contact Lustrum for prices to specific projects.

LIBRUM MATERIALS & FINISHES

MATERIALS

Wooden Panels



White Melamine
W911 ST2

Steel Panels



White
RAL 9010

Metal Shelves



White
RAL 9010

Decoration Panels



Metal White
RAL 9010



Perspex
(see Perspex frost range)

PERSPEX

Pastel



S2 000
Crystal Clear
(Standard)



S2 030
Polar White
(Optional)



S2 6T21
Glacier Green
(Optional)



S2 7T69
Electric Blue
(Optional)



S2 7T77
Arctic Blue
(Optional)

Hot



S2 3T17
Mandarin Orange
(Optional)



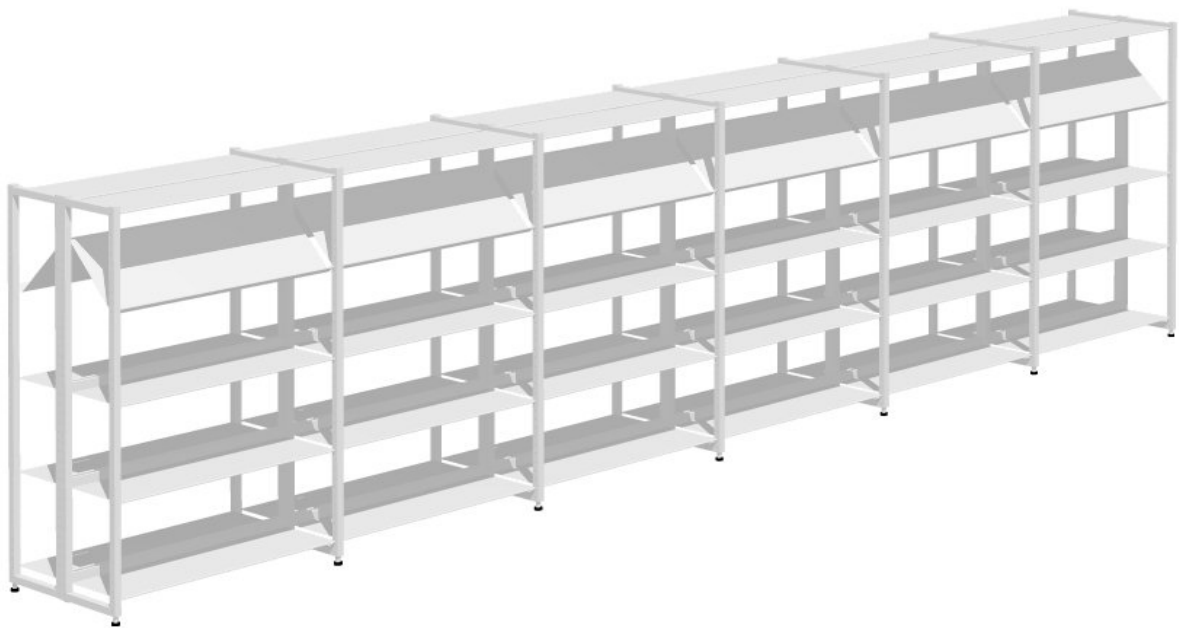
S2 4T50
Chilli Red
(Optional)



S2 3T17
Sapphire Blue
(Optional)

LIBRUM MATERIALS & FINISHES

STEEL



LIBRUM MATERIALS & FINISHES

MELAMINE



- Reversible shelf planes
- Easy management
- Few tools
- Space saving
- Ecological
- Flexible
- Functional
- Timeless design
- Economic
- Easy maintenance
- Mobile solutions