

## 2" Spin Klin™ Compact

Automatic Compact (stand alone)  
disc filter for low flow rates



inlet/outlet

**50 mm  
(2")**

max. flow rate

**15 m<sup>3</sup>/h  
(66 gpm)**

filtration degrees

**20 – 400  
micron**

max. operating pressure

**10 bar  
(145 psi)**

### features:

- Micron-precise depth filtration of solids
- Innovative disc technology captures and retains large amounts of solids
- Long-term operation with minimal maintenance
- Easy and simple operation
- Short automatic backwash with regulated water volume for a small water footprint
- Permanently eliminates the need to replace filter media
- Compact design

## How the 2" Spin Klin™ Compact Filters Work

### General

The Arkal 2" Spin Klin™ Compact filter is a stand alone, polymeric, automatic disc filters with a patented self-cleaning backwash mechanism. The Arkal 2" Spin Klin™ Compact filter is for flow rates of up to 20 m<sup>3</sup>/h (88 gpm) with filtration degrees ranging from 20 – 400 micron.

Inlet /Outlet - 50 mm (2") diameter.



### The Filtration Process

The discs are stacked on the Spin Klin™ spine and assembled according to pre-determined water filtration requirements. During filtration, the discs are compressed by means of a pre-loaded spring and differential pressure, forcing the water to pass through the grooved disc surface, thus trapping the solids.

### The Backwash Process

Activated by a pre-determined time command or differential pressure, the filter enters backwash mode. The inlet valve port shuts as the drain valve port opens. Water flows through a bypass filter screen into the outlet valve and into the filter. During the backwash process, pressure is released and the spine's piston elevates, releasing the compression on the discs. Tangential jets of filtered water are then forced through the nozzles positioned along the spine. At this stage the discs spin freely, loosening the trapped solids which are then flushed out.

\*Please note: During backwash of the 2" Spin Klin™ Compact, downstream flow is suspended.

Construction materials	
Filter Housing & Lid	RPA (Reinforce Polyamide) or RPP (Reinforce Polypropylene)
Disc elements	PP (Polypropylene) or PA (Polyamide)
Backwash valves	RPA (Reinforce Polyamide) or RPP (Reinforce Polypropylene)
Manifolds	PP (Polypropylene)
Seals	NBR or EPDM, (Viton optional)
Control Tubing	PE or PA

### Disc material type availability according to filtration degree:

Color Code	Gray	Purple	Green	Brown	Black	Red	Yellow	Blue
Micron	20	40	55	70	100	130	200	400
PP Disc PA (Nylon) Disc	PP, PA	PP	PP, PA	PP, PA	PP, PA	PP, PA	PP, PA	PP

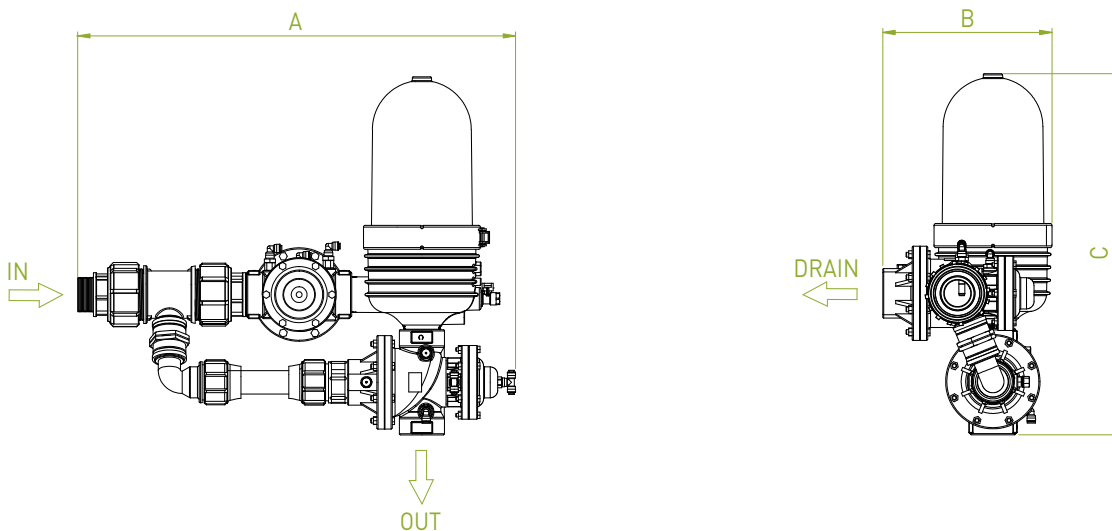
Filter Type	2" Spin Klin™ Compact
-------------	-----------------------

General Data	
Max. working pressure*	10 bar (145 psi)
Min. backwash pressure	2.8 bar (40.6 psi)
Max. recommended flow rates   130µ	15 m <sup>3</sup> /h (66 gpm)
Filtration volume	1,148 cm <sup>3</sup> (70 in <sup>3</sup> )
Filtration area	880 cm <sup>2</sup> (124 in <sup>2</sup> )
Inlet/Outlet diameter	50 mm (2")
Max. working temperature*	60°C (140°F)
Dry weight	20 kg (44 lb)

\* Maximum operating pressure and temperature are interdependent parameters and are given for general reference only. Please consult your authorized Amiad representative for the application specific parameters.

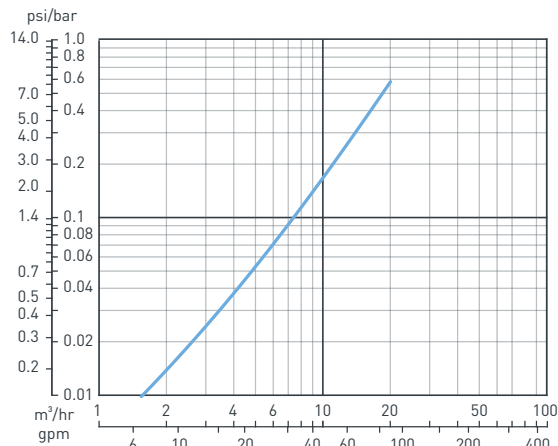
Backwash Data	
Exhaust valve	50 mm (2")
Flushing time	20 sec
Minimum flow for backwash	10 m <sup>3</sup> /h (44 gpm)

### Typical Installation Drawing



Dimensions		1 unit battery
A	Length	749 mm (29 1/2")
B	Width	287 mm (11 5/16")
C	Height	612 mm (24 3/32")

### Head Loss Graphs (in clean water)



\*head loss is based on a 130 micron disc — 1 unit

## Headquarters

### Amiad Water Systems Ltd.

Web: [www.amiad.com](http://www.amiad.com) | E-mail: [info@amiad.com](mailto:info@amiad.com)

## The Americas



### USA

#### Amiad USA Inc.

Web: [www.amiadusa.com](http://www.amiadusa.com) | E-mail: [infousa@amiad.com](mailto:infousa@amiad.com)

### Brazil

#### Amiad Sistemas de Água Ltda.

E-mail: [infobrasil@amiad.com](mailto:infobrasil@amiad.com)

### Mexico

#### Amiad México SA DE CV,

Web: [www.amiad.es](http://www.amiad.es) | E-mail: [infomexico@amiad.com](mailto:infomexico@amiad.com)

Irrigation office: E-mail: [infomexico-irr@amiad.com](mailto:infomexico-irr@amiad.com)

## Asia



### India

#### Amiad Filtration India Pvt Limited

Web: [www.amiadindia.com](http://www.amiadindia.com) | E-mail: [info-india@amiad.com](mailto:info-india@amiad.com)

### China

#### Amiad China (Yixing Taixing Environtec Co., Ltd.)

Web: [www.amiad.com.cn](http://www.amiad.com.cn) | E-mail: [marketing@taixing.cc](mailto:marketing@taixing.cc)

### South-East Asia

#### Filtration & Control Systems Pte. Ltd.

E-mail: [info-singapore@amiad.com](mailto:info-singapore@amiad.com)

## Australia



### Amiad Australia Pty Ltd.

Web: [www.amiad.com.au](http://www.amiad.com.au) | E-mail: [sales@amiad.com](mailto:sales@amiad.com)

## Europe



### Amiad Water Systems Europe SAS

E-mail: [info@amiad-europe.com](mailto:info@amiad-europe.com)

### German branch office

E-mail: [info@amiad.de](mailto:info@amiad.de)

### United Kingdom

#### Amiad Water Systems UK Limited

E-mail: [info-uk@amiad.com](mailto:info-uk@amiad.com)

ozglobab2b.com



[www.amiad.com](http://www.amiad.com)

910101-000562/05.2019

Copyright © 2019 Amiad Water Systems Ltd. All rights reserved. The contents of this catalogue including without limitation all information and materials, images, illustrations, designs, icons, photographs, graphical presentations, designs, literary works, data, drawings, slogans, phrases, names, trademarks, titles and any other such materials that appear in this catalogue (collectively, the "Contents") are the sole property of Amiad Water Systems Ltd. ("Amiad"). Amiad has sole and exclusive right, title and interest in the Contents, including any intellectual property rights, whether registered or not, and all know-how contained or embodied therein. You may not reproduce, publish, transmit, distribute, display, modify, create derivative works from, sell or participate in any sale of, or exploit in any way, in whole or in part, any of the Contents or the catalogue. Any use of the catalogue or the Contents, other than for personal use, requires the advanced written permission of Amiad.