








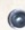






# Cabinet Free Universal Assist Lifter Instructions

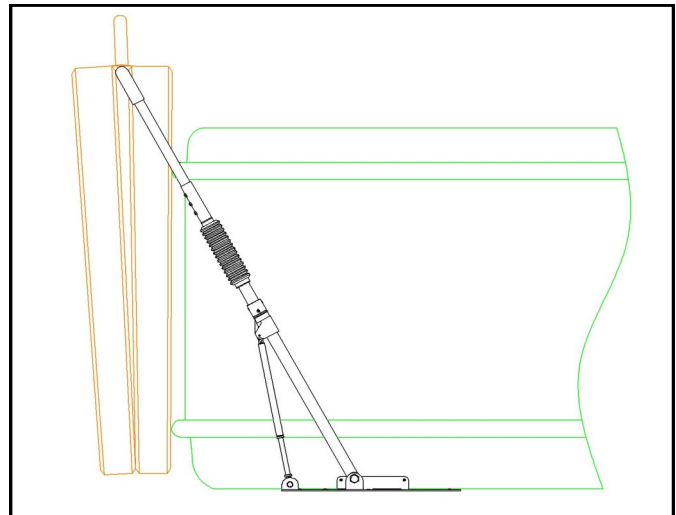
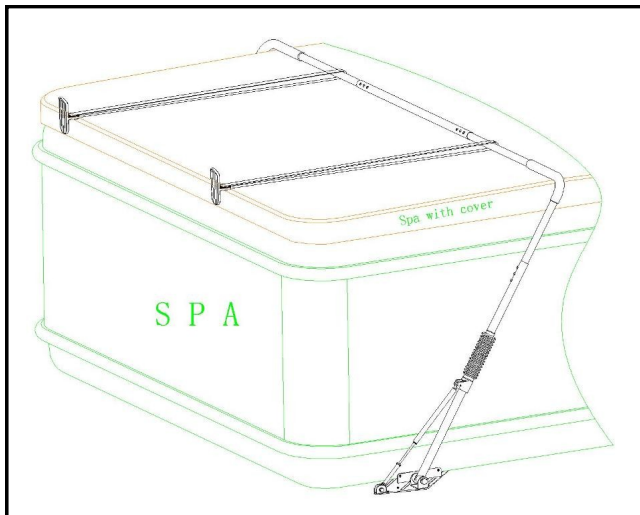


## PART LIST

	1 @ Left Undermount Bracket		1 @ Right Undermount Bracket
	2 @ 1-5/16" Pivot Arm		1 @ 1-5/16" Coupler
	2 @ 1-1/8" Bent Arms w/ Foams		2 @ Gas Shocks w/ Sliding Cylinder Mount
	2 @ M8 Bolt		2 @ 3-1/4" x 9/16" Bolt
	1 @ 1/8" Drill Bit		1 @ Phillips Driver
	2 @ 9/16" Lock Nut		2 @ M8 Lock Nut
	4 @ 19mm Black PVC Caps		20 @ 3/4" Tek Screws
	30 @ Black PVC Push Caps		4 @ 14mm Black PVC Caps
	6 @ 5x25mm Black Wood Screws		4 @ 9/16" Black Saddles
	4 @ PVC Stopper Washers		2 @ 6" PVC Cylinder Rod Stops
	4 @ 9/16" Washers		4 @ M8 Washers
	4 @ Black Saddle Spacers		1 set of Cover Savers
	2 @ Rubber Boot		2 @ Cylinder Stopper

**NOTE: THE ABOVE ARE ESSENTIAL COMPONENTS, HOWEVER WE DO ADD SOME EXTRA QUANTITIES AS WELL JUST FOR BACKUP.**

# Cabinet Free Universal Assist Lifter Instructions



**\*Make sure that you have all the parts from the parts list\***

**Note: All left and right directions are from standing in front of Hot Tub**

## NOTES:

1. Cover can not be lifted from the side, only from the centre inside or behind of spa.
2. You will need a level base of wood, concrete, or patio blocks.
3. If any shimming is required you must shim from under the base of the bracket.
4. You will need 48" clearance, if you will be lifting the cover from behind the SPA.
5. You will need 30" of space behind the SPA, if you will be lifting the cover from the inside of the SPA.

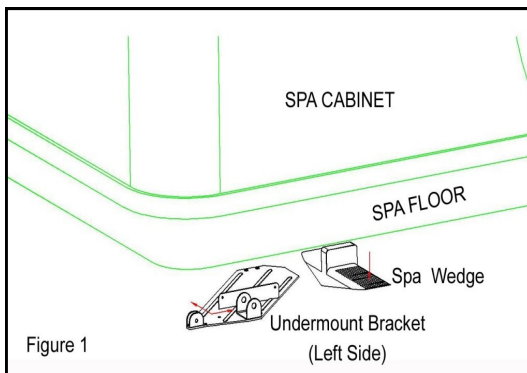


Figure 1

## STEP 1:

Raise and block Spa (recommend using CCS Leisure "SPA WEDGE") to place brackets underneath. You will need to place bracket 5 1/2" squared from back of Spa (7ft or 8ft square spa), as per (Fig. 1 & 2)

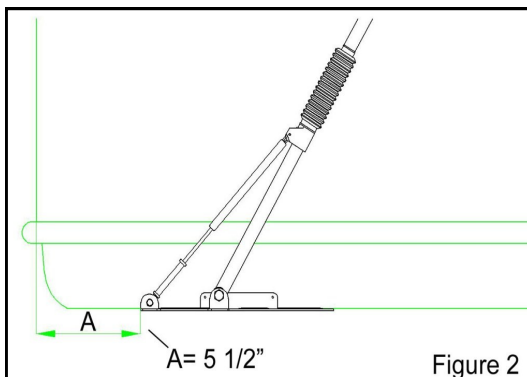


Figure 2

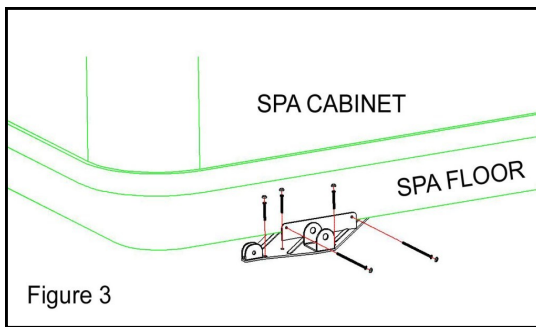
## STEP 2:

Confirm bracket location is correct and square, remove blocking and lower SPA onto brackets. (Fig. 2)

## STEP 3:

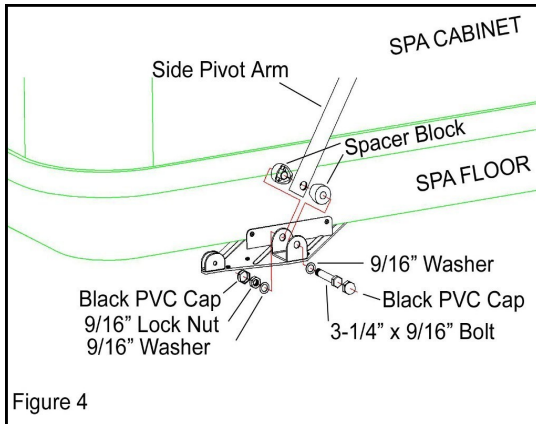
Secure brackets by mounting to Spa floor or deck using screws supplied. (Fig. 3)

# Cabinet Free Universal Assist Lifter Instructions



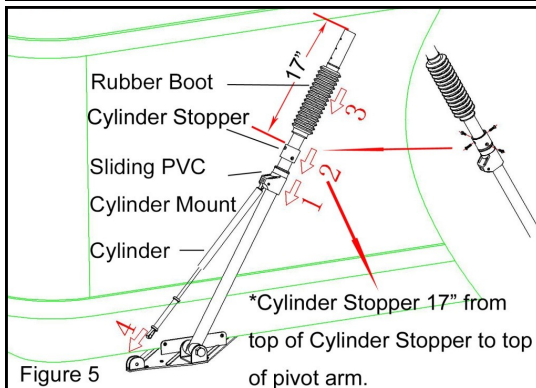
## STEP 4:

Select the two short, straight bars (Pivot Arm) and other parts as per Fig. 4. Install them onto one side on the undermount bracket. Before inserting bolts, confirm you have your washers inserted between saddle blocks and inside bracket supports. Push bolt through bolt holes, washers and saddle blocks and then tighten using the lock nut. Repeat on the other side.



## STEP 5:

Slide the sliding PVC Cylinder Mount over the pivot arm, mount the Cylinder Stopper to the pivot arm 17" from the top of it to top of pivot arm using the 3/4" tek screws. (Fig. 5)

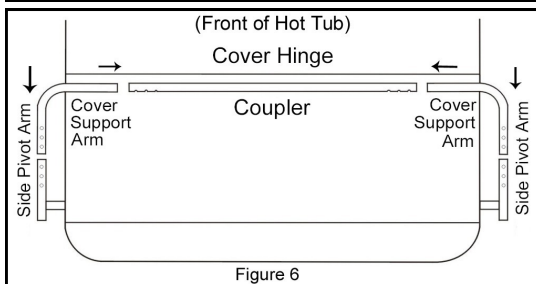


## STEP 6:

After sliding the PVC Cylinder in place and the Cylinder Stopper is mounted, slide rubber protective boot over pivot arm and onto the sliding PVC cylinder. (Fig. 5)

## STEP 7:

Slide cover support arm into side pivot arm. Do either the left or right side first. Repeat on the other side. (Fig. 6)



## STEP 8:

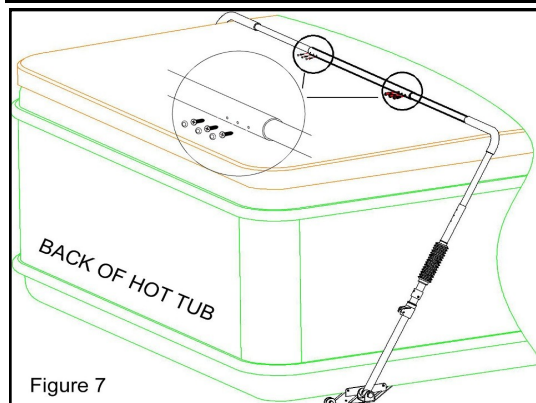
Ensure again cover is square on the top of the SPA lip.

## STEP 9:

Slide coupler onto cover support arm. (Fig. 6)

## STEP 10:

Complete the opposite pivot arm.



## STEP 11:

Center the coupler tube on the middle of the SPA cover. \*NOTE\* MAKE SURE TO TURN THE COUPLER TUBE SO THAT SCREW HOLES ARE DIRECTED TO THE BACK OF SPA (Fig. 7)

# Cabinet Free Universal Assist Lifter Instructions

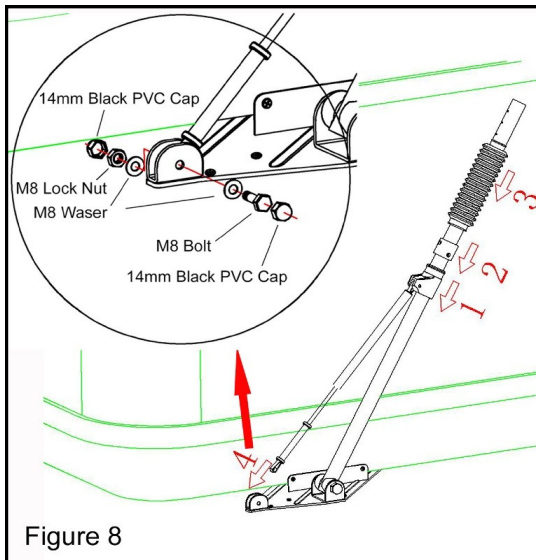


Figure 8

## STEP 12:

One side at a time, slide cylinder mount up to the Cylinder Stopper, now install Rod End of Cylinder into Undermount Bracket using M8 Bolt with M8 Lock nut. Repeat on the opposite side.

Note: Do not over tighten bolt, cylinder will not pivot correctly. (Fig. 8)

## STEP 13:

Now proceed to slide rubber boot into the recessed slot on the Sliding Cylinder Mount for each side. (Fig. 9)

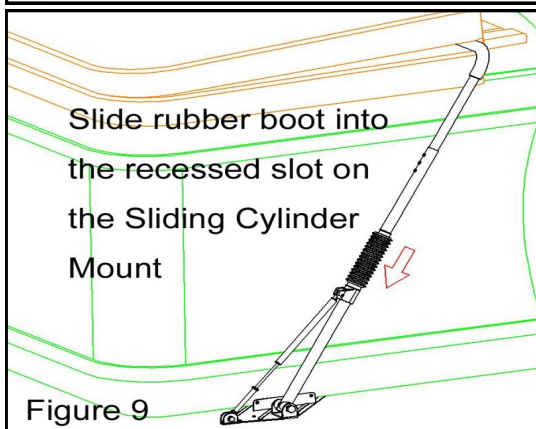


Figure 9

## STEP 13:

Install all Black PVC caps for screw and bolt heads. (Fig. 10)

## STEP 14:

Cover Saver is now ready for installation. (Directions enclosed)

## Note:

Directions to CHANGE out Cylinder Rod End Stops:

Remove Cylinder Rod end bolt, unscrew rod end fitting and slide PVC washer off then the PVC stopper; install new 6" PVC stopper with washers behind and then screw rod end fitting until thoroughly tight, then re-install rod end bolt with lock nut as per Step 12. (Confirm both Cylinder rod stops are the same length) (Fig. 11)

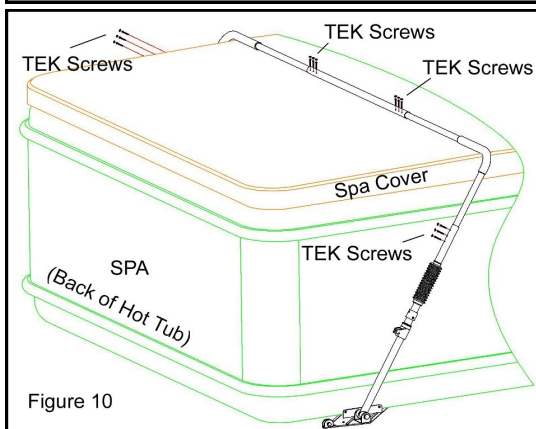


Figure 10

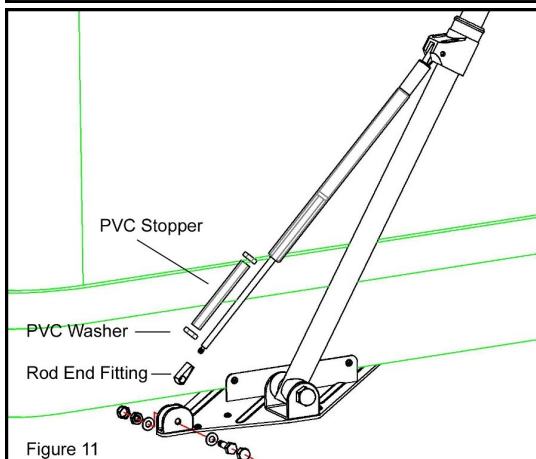
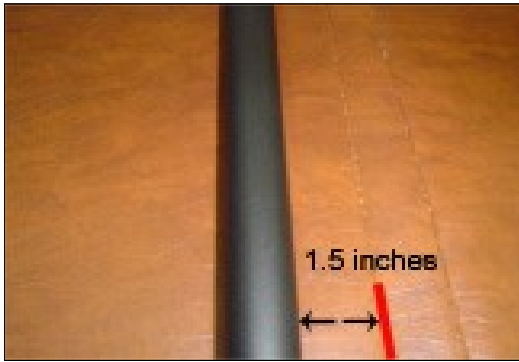


Figure 11

## COVER SAVER INSTRUCTIONS

Prevent the possibility of damages caused by cover lifters to your spa cover seam.



Step 1: Center the cover on the hot tub so it is even on all four sides. The center support bar has to be 1.5 inches from the center of the cover.

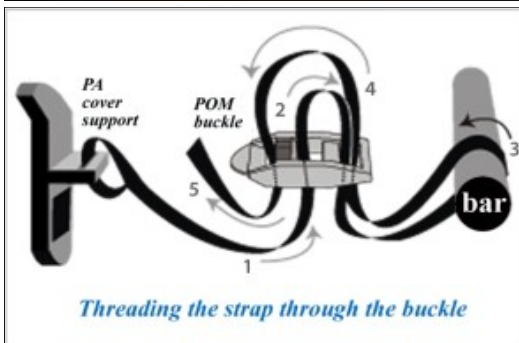
Note: When using Cover Saver with new or existing lifters, make sure the center is 1.5 inches away from the center. On existing lifters, you may have to adjust the side pivot arms by removing the screws to allow the cover support arms to move. (See Step 1)



Step 2: Place one piece of Velcro 1 1/2 inch from the inside edge of the cover handles on each side.

Note: There are two supports to be installed. To permanently apply Velcro, use silicon or Crazy Glue (not supplied).

Note: For Cover with pockets, please omit this step.



Step 3: Thread the strap through the buckle as shown. Repeat for the other strap.

### Part List:

- 4 - 1 1/2" pieces adhesive Velcro
- 2 - PA cover supports, including 145mm PP straps
- 2 - 1 1/2" POM buckles

## LET'S CHECK:



When Cover Lifter is in the upright position, the cover should not be resting on the center bar.

After installation, trim excess straps from buckles, melt ends so they do not fray.

All the weight of the cover should be resting on your Cover saver if your Cover Saver has been properly installed.

