



WD-6

HOOD TYPE DISHWASHER

FEATURES

- Robust and reliable design in stainless steel with components that guarantee a durable and reliable operation for many years
- The machine has an energy saving heat and sound insulating double-skinned hood.
- A good working environment with the unique hood concept
- High levels of hygiene with an automatic cleaning programme and guaranteed rinse temperature by thermal stop system
- Self-drained wash pump
- Large deep tank to protect against foaming
- Easy servicing - the machine is serviced from the front
- Hygiene control – control system with integrated HACCP
- Excellent wash results – with selfdraining washing arms
- Powerful washing pressure with anti-blocking nozzles
- Individual adjustable wash- and rinse times as well as temperatures for each programme
- Inbuilt dosing pump for fine dosage of rinse aid
- Automatic cleaning program

OPTIONS

- Automatic hood
- Autostart for automatic hood
- 230V/1/50Hz
- 230V/3/50Hz
- Marine version
- Detergent pump for liquid detergent
- Panel on left side
- Lockable cabinet for chemicals (not in comb. with break tank or panel on left side)
- Booster heater for cold water connection
- Drain pump
- Separate filling of tank
- Break tank with booster pump (to be used when no external resuction protection is mounted)
- Booster pump connected with WD-PRM6 equipped with automatic hood (In combination with break tank)
- ECO-FLOW condensing unit with heat recovery by the exhausted steam. (cold water connection is required)
- Heat exchanger with heat recovery by the drain water. Not in combination with PRM. (cold water connection is required)



- WEB Tool - For external HACCP documentation

EXTRA EQUIPMENT

- Steam hood with suction connection
- Shelf for chemical storage
- Sideboard (560 x 560 mm)

| TECHNICAL DATA | WD-6 |
|-----------------------------------|-------|
| Wash pump (kW) | 0.9 |
| Booster heater (kW) | 9/12* |
| Heater tank (kW) | 1.8 |
| Tank volume (litres) | 50 |
| Weight, machine in operation (kg) | 160 |
| Degree of protection (IP) | 45 |

* 12 kW booster heater is optional.

| CAPACITY AND OPERATION DATA | WD-6 |
|---|----------|
| Total time/wash program 1 (min) | 1.2** |
| Total time/wash program 2 (min) | 1.7** |
| Total time/wash program 3 (min) | 3.2** |
| Capacity, max (baskets/h) | 50 |
| Water consumption rinse/program (litres) | 2.5-4*** |
| Energy consumption (kWh of connected power) | 70-90% |
| Sound level* (dB(A)) | 60 |

* Measured 1 metre from the machine.

** Factory setting. The wash time is adjustable.

*** Applies under ideal conditions. The water consumption depends on local conditions. An exact adjustment is made during installation.

| CONNECTION, MACHINE | WD-6 |
|--|-----------|
| Total connected power (kW) | 9.9/12.9* |
| Main fuse 400V 3N~ (A)** | 16/25* |
| Max connection area 400V 3N~(L1-L3, N, PE) Cu (mm2)*** | 2.5 |

* 12 kW booster heater is optional.

** Other voltages on request.

*** Cabel 2.5m H07RN-F included.

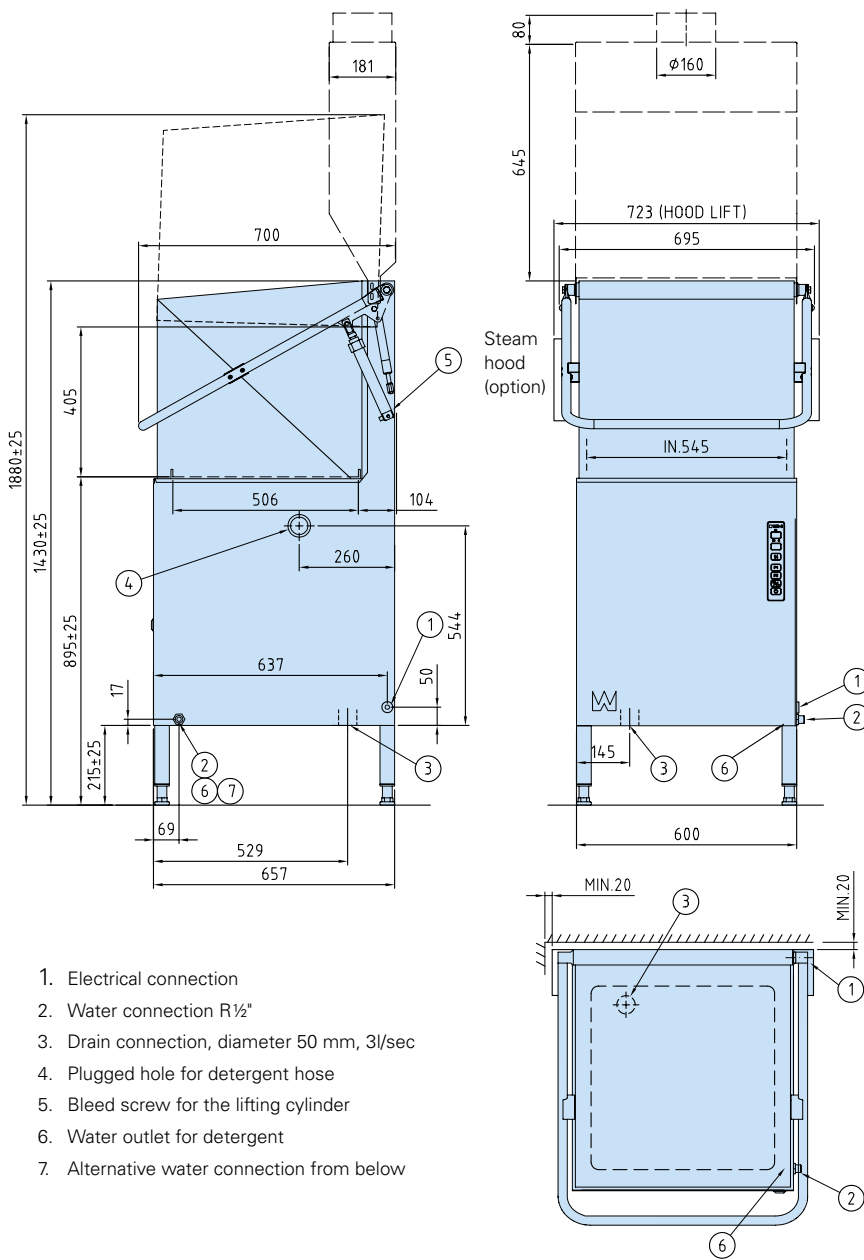
Wexiödisk

| CONNECTION WATER, DRAIN AND VENTILATION | WD-6 |
|--|-----------------|
| Water quality, hardness (°dH) | 2-7 |
| Water connection 5-65°C (external thread)* | R ½" |
| Drain connection, PP pipe (ø mm) | 50 |
| Water capacity, pressure (kPa) | 180** |
| Water capacity, flow (litres/min) | 18 |
| Water capacity hood lift, pressure (kPa) | 180** |
| Floor drain, capacity (litres/sec) | 3 |
| Heat load to the room (total, sensible, latent) (kW) | 2.3 / 1.7 / 0.6 |

* If colder water than 55° C a 12 kW booster heater is recommended.
 ** If pressure / flow is lower the machine should be equipped with a break tank.

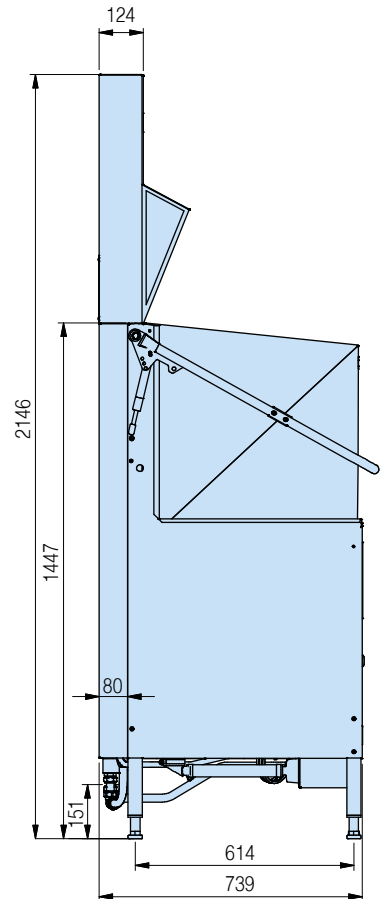
| SIZE AND WEIGHT FOR TRANSPORTATION | WD-6 |
|------------------------------------|--------------|
| Size LxWxH (mm) * | 765x710x1560 |
| Weight (kg) * | 115 |

* Packaging included.



1. Electrical connection
2. Water connection R ½"
3. Drain connection, diameter 50 mm, 3l/sec
4. Plugged hole for detergent hose
5. Bleed screw for the lifting cylinder
6. Water outlet for detergent
7. Alternative water connection from below

WD-6 with **ECO-FLOW** condensing unit and heat exchanger



Wexiödisk