

A **Roller conveyor** to achieve an efficient flow in the washroom



STAINLESS STEEL ROLLER CONVEYOR IN VARIOUS LENGTHS FOR FLEXIBILITY IN THE DISHWASHING ROOM

LIMIT SWITCH

GUIDE FOR EXACT CONTROL OF THE BASKET

ERGONOMICAL - ANGLED EDGE TO AVOID UNNESSESARY LIFTING OF THE BASKETS. IN EITHER DIRECTION

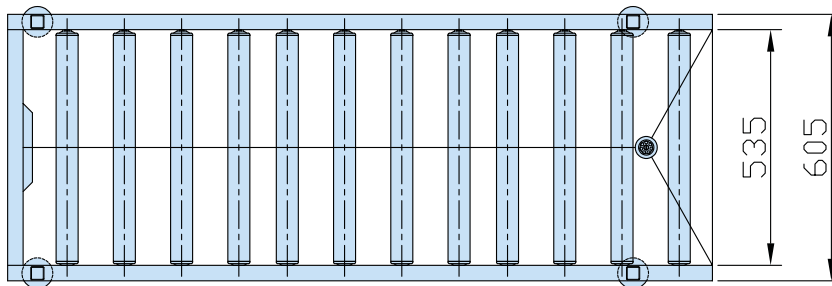
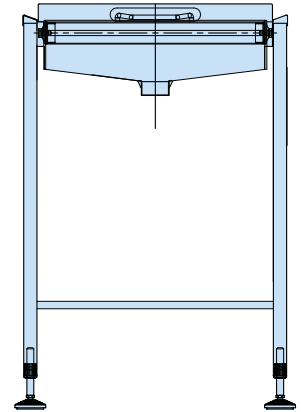
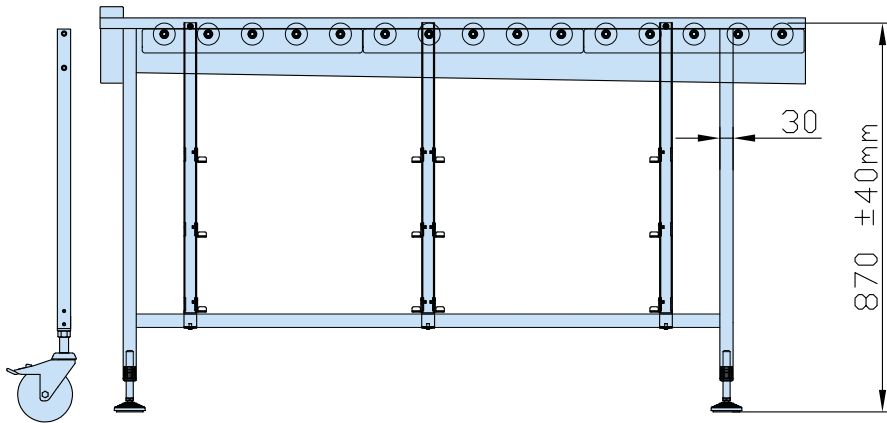
DETACHABLE SHELF

ADJUSTABLE FEET IN STAINLESS STEEL. CAN BE DELIVERED WITH WHEELS FOR A SWINGABLE ROLLER CONVEYOR

BASKET RACKING FOR STORAGE OF DISHWASHING BASKETS

EASY CLEANING WITH REMOVABLE CASSETTES THAT CAN BE WASHED IN THE DISHWASHER

Wexiödisk 



Standard lengths

600 mm
 1100 mm
 1600 mm
 2100 mm
 2600 mm
 3100 mm

Roller connection 100 - 700 mm,
 for special lengths

Wexiödisk

TELEFON: +46 470 77 1200 FAX: +46 470 237 52 ADRESS: Mårdvägen 4 SE-352 45 Växjö SWEDEN
 E-POST: wexiodisk@wexiodisk.com WEBB: www.wexiodisk.com