

# Wexiödisk<sup>W</sup>

## BAR-FED TURN TRACK WD-BF90 & WD-BF180

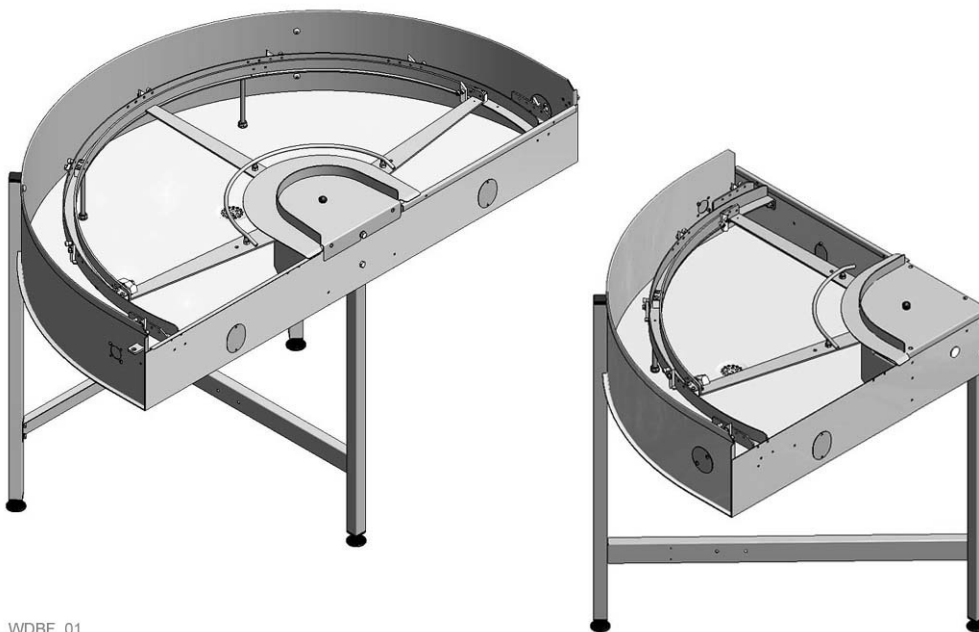
(translation of the original documentation)

Read the manual before using the machine!

---

### Installation and user manual

---





---

<b>1. General information .....</b>	<b>1</b>
1.1 Symbols used in this manual .....	1
1.2 Symbols on the connected dishwasher .....	1
<b>2. Safety instructions .....</b>	<b>2</b>
2.1 General information .....	2
2.2 Transport .....	2
2.3 Installation .....	2
2.4 Operation .....	3
2.4.1 Crushing risk .....	3
2.5 Cleaning .....	3
2.6 Safety instructions if the equipment is not functioning .....	3
2.7 Repairs and servicing .....	3
2.8 Recycling .....	3
<b>3. Installation .....</b>	<b>4</b>
3.1 General information .....	4
3.2 Requirements for the installation site .....	4
3.3 Transport and storage .....	5
3.3.1 Unpacking .....	5
3.4 Installation .....	6
3.4.1 Connection to dishwasher .....	7
3.5 Connections .....	11
3.5.1 Drain connection .....	11
3.5.2 Cabling from limit switch .....	11
3.6 Trial operation .....	12
3.6.1 Start-up schedule .....	12
3.7 Technical documentation .....	13
<b>4. Instructions for use .....</b>	<b>14</b>
4.1 Preparations .....	14
4.2 Using the machine .....	15
4.3 After use .....	16
4.3.1 Cleaning .....	16
4.3.2 Incorrect cleaning methods .....	16
4.3.3 Operating problems .....	16
<b>5. Technical information .....</b>	<b>17</b>

---



# 1. General information

Read the instructions in this manual carefully, as they contain important information regarding the correct, effective and safe installation, use and servicing of barfed turn tracks.

Keep this manual in a safe place so that it can be used by other operators.

## 1.1 Symbols used in this manual



This symbol warns of situations where a safety risk may arise. The instructions given should be followed in order to avoid injury.



This symbol on a machine component warns of the presence of electrical equipment. The connected dishwasher is sensitive to electrostatic discharge (ESD), and a static electricity wristband must therefore be used when handling the machine's electronics.



This symbol explains the correct way to perform a task in order to prevent poor results, damage to the turn track and dishwasher or hazardous situations.



This symbol identifies recommendations and hints to help you to get the best performance from the equipment.



This symbol explains the importance of careful and regular cleaning of the equipment to meet hygiene requirements.

## 1.2 Symbols on the connected dishwasher



This symbol on a machine component warns of the presence of electrical equipment. The component may only be removed by a qualified electrician.

## 2. Safety instructions

### 2.1 General information

The dishwasher to which the turn track is connected is CE labelled, which means that the whole installation (dishwasher and turn track) comply with the requirements in the EU Machinery Directive in relation to product safety. Product safety means that the design of the equipment will prevent personal injury or damage to property.



Modifying the equipment without the approval of the manufacturer invalidates the manufacturer's product liability.



To further improve safety during installation, operation and servicing, the operator and the personnel responsible for installing and servicing the equipment should read the safety instructions carefully.



Switch off the equipment immediately in the event of a fault or malfunction. The equipment must only be serviced by trained engineers. The equipment must be serviced by a person authorised to do so by the manufacturer. Use original spare parts. Contact an authorised service company to draw up a programme of preventative maintenance. Hazardous situations may arise if the instructions above are not followed.



Before using the equipment, ensure that personnel are given the necessary operation and maintenance training.

### 2.2 Transport



Handle the equipment with care during unloading and transport to avoid the risk of it tipping over.

### 2.3 Installation



The turn track is driven by the dishwasher feed device. If there is a need to interfere with the machine's electrical equipment for feeding, the electrical cabinet may only be opened by a qualified electrician. The connected dishwasher is sensitive to electrostatic discharge (ESD), and a static electricity wristband must therefore be used when handling the machine's electronics.

## Safety instructions

---

### 2.4 Operation

#### 2.4.1 Crushing risk



Avoid contact with the turn track's drive system during use. The movement of the drive system can cause crushing injuries.

### 2.5 Cleaning



Do not use pressure washers for cleaning. It is quite enough to use a standard hose to rinse the turn track.

### 2.6 Safety instructions if the equipment is not functioning



Check the following:

- Has the equipment been used according to the instructions?
- Is the main switch in the ON position?
- Are the fuses in the electrical cabinet undamaged? Ask the service personnel to check the fuses.

If this does not solve the problem, ask authorised service personnel to check the motor-powered turn track and dishwasher. For authorised service companies, please see [www.wexiodisk.com](http://www.wexiodisk.com) or contact Wexiödisk AB.

### 2.7 Repairs and servicing



Where repairs or servicing involve interfering with the dishwasher's electrical equipment, the power must be switched off before work commences. If required, the power switch must be locked to prevent unintentional operation.

### 2.8 Recycling

When the equipment has reached the end of its service life, it must be recycled in accordance with current regulations. Contact professionals who specialise in recycling.

## **3. Installation**

### **3.1 General information**



The turn track must be installed by authorised personnel only.

Read these instructions carefully, as they contain important information regarding the correct installation method.

The instructions should be used together with the dishwasher's wiring diagram.

If the equipment is damaged as a result of the instructions not being followed, this invalidates the supplier's guarantee and product liability.

### **3.2 Requirements for the installation site**

The same requirements apply for installation of the turn track as for the dishwasher to which it is connected. (Refer to the dishwasher's installation and user manual.)



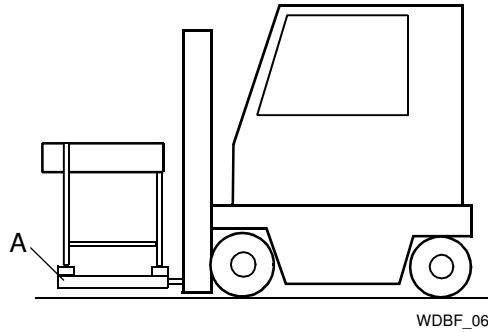
### 3.3 Transport and storage

Packaging must not be removed during transport.



Take care during transport, as there is a risk of the equipment tipping over.

NOTE: The turn track must not be transported without a pallet or other support, otherwise it may become damaged.



*The turn track is transported with a pallet as support (A)*



If the turn track is not to be installed immediately, it must be stored in a frost-free area where the air is dry.

#### 3.3.1 Unpacking

Remove the packing material. Inspect the turn track for any transport damage.

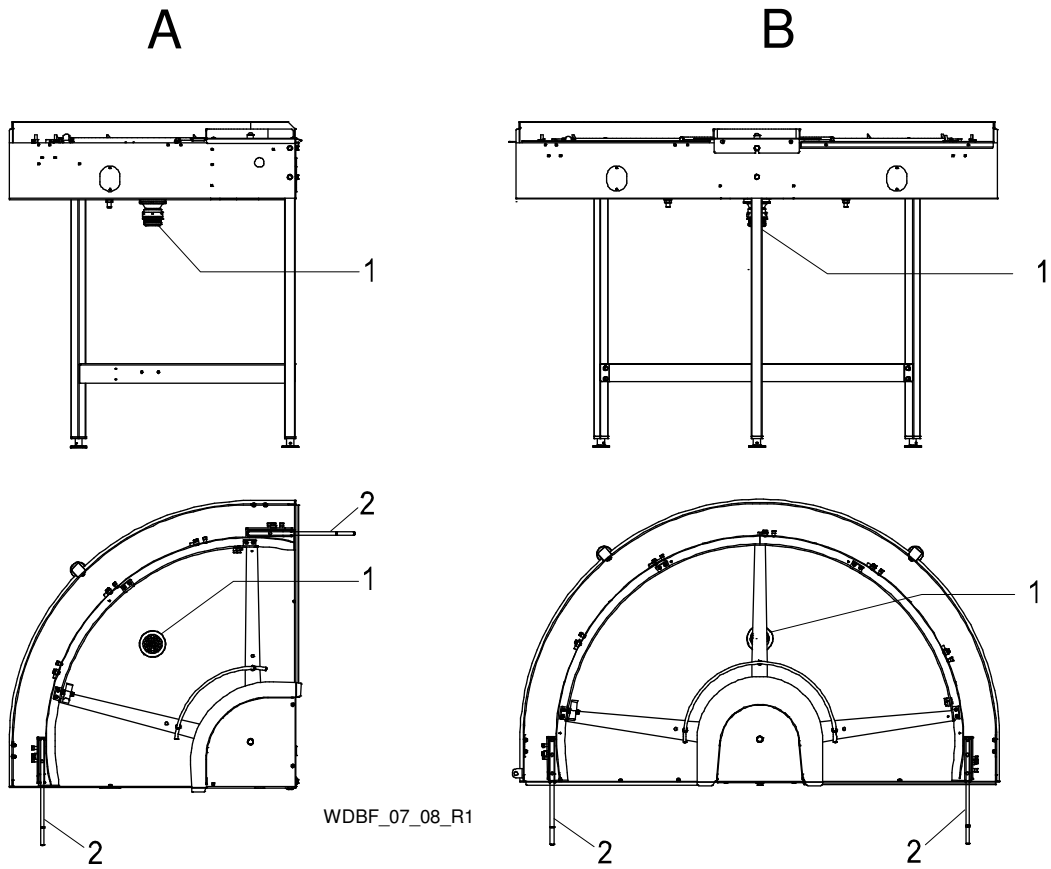
Check that all parts have been delivered by comparing them with the delivery note.



Packaging must be disposed of or recycled in accordance with local regulations.

Installation

3.4 Installation



A=Turn track 90°

B=Turn track 180°

1=Drain connection

2=Basket Support (1st, mounted on the supply side of the curve)

## Installation

### 3.4.1 Connection to dishwasher

Connect the turn track and other peripheral equipment to the dishwasher in accordance with the dishwashing room's layout drawing.



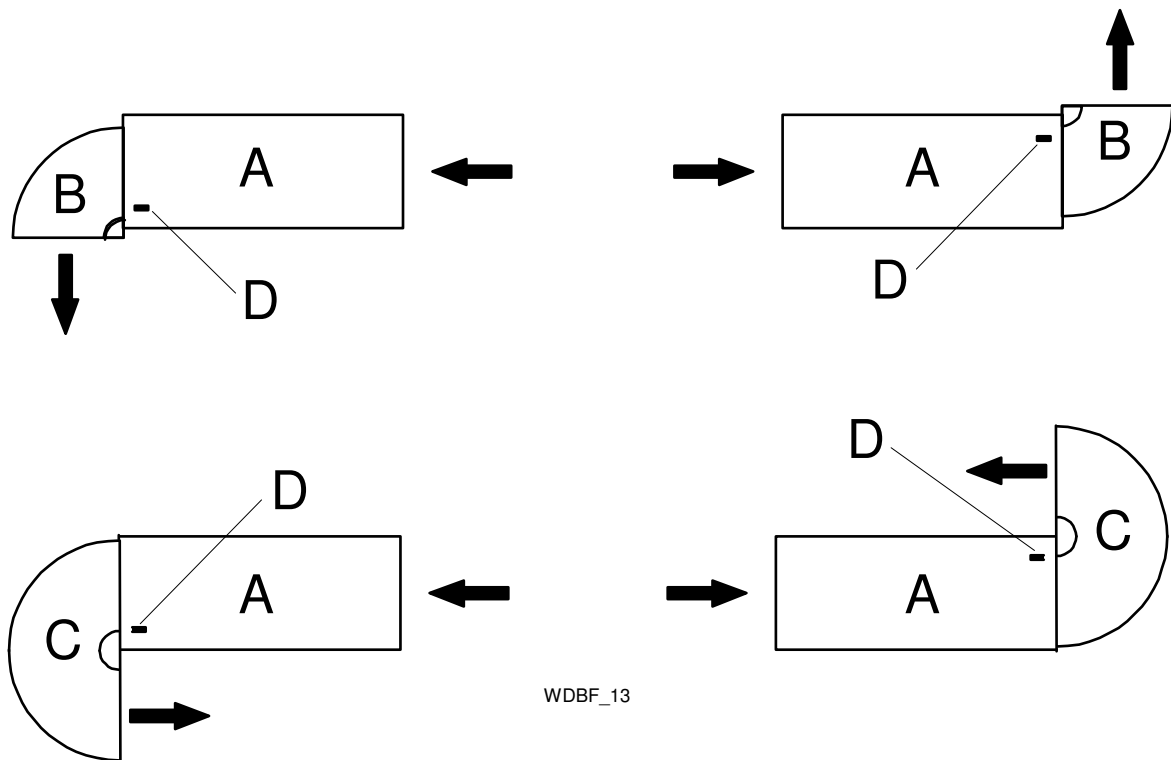
Check that the machine which the WD-BF90/WD-BF180 is connected to has correct set-point (line 115) set for this option.



When the turn track is connected to the infeed of a dishwasher, a straight part must be used between the turn track and the machine and no catch removes.



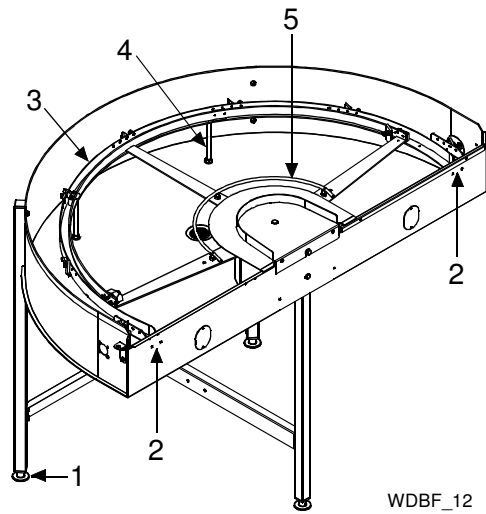
When WD-BF90/WD-BF180 connects to the output of a dishwasher as the outermost feed hook (D) (in the machine) on the side that WD-BF90/WD-BF180 is curved to be removed.



WDBF\_13

A=Dishwasher  
 B=WD-BF90  
 C=WD-BF180  
 D=Feed hook to remove

## Turn track adjustment options



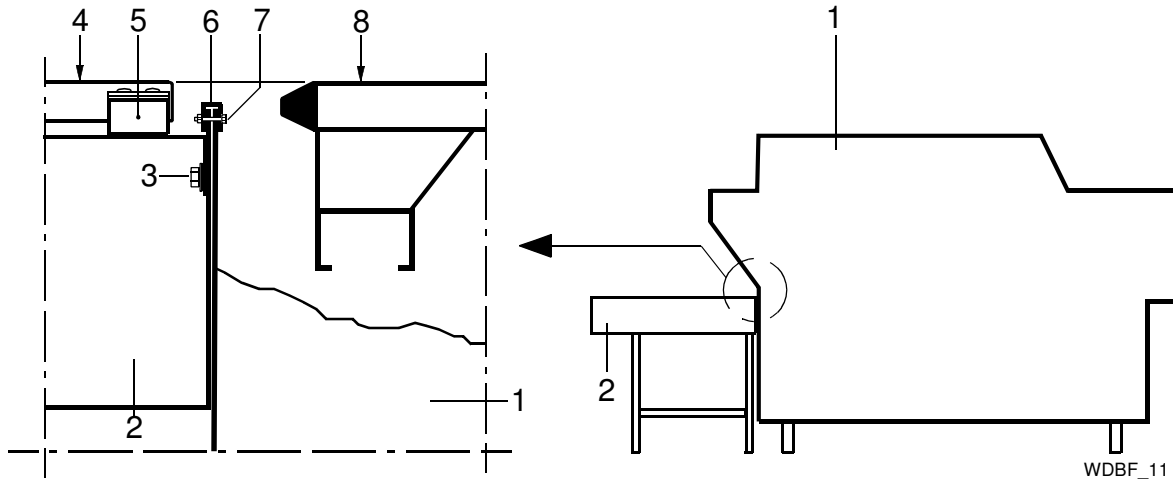
### *180° turn track*

1. Adjustable foot for correct fitting of turn track height for the dishwasher.
2. Lock nuts inside for adjusting the level of the stopper rail.
3. Stopper rail
4. Support for stopper rail (adjustable)
5. Basket support (adjustable)

## Installation

### Connection

The turn track is installed on delivery from the factory, but adjustment may be necessary depending on the conditions at the installation location.



WDBF\_11

1. Dishwasher
2. Turn track
3. Lock nuts + washer
4. Drive bar
5. Sliding wedge
6. Cover strip
7. Screws + nuts + washers
8. The dishwasher's feeding cradle

Adjust the height of the turn track using the adjustable plastic feet. The hole in the turn track's connection end must fit the hole in the bottom edge of the dishwasher's outfeed opening. The turn track must be evenly balanced.

Fit the cover strip (6) and screw the turn track and dishwasher together using screws, washers and nuts (7).

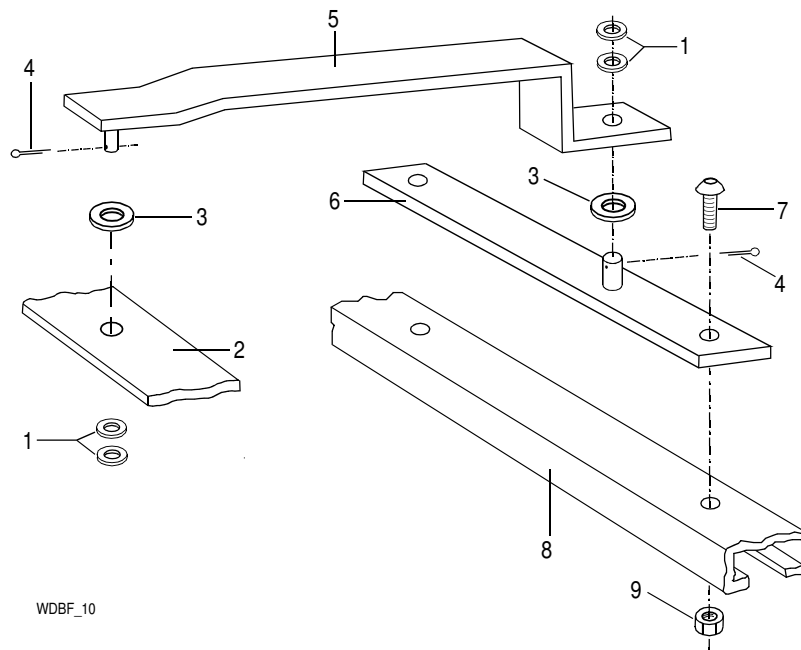
Adjust the drive bar (4) so that the top edge is at the same level as the sliding surface of the dishwasher's feeding cradle (8). The level of the drive bar is adjusted by raising or lowering the stop rail which is fixed to the end of the turn track with nuts at (3) and using the stopper rail's adjustable support which is fixed to the bottom plate of the turn track (See the section on "Turn track adjustment options").

The basket support on the turn track's inner radius must always be at the same level as the top edge of the drive bar (4).

## Installation

### Fitting the feeder arm

After fitting and adjustment of the turn track, connect the turn track's drive unit to the dishwasher's feeder cradle.



WDBF\_10

1. Stainless steel washer
2. Turn track drive arm
3. Plastic washer
4. Cotter pin
5. Feeder arm
6. Plate
7. Screw
8. The dishwasher's feeding cradle
9. Lock nuts

The plate (6) is fitted using existing holes in the dishwasher's feeder cradle (8). The plate must be facing the right direction, depending on the feeding direction of the equipment.

The feeder arm (5) is connected to the feeder cradle (8) and to existing holes in the drive arm of the turn track (2). Note the positioning of the plastic washers (3).

## Installation

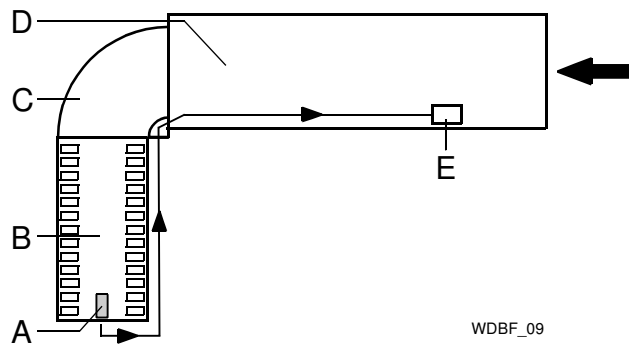
### 3.5 Connections

#### 3.5.1 Drain connection

Connect the drain at (1). The drain pipe can be connected to the dishwasher drain or run to a floor drain, where it must end above the water level. The drain should be a 50 mm metal pipe if there is a risk of mechanical collision.

#### 3.5.2 Cabling from limit switch

The cable from the limit switch for the connected roller table is pulled through existing holes in the end of the dishwasher and on to the terminal box positioned in the lower part of the dishwasher behind the front plates (see electrical schematic for connection).



WDBF\_09

*Connection of 90° turn track and roller table on the machine's outfeed side*

*A=Limit switch  
B=Roller table  
C=Turn track  
D=Dishwasher  
E=Terminal box*

## Installation

---

### 3.6 Trial operation

Test the turn track together with the dishwasher. Prepare the machine for a trial run by following the INSTRUCTIONS FOR USE in the machine's user manual. The instructions describe the measures that must be taken to prepare the machine for operation.

#### 3.6.1 Start-up schedule

The following information should be completed and signed by the customer on start-up:

<b>Customer:</b>
Adress for visitors:
Postcode + Town/City:
Telephone:
Contact:

<b>Dealer:</b>
Telephone:
Contact:

<b>Installation company:</b>
Telephone:
Contact:

<b>Service company:</b>
Telephone:

<b>End user's signature:</b>

<b>Name in block capitals:</b>

Read the contents of the installation and user manuals carefully. Then check off as follows:

**Start the dishwasher and load baskets containing items. Carry out the following checks:**

- Transport of baskets along the turn track.
- Check the function of the drive unit and stopper rail catches.
- Limit switch function. When a basket activates the limit switch on a connected roller table, the turn track and dishwasher should stop. When the basket is removed, the equipment should restart automatically.
- Drainage system integrity.



### **3.7 Technical documentation**

For correct use and servicing, it is essential that the documentation accompanying the equipment be made available to personnel who will be using it. The installation and user manual, which describes handling and care, among other things, should be stored near the equipment.

If a service manual and spare parts manual are supplied with the machine, these should be given to the service engineer responsible for the machine.

## 4. Instructions for use



All personnel using the equipment should be trained in how it works by the person responsible for staff safety.



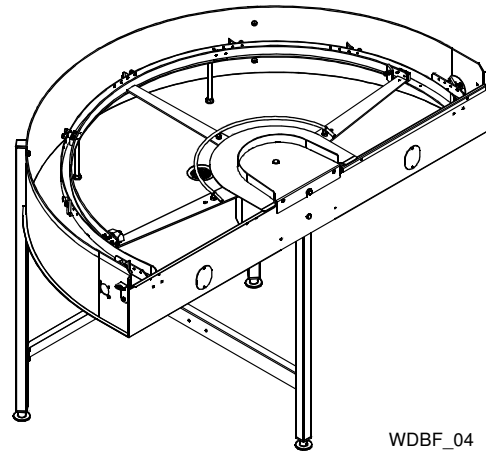
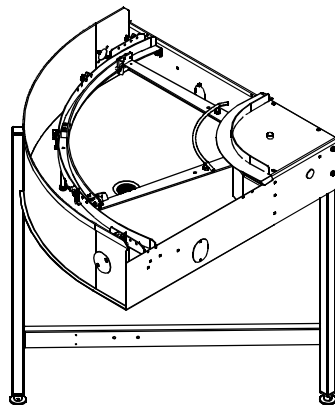
The equipment should not be used by anyone suffering from a physical or mental illness.



Children should be watched closely to ensure that they do not play with the equipment.

### 4.1 Preparations

Before the equipment is used, check that it is clean, if not clean!



WDBF\_04

*90° and 180° turn track*

## Instructions for use

### 4.2 Using the machine

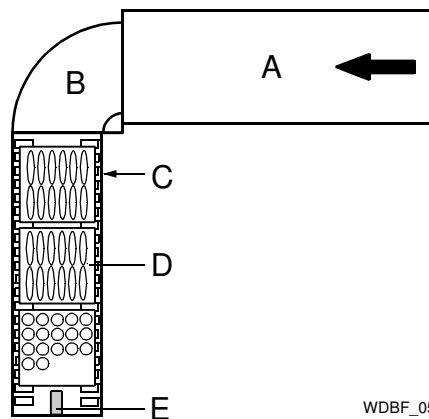
The turn track is controlled from the dishwasher and operates when the dishwasher is feeding baskets through the machine.

When a basket of clean items leaves the dishwasher, it is transported by the turn track to the connected roller table.

Once the roller table is full of baskets, the first basket will activate the roller table's limit switch (E). The dishwasher and turn track stop.

Remove the baskets from the roller table. The dishwasher and turn track start automatically.

A turn track can also be connected to the dishwasher's infeed opening and used for transporting baskets of dirty items into the machine.



WDBF\_05

*Example of installation: Dishwasher with 90° turn track and roller table*

*A=Dishwasher*

*B=Turn track*

*C=Roller table*

*D=Basket*

*E=Limit switch*

*The limit switch is activated by a basket and the equipment stops*

## Instructions for use

---

### 4.3 After use



HACCP is a preventive inspection system which ensures that hygiene requirements are met during the washing process and cleaning of the equipment. As a result of its design, the turn track meets strict hygiene requirements. Regular, thorough cleaning is also important from a hygiene perspective. Equipment that is properly cleaned reduces the risk of dirt accumulating, increases the service life of the equipment and reduces the risk of urgent interruptions to operation.

#### 4.3.1 Cleaning



Before cleaning begins, the dishwasher must be switched off.

If detergent is used, it must not contain abrasives. Detergents containing abrasives will damage the stainless steel panels.

- Clean the inside of the turn track.
- Wipe the outside of the turn track with a soft, damp cloth.

#### 4.3.2 Incorrect cleaning methods



NOTE: An incorrect cleaning method may damage the equipment. The following points must be observed:

- Do NOT use steel wool, as this will cause corrosion.
- The curve may not be washed using a pressure washer. Only use a hose for internal cleaning.

#### 4.3.3 Operating problems

When you contact service personnel, you will need to provide the following information:

- Type of equipment
- The dishwasher's serial number and installation date
- A brief description of the problem
- What happened to cause the problem

## 5. Technical information

The manufacturer reserves the right to make changes to the technical data.

Technical data		
	WD-BF90	WD-BF180
Weight excl. packaging (kg)	20	30
Basket size (mm)	500x500	500x500
Drain connection (mm)	50	50